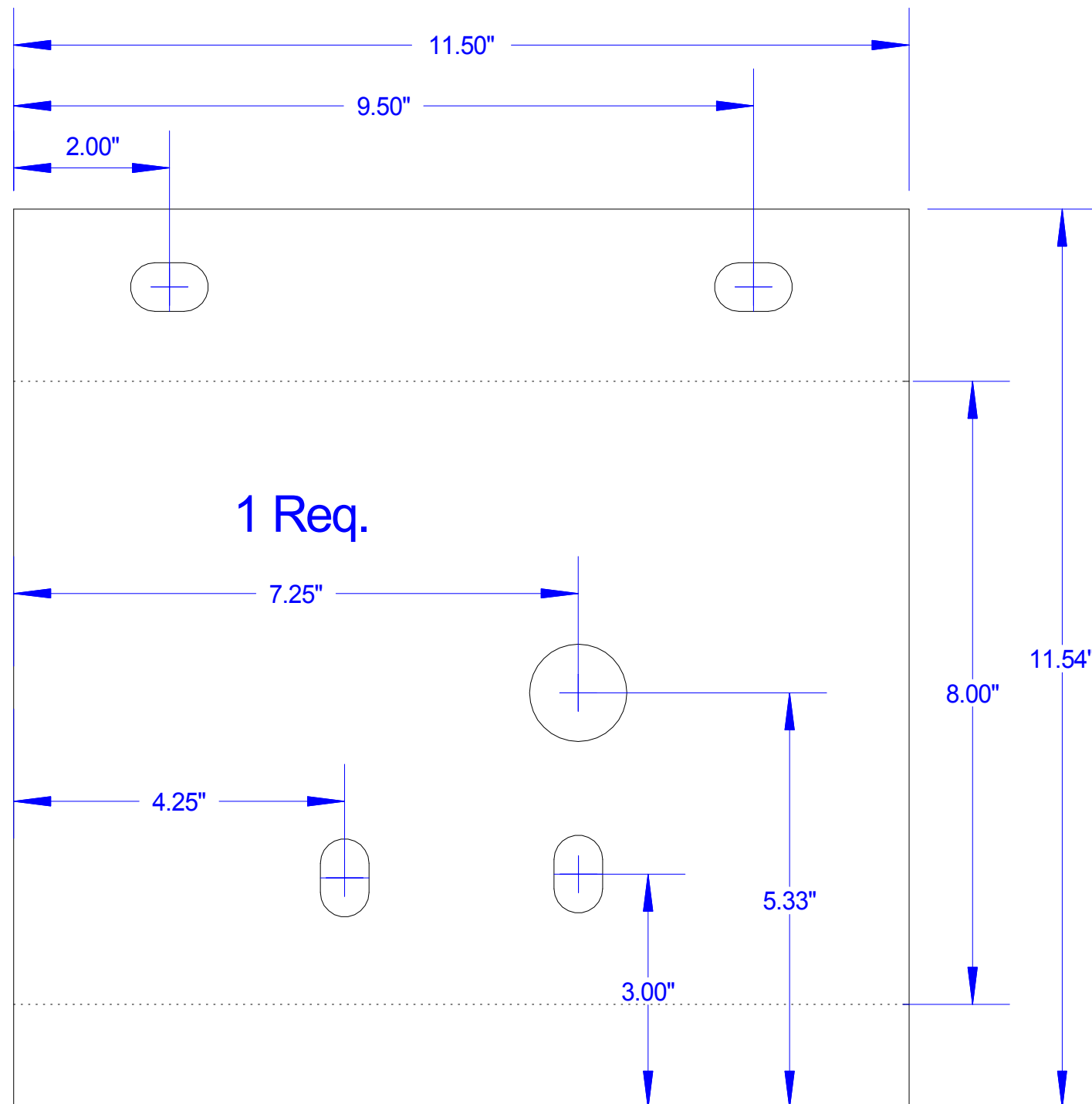
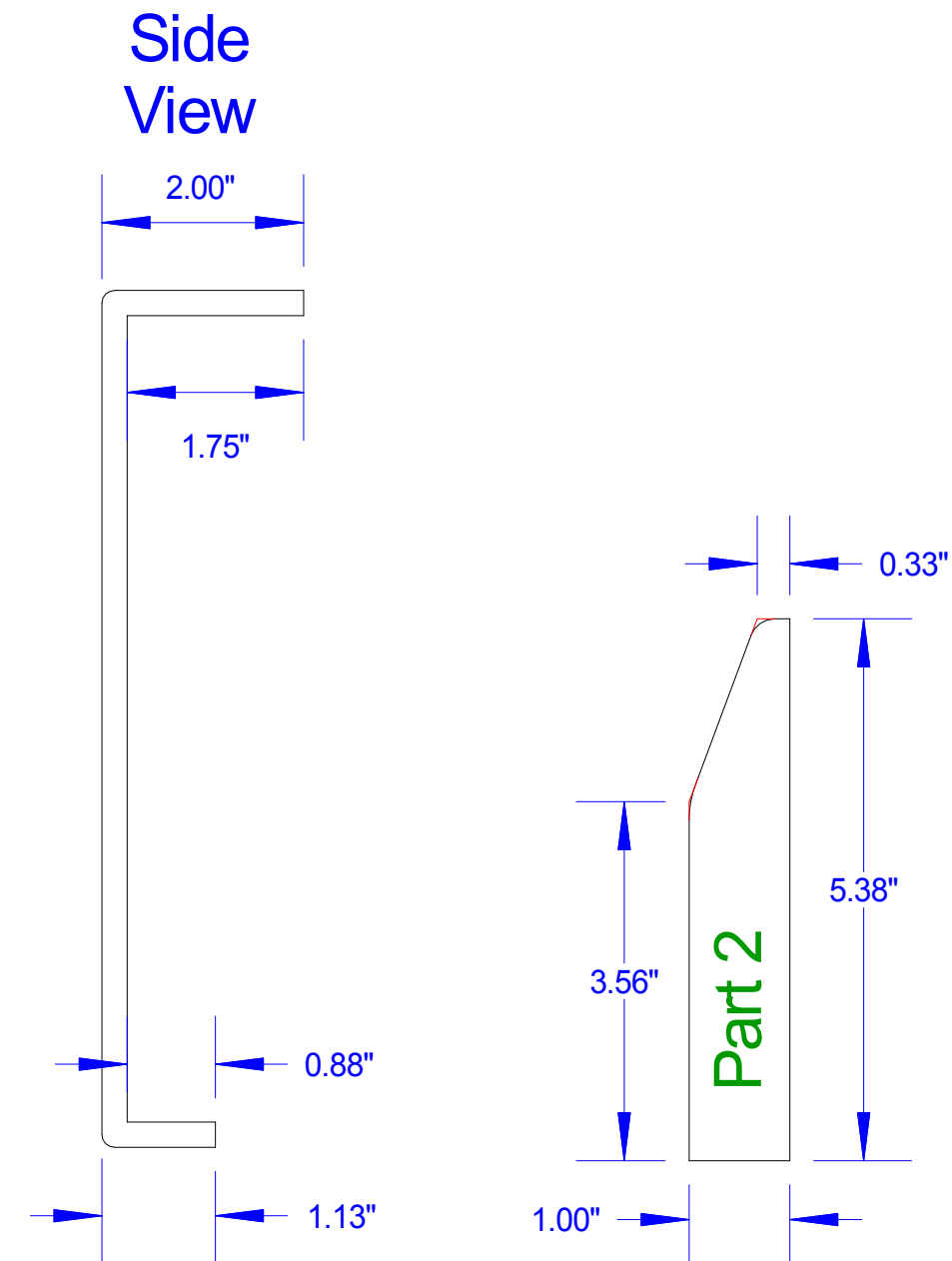


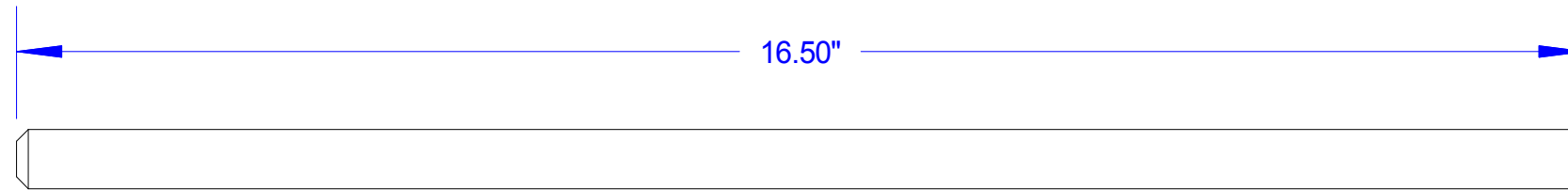
Use these dimensions as guidelines only create templates and test fit everything



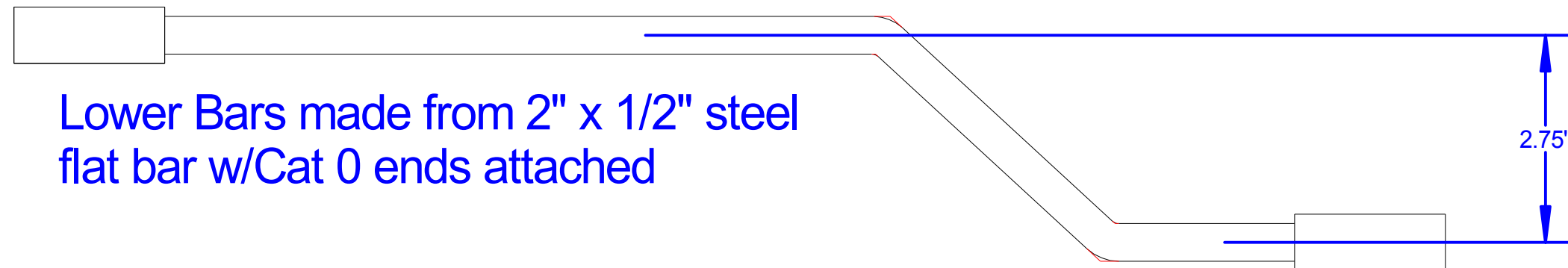
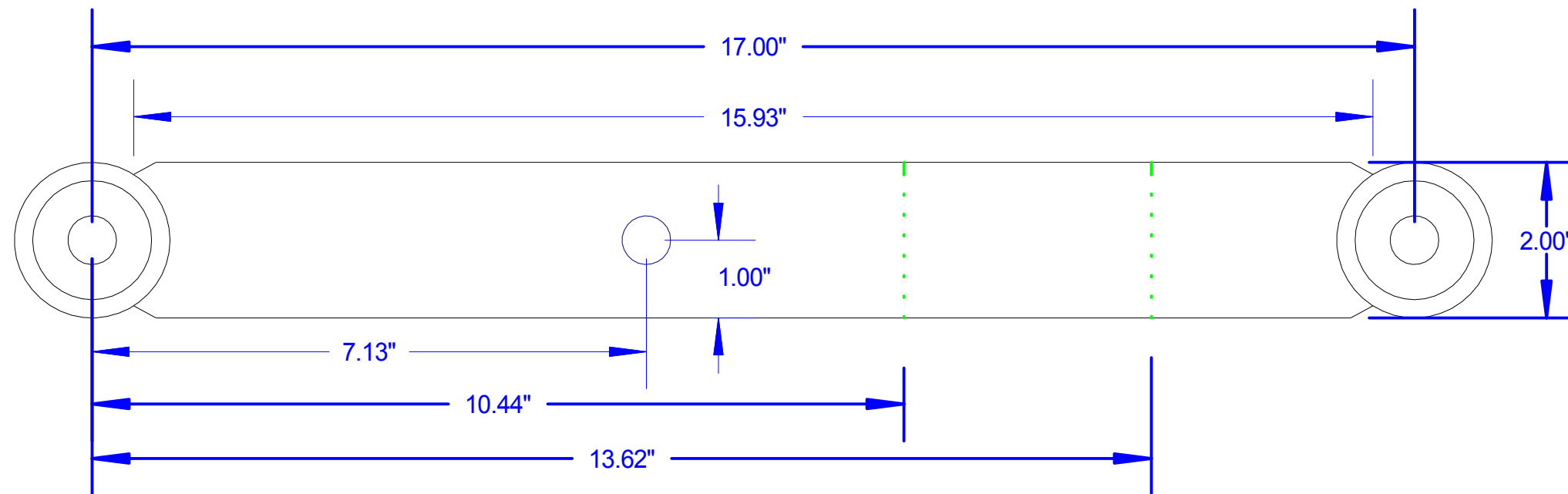
Items below made from 1/4" Plate



The lower lift arms have been bent in various configurations, this is just one of them

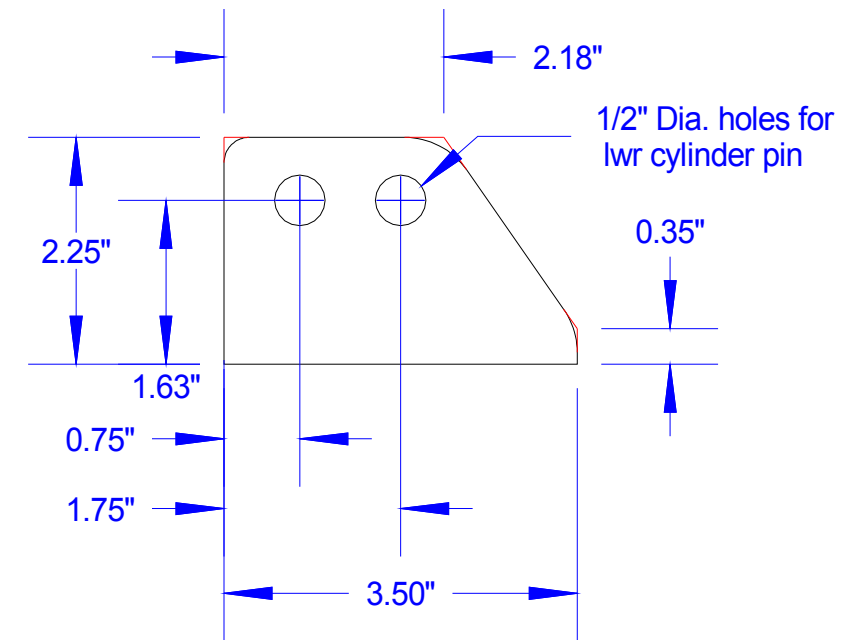
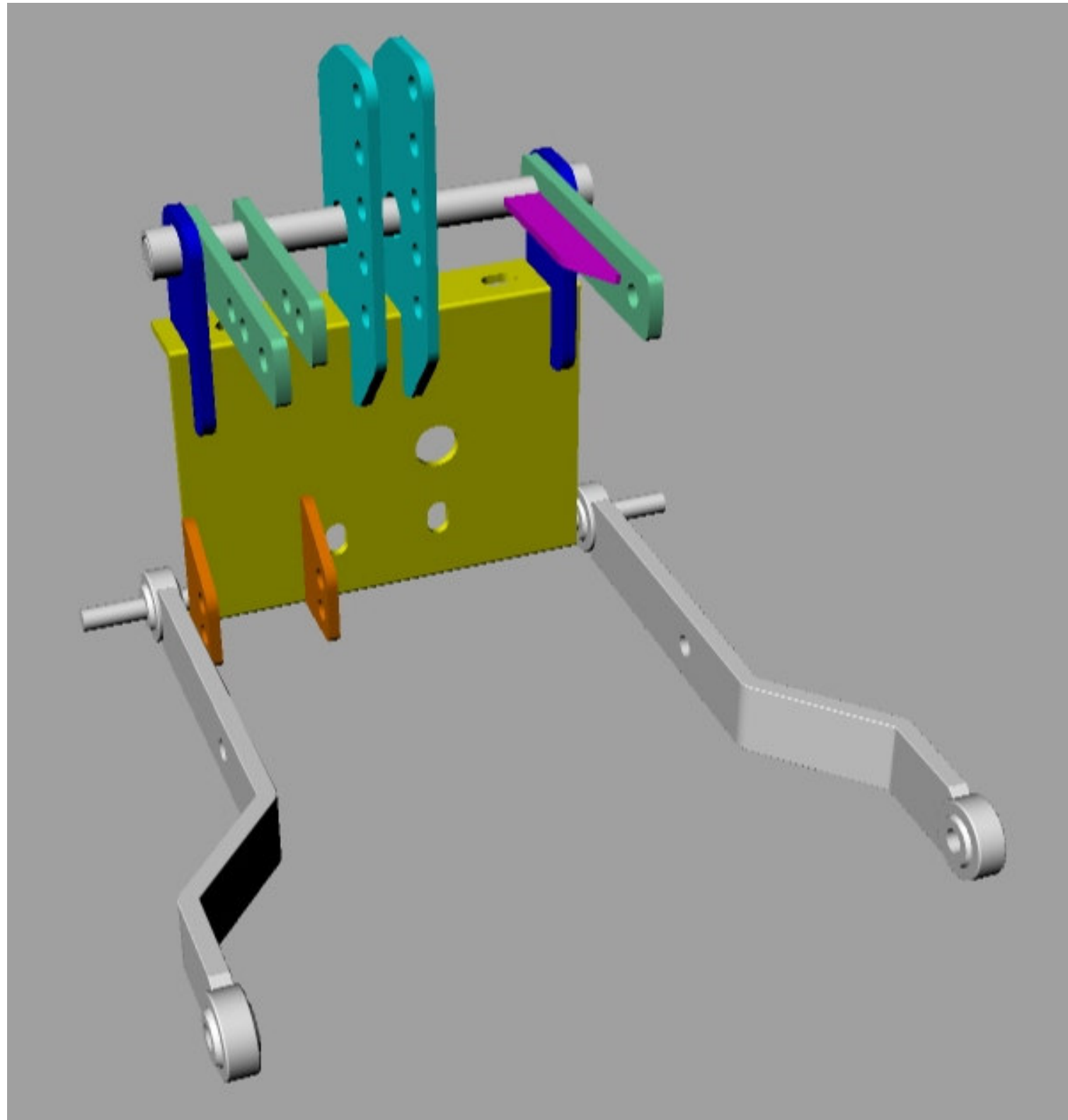


Lower Shaft 5/8" Dia. solid bar stock

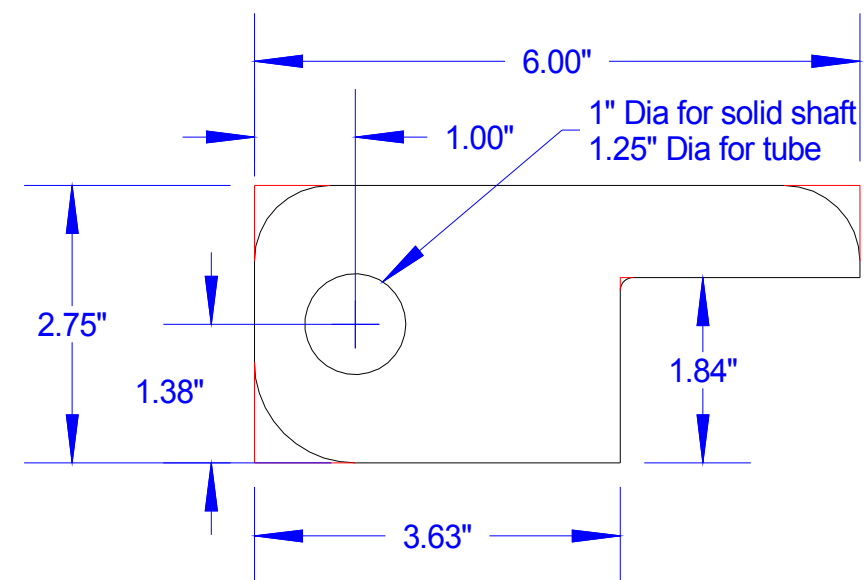


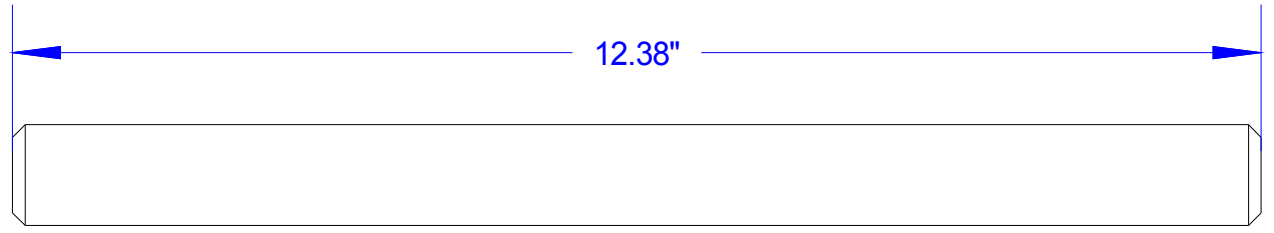
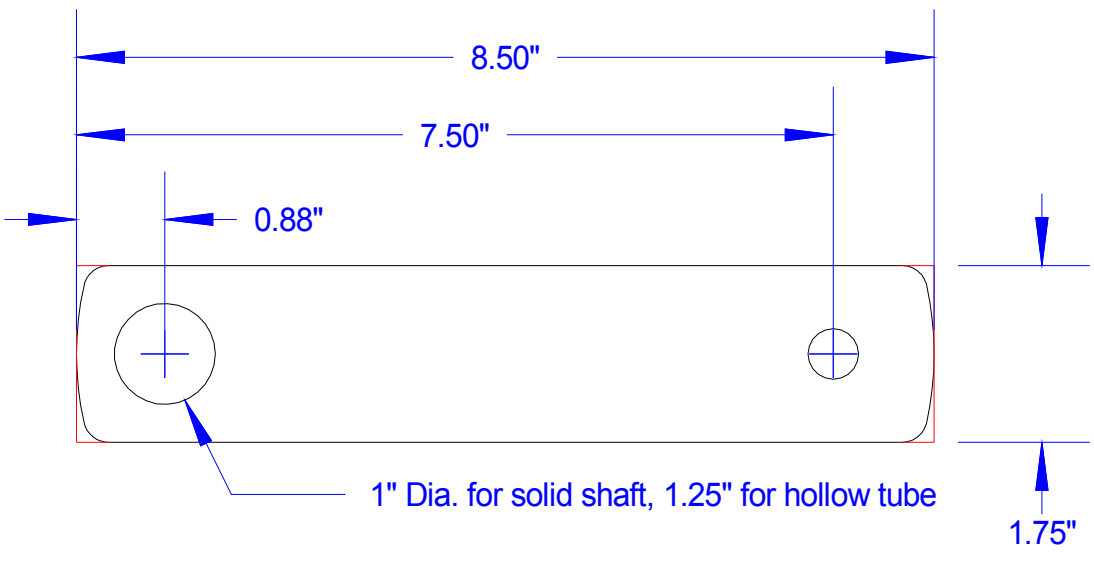
Lower Bars made from 2" x 1/2" steel flat bar w/Cat 0 ends attached

Component dimensions for Case 3 point hitch

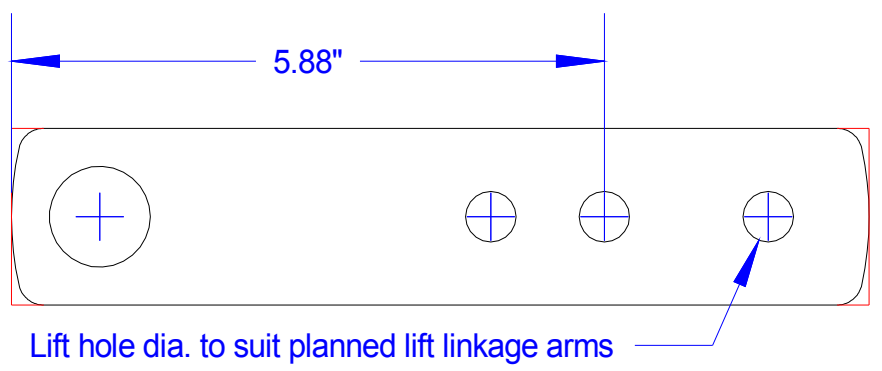


Original plate above only has lower hole for 4" travel cylinder - upper hole added for use of 3" travel cylinder if necessary

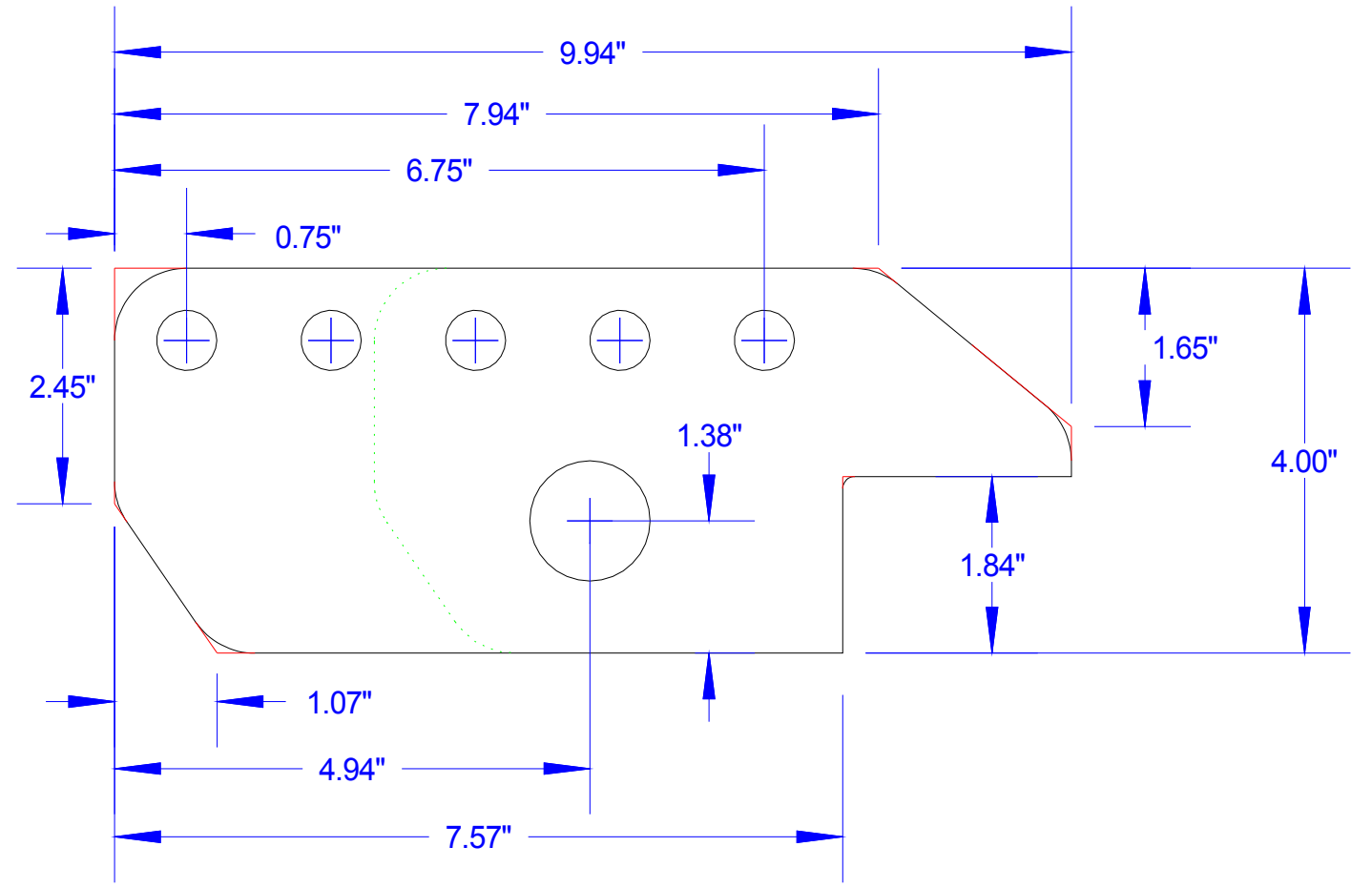
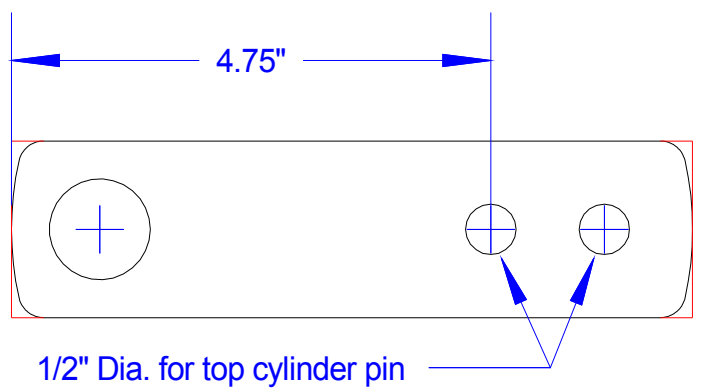




Upper Shaft 1" Dia. solid bar stock or 1.25" Dia. thick wall tube accordingly



Most components can be made from 1/4" plate - other thicknesses can be substituted if desired



Large Hole 1.125" Dia. for solid shaft, 1.312" Dia for tubing
 Small Holes .625" Dia. Equally spaced
 Green dotted line represents shorter option