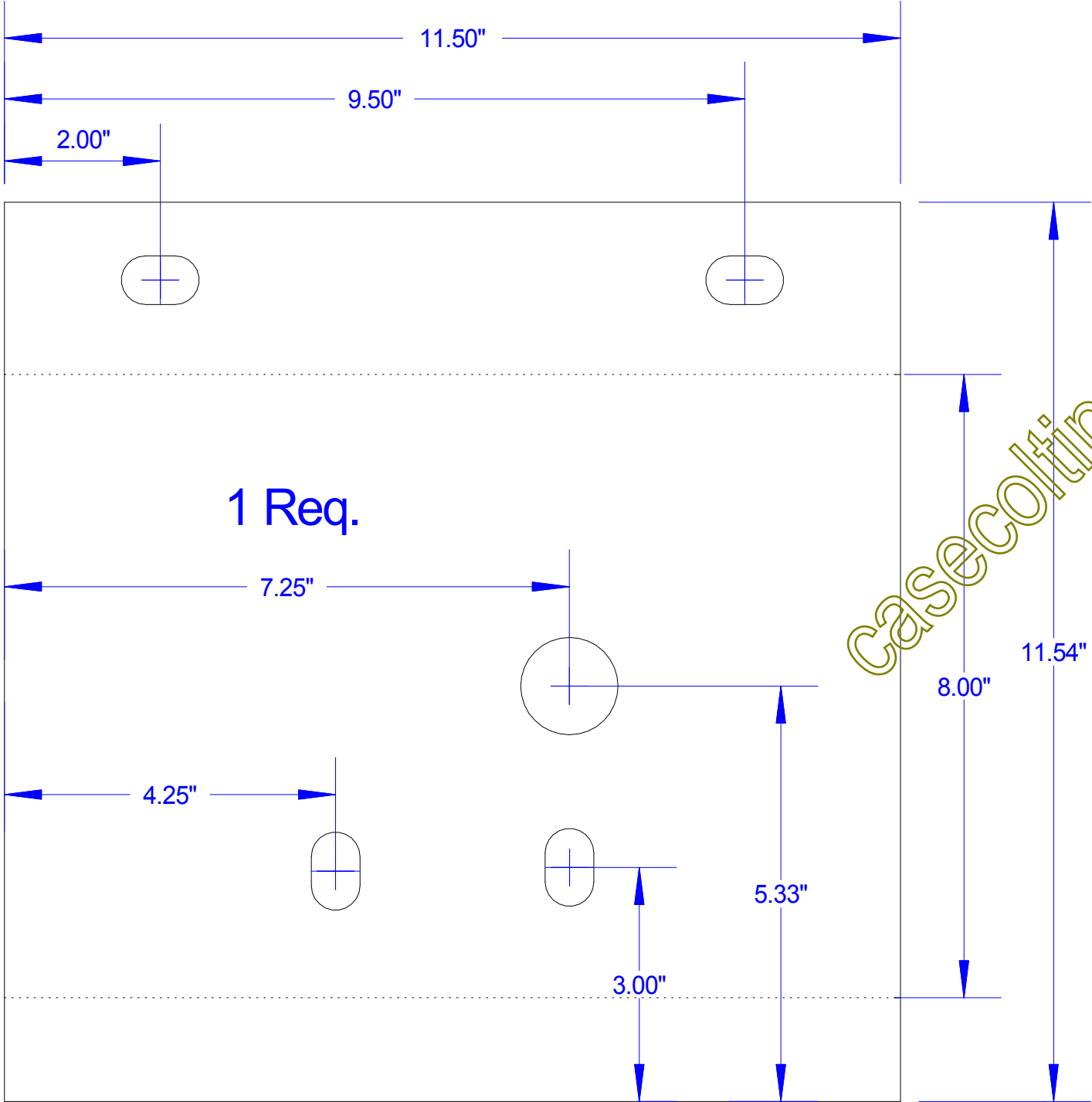
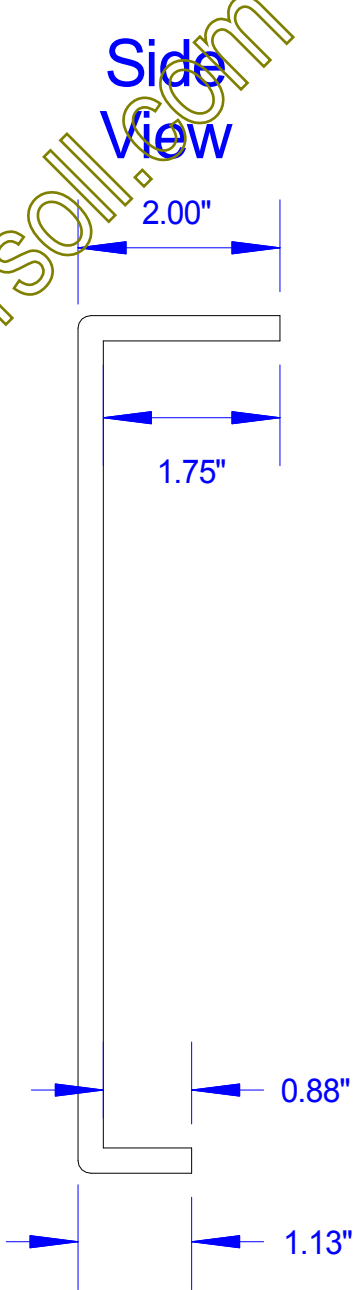


Use these dimensions as guidelines
create templates and test fit every

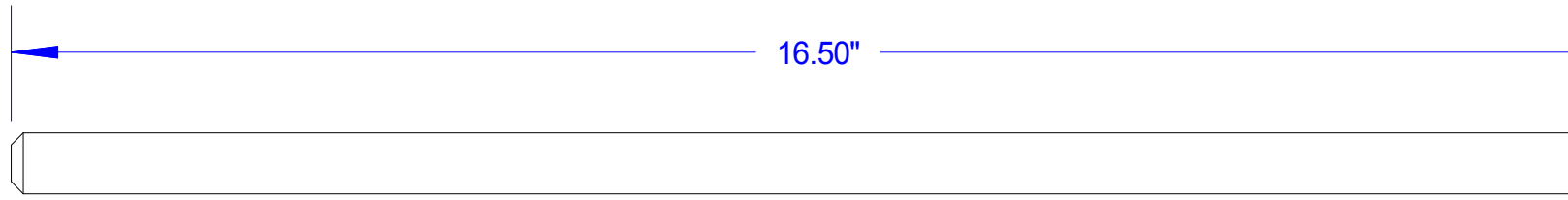


Items below ma

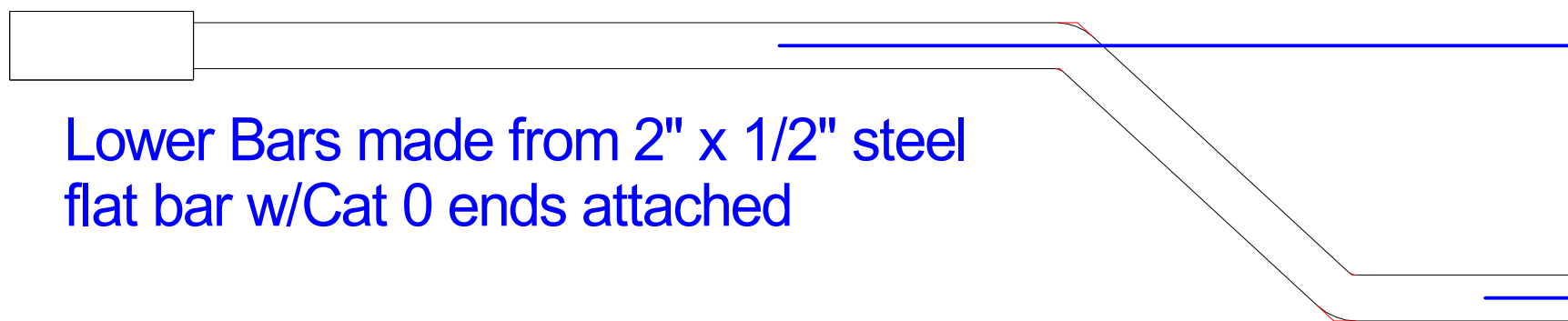
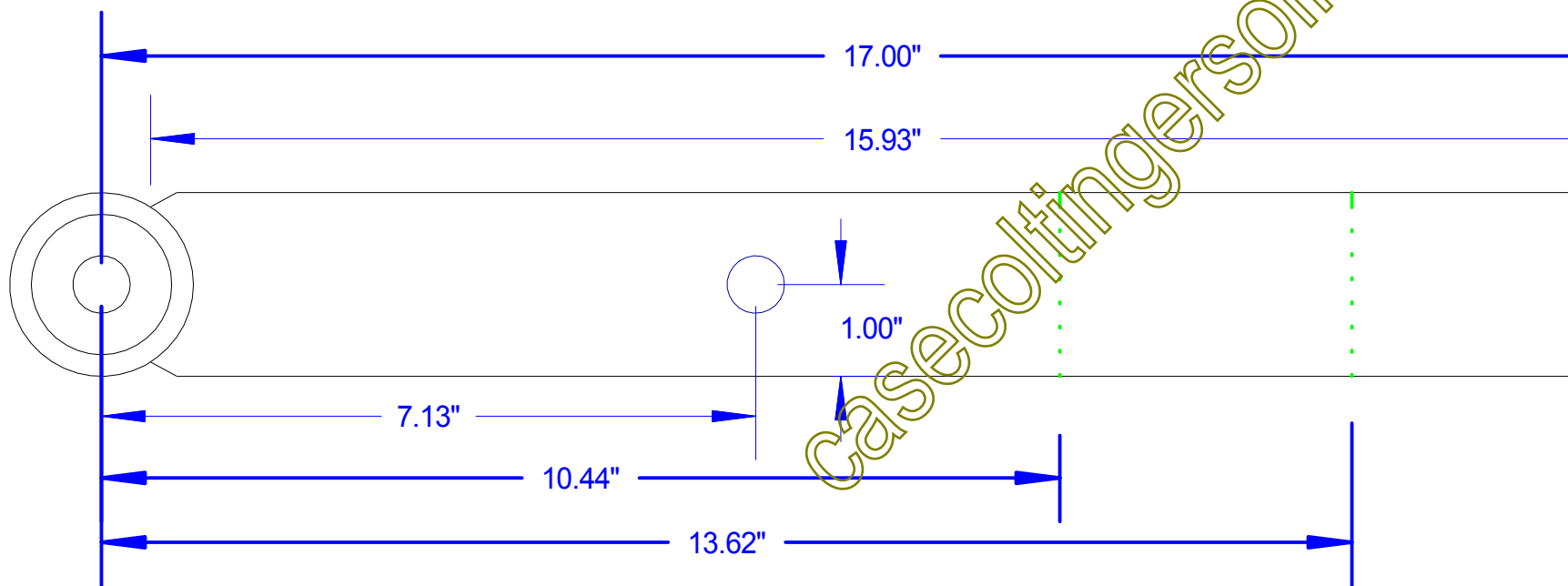


Casecolingersoll.com

The lower lift arms have been configurations, this is just one

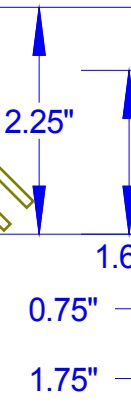
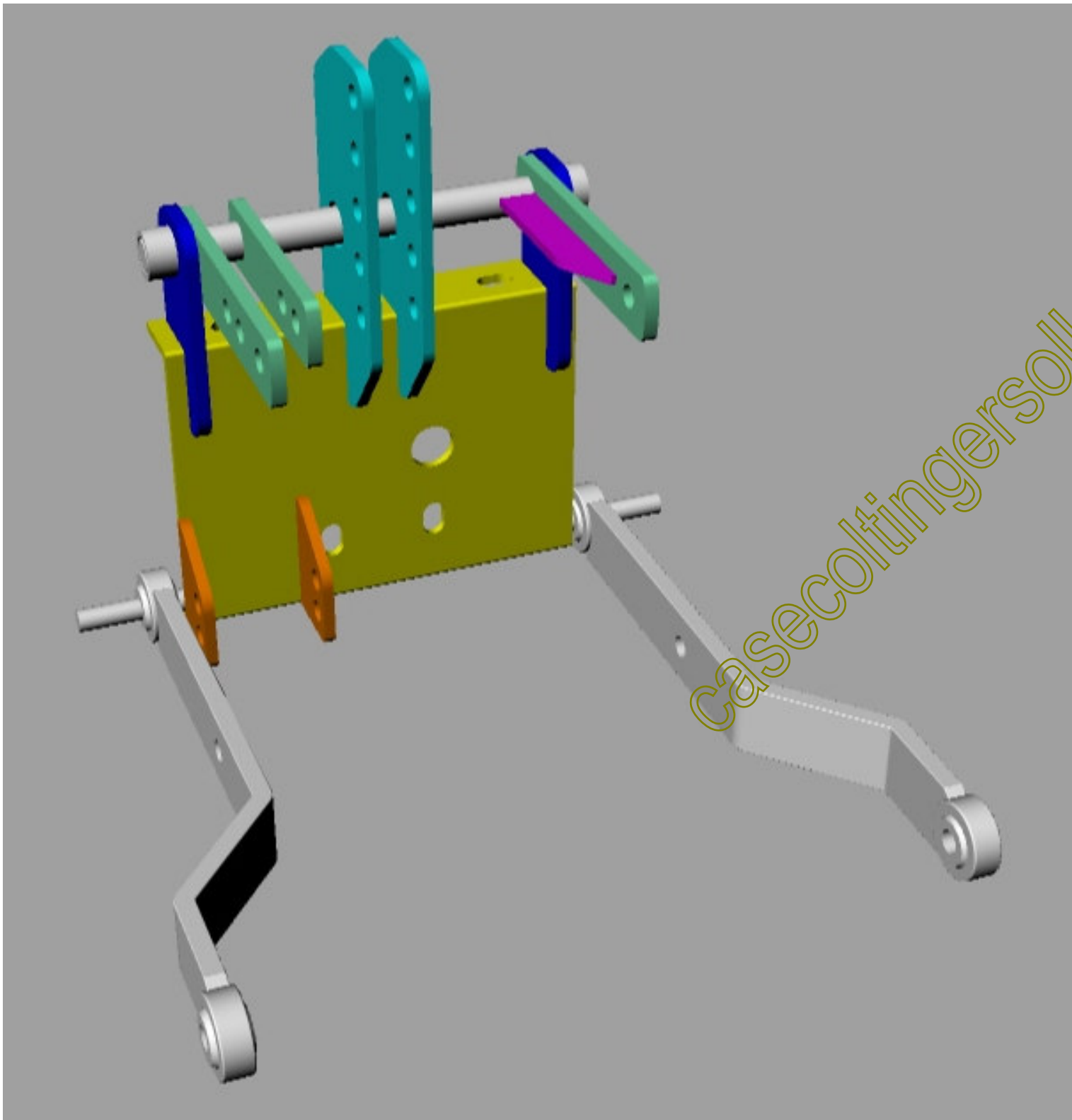


Lower Shaft 5/8" Dia. solid bar stock

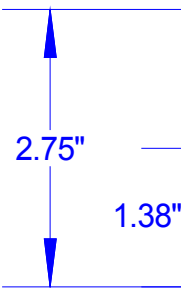


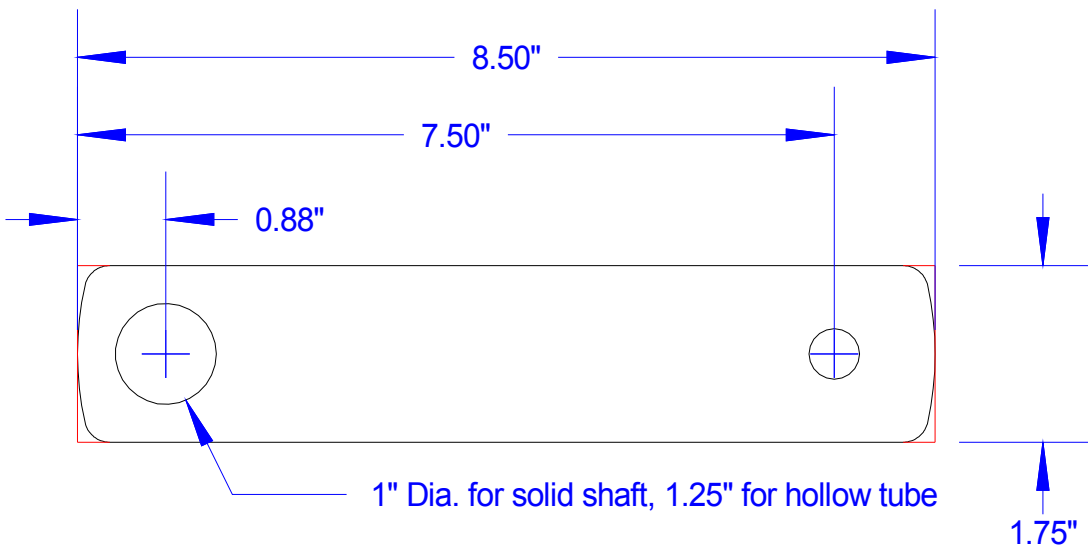
Lower Bars made from 2" x 1/2" steel flat bar w/Cat 0 ends attached

Component dimensions for Case 3

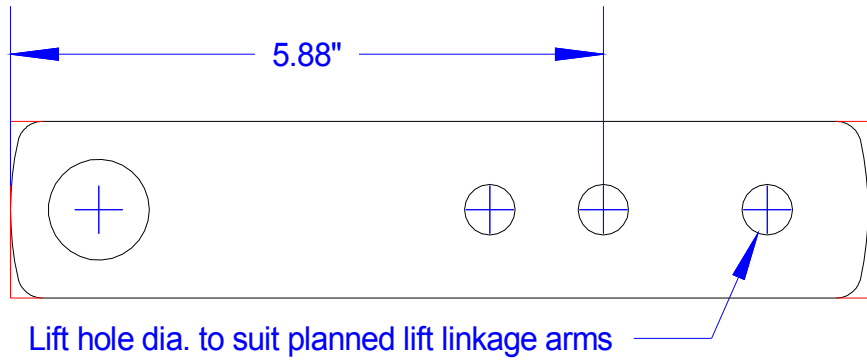


Original
for 4" t
for use





Upper Shaft
bar stock or
thick wall tube



Most components can be made
from 1/4" plate - other thicknesses
can be substituted if desired

