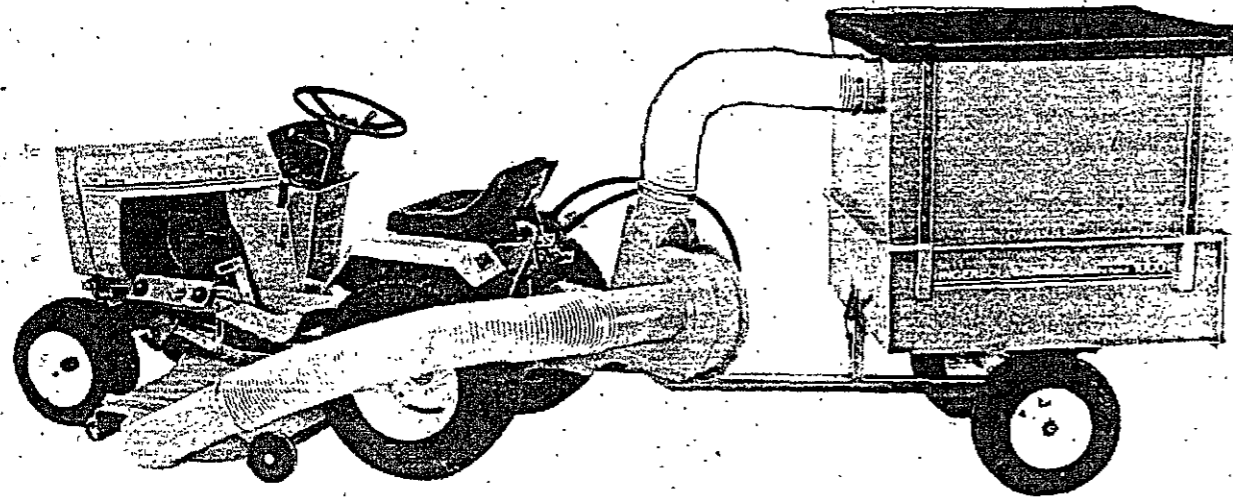
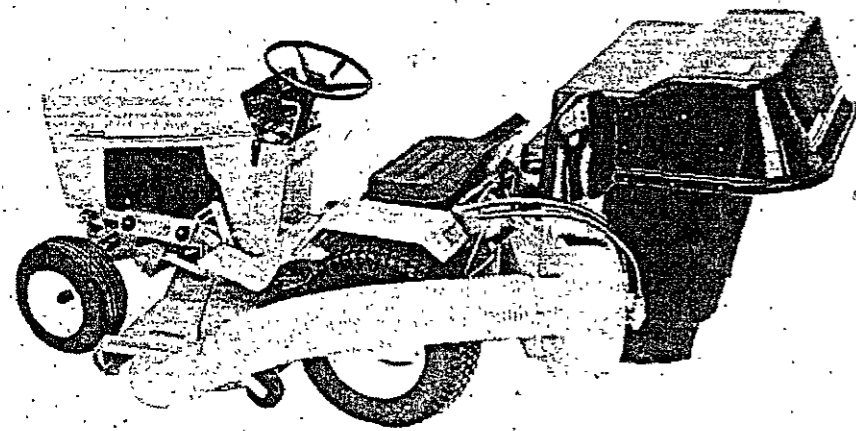


**HYDRAULIC BLOWER
B98, B98-3, B98-B
Parts Catalog 8-2962**

NOTE: This catalog replaces
Catalog 8-2961

4-90-RP-500-081



ALPHABETICAL INDEX

| | Page | Grid |
|-------------------------|------|--------|
| Bags | 11 | C10 |
| Boot | 7 | C6 |
| Cover, Bags | 11 | C10 |
| Cover, Cart | 9 | C8 |
| Decals | 15 | C14 |
| Ducts | 7 | C6 |
| Housing, Blower | 7 | C6 |
| Hydraulic System | 5 | C4 |
| Impellor | 5 | C4 |
| Motor, Hydraulic | 5-13 | C4-C12 |
| Mounting Brackets | 5 | C4 |
| Side Panels, Cart | 9 | C8 |
| Support, Bags | 11 | C10 |

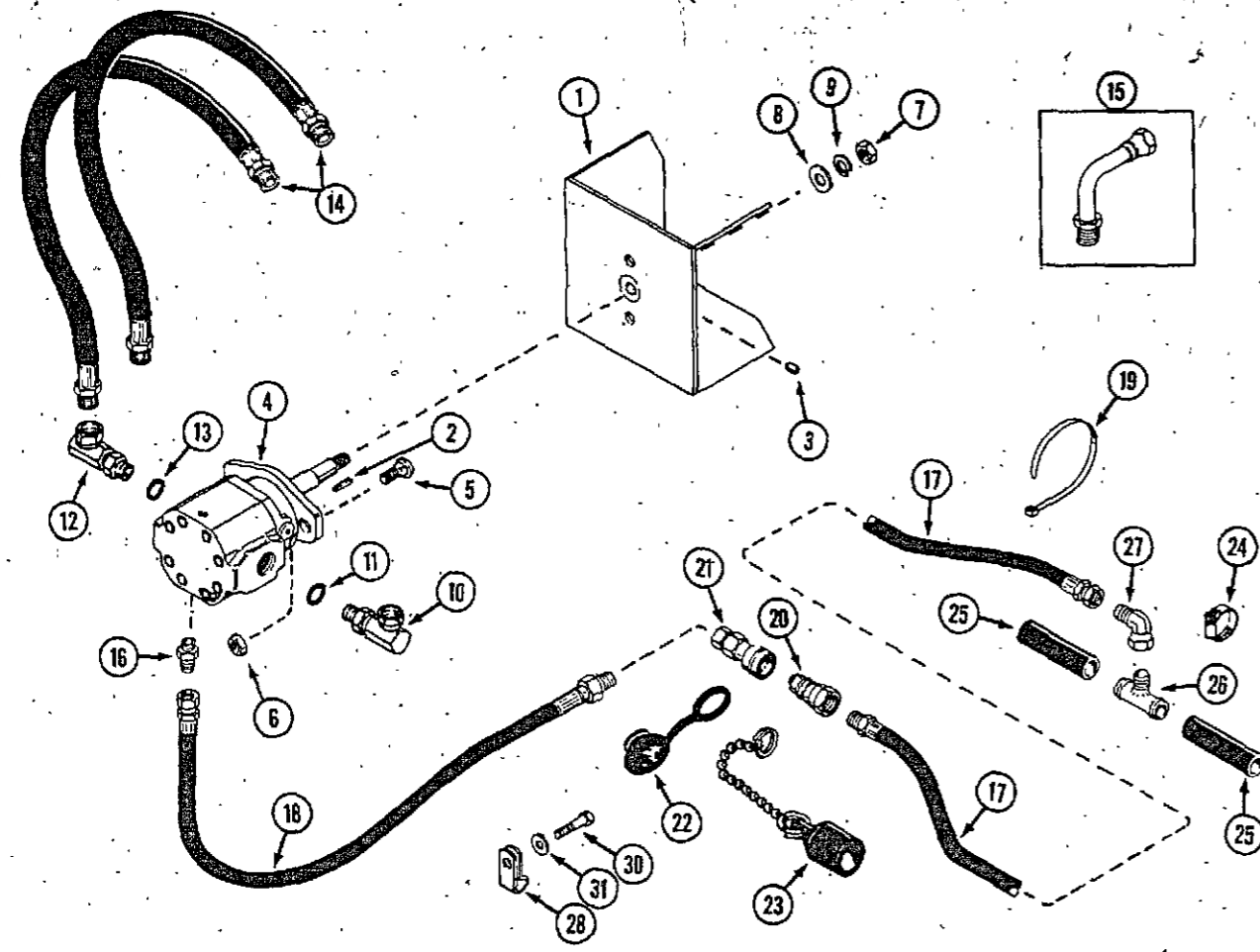
APPLICATION CHART

| TRACTOR | HYDRAULIC BLOWER | MOWER* | HYD. PTO ** | DUMP CART |
|---------------|----------------------|---------------|---------------|-------------------------------------|
| 224, 226 | B98, B98-B or B98-3† | N40, N44, N46 | J17, M17 | E, F, or G60 (Not used w/bagger) |
| 444, 446, 448 | B98, B98-B or B98-3† | N44, N46 | J17, L17, N17 | E, F or G60 (Not used w/bagger) |

* M, L, K and J series mowers require C28870 adaptor kit

** See your tractor parts catalog for correct PTO

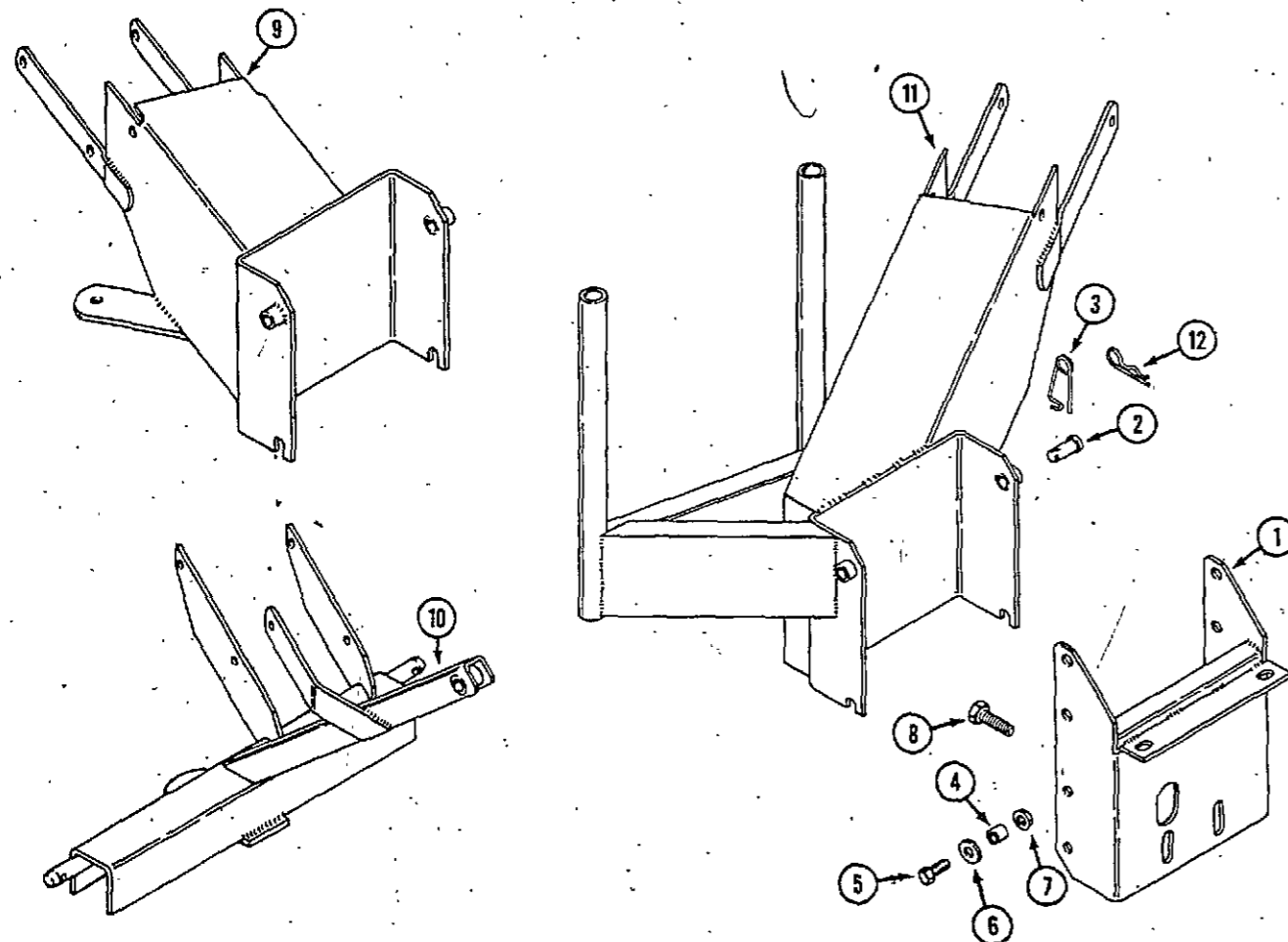
† Mounts on 3-point hitch



| REF. | PART NO. | DESCRIPTION | REQ'D |
|------|-----------|--|-------|
| 1 | C 28392 | IMPELLOR - blower | 1 |
| 2 | C 28215 | KEY - 3/16" square x 5/8" impeller | 1 |
| 3 | 83- 46 | SET SCREW - 1/4" - 20 | 2 |
| 4 | NSS+ | MOTOR - hydraulic (use C33127 kit) (repairs page 13) | 1 |
| 4 | C 33107++ | MOTOR - hydraulic (repairs page 13) | 1 |
| 5 | 111- 371 | BOLT - 3/8" - 16 x 1-1/4" carriage | 2 |
| 6 | 131- 938 | NUT - 3/8" - 16 flange lock | 2 |
| 7 | 129- 163 | NUT - 3/8" - 24 (torque to 20-25 ft. lb.) | 1 |
| 8 | 195- 525 | WASHER - 3/8" | 1 |
| 9 | 192- 21 | LOCKWASHER - 3/8" | 1 |
| 10 | 218- 5203 | FITTING - 90° swivel 3/4" - 16 "O" ring x 1/2" pipe (inlet) | 1 |
| 11 | 218- 5006 | "O" RING - fitting | 1 |
| 12 | 218- 5201 | FITTING - 90° swivel 7/8" - 14 "O" ring x 1/2" pipe (outlet) | 1 |
| 13 | 218- 5007 | "O" RING - fitting | 1 |
| 14 | C 28320 | HOSE - hydraulic (B98-B) | 2 |
| 14 | C 28398 | HOSE - hydraulic (B98, B98-3) | 2 |
| 15 | C 29882 | TUBE - extension (B98-B) | 2 |
| | 111- 340* | BOLT - 3/8" - 16 x 3/4" carriage | 1 |
| | 131- 938* | NUT - 3/8" - 16 flange lock | 1 |
| | C 33127 | KIT - hydraulic motor with case drain (includes motor) | 1 |
| 16 | 218- 5053 | FITTING - 3/16" - 20 straight x 7/16" - 20, 37° flare | 1 |
| 17 | C 33202 | HOSE - return, front | 1 |
| 18 | C 33203 | HOSE - return, rear | 1 |
| 19 | C 22947 | TIE - nylon | 3 |
| 20 | C 27713 | COUPLING - male | 1 |
| 21 | C 27714 | COUPLING - female | 1 |
| 22 | C 27715 | PLUG - dust | 1 |
| 23 | C 27716 | CAP - dust | 1 |
| 24 | 214- 254 | CLAMP - hose 11/16" x 1-1/4" | 4 |
| 25 | NSS | HOSE - hydraulic 4" (use C29697 cut to length) | 2 |
| 26 | C 33204 | TEE - return | 1 |
| 27 | 218- 980 | FITTING - 90°swivel | 1 |
| 28 | C 33125 | CLAMP - tube | 1 |
| 29 | NSS | TRIM - strip 4" (use C33274 cut to length) | 1 |
| 30 | 113- 132 | BOLT - 1/4" - 20 x 1-3/4" (use if req. to mount tube clamp) | 1 |
| 31 | 195- 518 | WASHER - 1/4" (use if req. to mount tube clamp) | 1 |

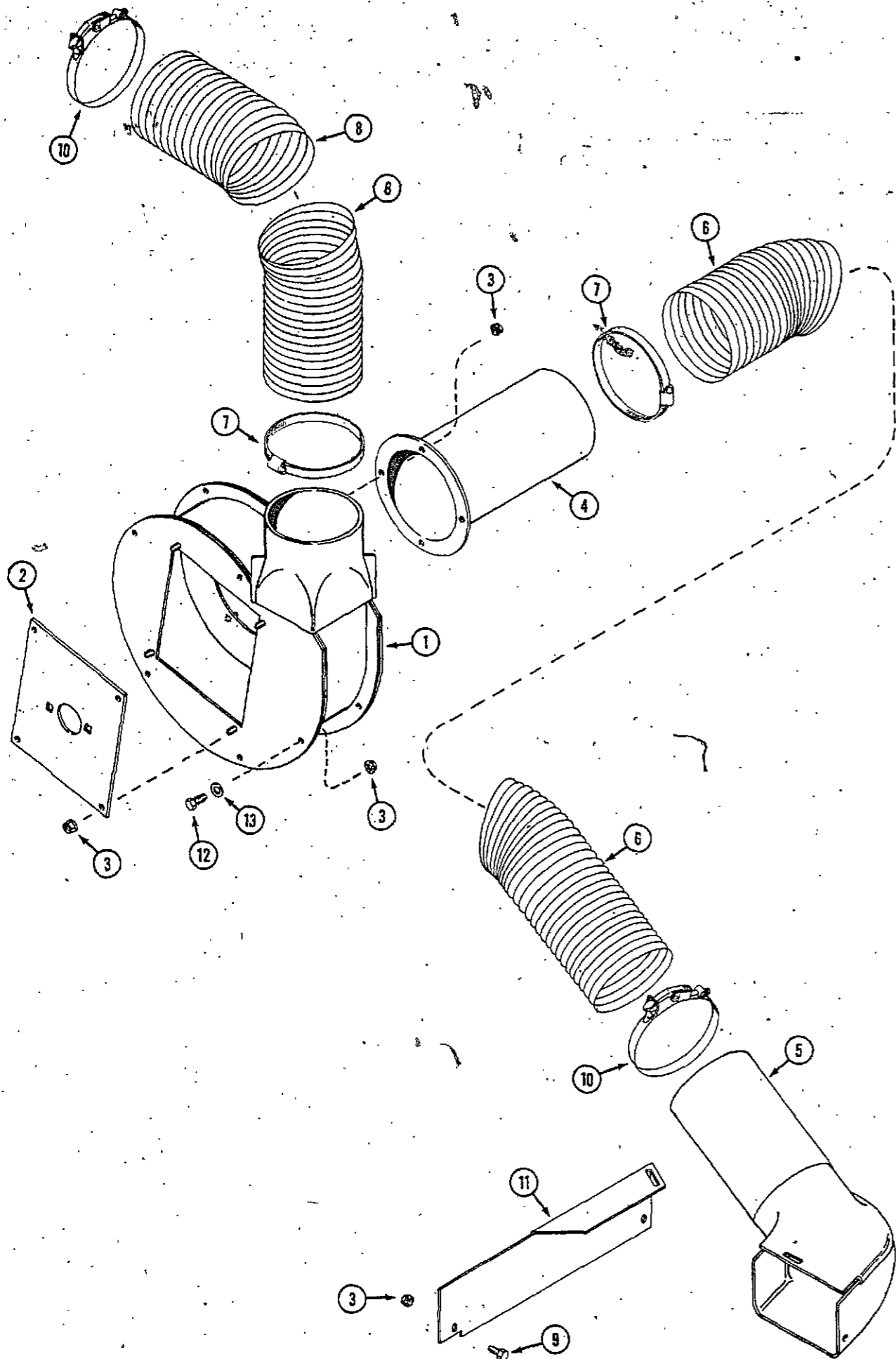
* use in PTO Bracket to prevent reverse handle operation

+ use before S/N:
++ use S/N and after:
B98 BF15296
B98-3 BK10982
B98B CA21505



ADAPTER AND MOUNTING BRACKET

| | | | |
|----|----------|--|---|
| 1 | C 29916 | BRACKET - tractor adapter (B98-B) shown | 1 |
| 1 | NSS | BRACKET - tractor adapter (B98) (use C29916) | 1 |
| 2 | 141- 56 | PIN - clevis 1/2" x 1-3/8" | 2 |
| 3 | C 10898 | PIN - safety | 2 |
| 4 | C 14768 | SPACER | 2 |
| 5 | 113- 208 | BOLT - 3/8" - 16 x 1-1/4" | 2 |
| 6 | 195- 525 | WASHER - 3/8" | 2 |
| 7 | 131- 938 | NUT - 3/8" - 16 flange | 2 |
| 8 | 113- 417 | BOLT - 1/2" - 13 x 1-1/4" | 2 |
| 9 | C 28400 | BRACKET - mounting (B98) | 1 |
| 10 | C 29057 | BRACKET - mounting (B98-3) | 1 |
| 11 | C 29885 | BRACKET - mounting (B98-B) | 1 |
| 12 | C 29029 | PIN - cotter hair pin (B98-B) | 2 |



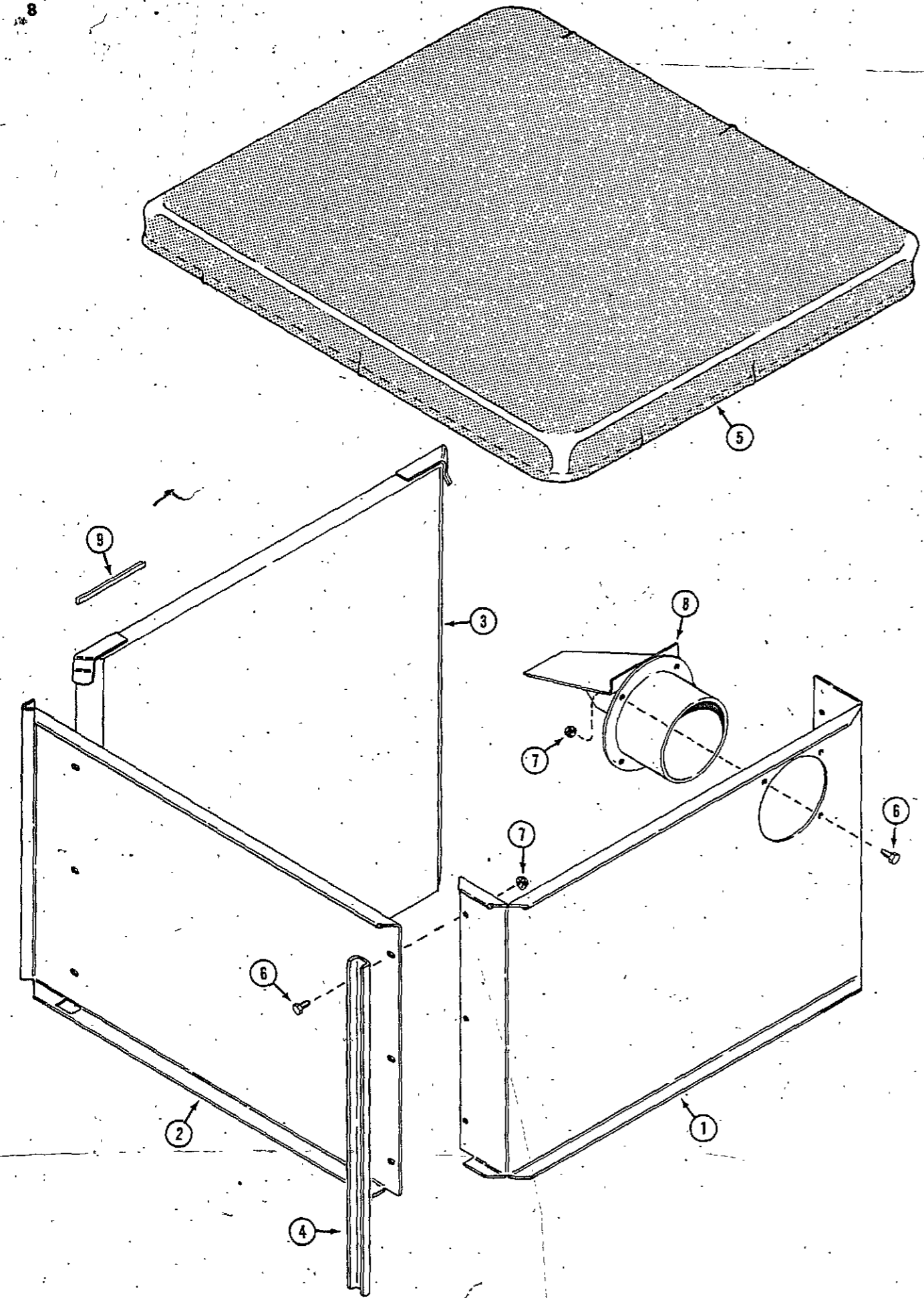
**B98, B98-3 AND B98-B HYDRAULIC BLOWER
BLOWER HOUSING, DUCTS AND TUBES**

| REF. | PART NO. | DESCRIPTION | REQ'D |
|------|-----------|--|-------|
| 1 | C 28387 | HOUSING - blower | 1 |
| 2 | C 28396 | PLATE - motor mounting | 1 |
| 3 | 131- 911 | NUT - 5/16" - 18 flange lock | 16 |
| 4 | C 28405 | DUCT - blower inlet (B98, B98-3) shown | 1 |
| 4 | C 29890 | DUCT - blower inlet (B98-B) | 1 |
| 5 | C 28408 | BOOT - mower | 1 |
| 6 | C 30266 | CHUTE - blower intake 45" to 48" | 1 |
| 7 | 214- 277 | CLAMP - chute, worm drive | UAR |
| 8 | NSS | CHUTE - blower discharge (use C30266) | 1 |
| 9 | 113- 102 | BOLT - 5/16" - 18 x 3/4" | 2 |
| 10 | C 28413 | CLAMP - chute | UAR |
| 11 | C 28411 | BAFFLE - mower | 1 |
| 12 | 113- 103 | BOLT - 5/16" - 18 x 1 | 6 |
| 13 | 195- 2175 | WASHER - .344" x 1.25" | 4 |

CART ENCLOSURE

For B98, B98-3

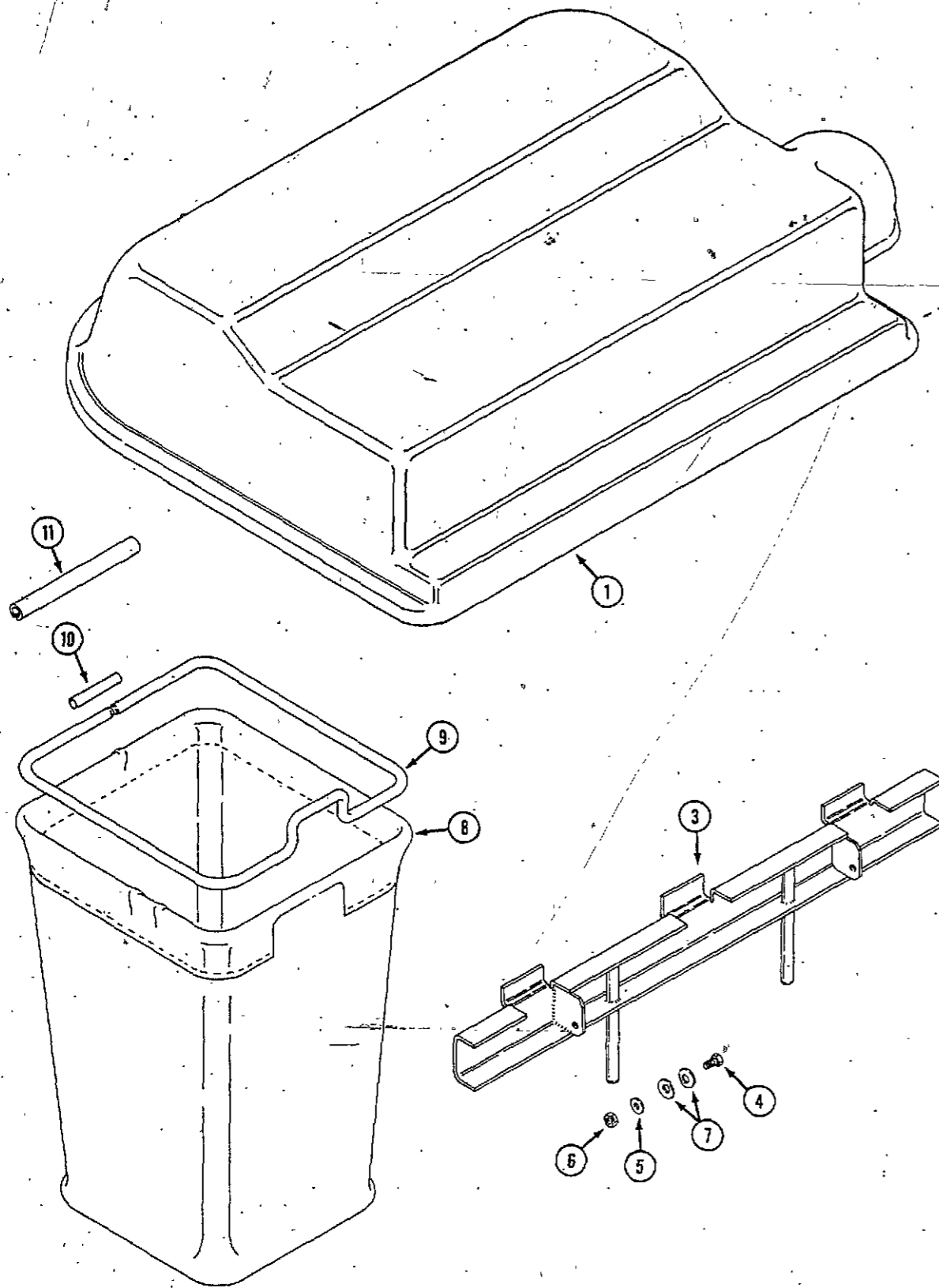
| REF. | PART NO. | DESCRIPTION | REQ'D |
|------|----------|------------------------------|-------|
| 1 | C 28417 | PANEL - front | 1 |
| 2 | C 28418 | PANEL - side L.H. | 1 |
| 2 | C 28419 | PANEL - side R.H. (shown) | 1 |
| 3 | C 32414 | TAILGATE | 1 |
| 4 | C 28420 | CHANNEL - support | 4 |
| 5 | C 30102 | COVER - cart | 1 |
| 6 | 113- 102 | BOLT - 5/16" - 18 x 3/4" | 15 |
| 7 | 131- 911 | NUT - 5/16" - 18 flange lock | 15 |
| 8 | C 28414 | DEFLECTOR - debris | 1 |
| 9 | C 33274 | TRIM - strip | 2 |

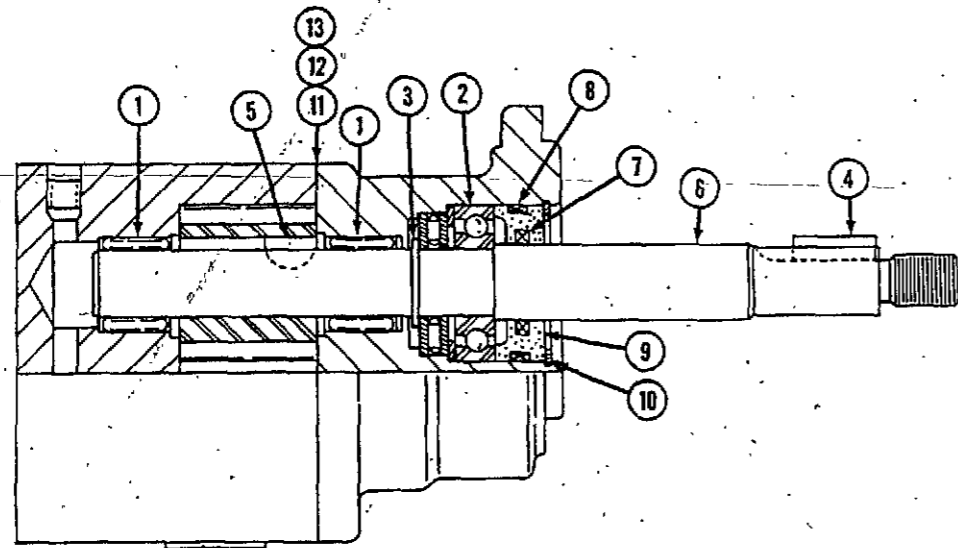


**B98, B98-3 AND B98-B HYDRAULIC BLOWER
BAGS, COVER AND SUPPORT FRAME**

For B98-B

| REF. | PART NO. | DESCRIPTION | REQ'D |
|------|----------|----------------------------|-------|
| 1 | C 29900 | COVER - bagger | 1 |
| 2 | 151- 539 | RIVET - pop | UAR |
| 3 | C 29891 | FRAME - support | 1 |
| 4 | 113- 103 | BOLT - 5/16" - 18 x 1" | 2 |
| 5 | 195- 521 | WASHER - 5/16" | 2 |
| 6 | 131- 176 | NUT - 5/16" - 18 lock | 2 |
| 7 | C 25114 | SPRING WASHER - Belleville | 4 |
| 8 | C 28438 | BAG | 3 |
| 9 | C 29897 | ROD - bag reinforcement | 3 |
| 10 | C 28440 | TUBE - connector | 3 |
| 11 | C 32400 | GUARD - bag | 3 |





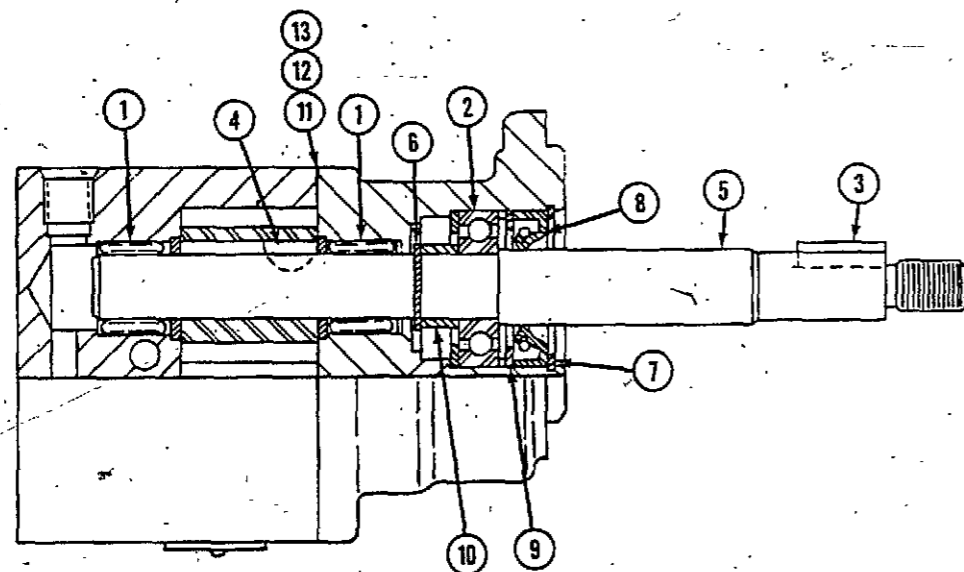
**B98, B98-3, B98B HYDRAULIC BLOWER
HYDRAULIC MOTOR**

Use Before S/N:
B998 - BF 15296
B98-3 - BK 10982
B98B - CA 21505

| REF. | PART NO. | DESCRIPTION | REQ'D |
|------|----------|------------------------------------|-------|
| | NSS | MOTOR - hydraulic (use C33127 kit) | 1 |
| 1 | C 33292 | BEARING - needle | 4 |
| 2 | C 33293 | BEARING - ball | 1 |
| | C 33303 | KIT - shaft repair | 1 |
| 3 | NSS | RING - snap 1/2" external | 1 |
| 4 | C 28215 | KEY - square 3/16" | 1 |
| 5 | 126- 6 | KEY - woodruff 1/8" x 3/8" | 1 |
| 6 | NSS | SHAFT - hydraulic motor | 1 |
| | C 33304 | KIT - seal | 1 |
| 7 | NSS | "O" RING - internal | 1 |
| 8 | NSS | "O" RING - external | 1 |
| 9 | NSS | RETAINER - seal | 1 |
| 10 | NSS | RING - snap 1-1/8" internal | 1 |
| 11 | NSS | GASKET - body .00050" (silver) | UAR |
| 12 | NSS | GASKET - body .00075" (gold) | UAR |
| 13 | NSS | GASKET - body .00100" (amber) | UAR |

HYDRAULIC MOTOR

Use S/N and after:
B98 - BF 15296
B98-3 - BK 10982
B98B - CA 21505



| | | | |
|----|---------|--------------------------------|-----|
| | C 33107 | MOTOR - hydraulic | 1 |
| 1 | C 33292 | BEARING - needle | 4 |
| 2 | C 33293 | BEARING - ball | 1 |
| | C 33301 | KIT - shaft repair | 1 |
| 3 | C 28215 | KEY - square 3/16" | 1 |
| 4 | 126- 6 | KEY - woodruff 1/8" x 3/8" | 1 |
| 5 | NSS | SHAFT - hydraulic motor | 1 |
| 6 | NSS | RING - snap 1/2" external | 1 |
| | C 33302 | KIT - seal | 1 |
| 7 | NSS | RING - snap 1-1/8" internal | 1 |
| 8 | NSS | SEAL - oil | 1 |
| 9 | NSS | SPACER - seal | 1 |
| 10 | NSS | SPACER - bearing | 1 |
| 11 | NSS | GASKET - body .00050" (silver) | UAR |
| 12 | NSS | GASKET - body .00075" (gold) | UAR |
| 13 | NSS | GASKET - body .00100" (amber) | UAR |

⁵
INGERSOLL

⁶
hydravac™



⁷
hydrabagger™

⚠ WARNING
FLYING DEBRIS
OPERATE MOWER ONLY
WITH DISCHARGE CHUTE
GUARD/COVER OR COMPLETE
GRASS CATCHER IN PLACE.
DEBRIS MAY CAUSE INJURY

²

⚠ CAUTION
FLYING DEBRIS
1. DO NOT RAISE COVER WHILE OPERATING
2. PROPERLY INSTALL BAGGER AND CHUTE
BEFORE STARTING MOWER. SEE OPER-
ATOR'S MANUAL FOR FURTHER
INSTRUCTIONS

³

⚠ DANGER
SPINNING BLADE
SEE OPERATOR'S MANUAL BEFORE
ATTEMPTING TO CLEAR PLUGGED
DISCHARGE CHUTE.
CONTACT WITH BLADE CAN RESULT IN
SERIOUS INJURY.

¹

**B98, B98-3 AND B98-B HYDRAULIC BLOWER
DECALS**

| REF. | PART NO. | DESCRIPTION | REQ'D |
|------|----------|--|-------|
| 1 | C 31089 | DECAL - "Spinning Blade" | UAR |
| 2 | C 31086 | DECAL - "Flying Debris" | 1 |
| 3 | C 31088 | DECAL - "Flying Debris" | 1 |
| 4 | NSS | DECAL - strip (use C31328 cut to length) | 1 |
| 5 | NSS | DECAL - "Ingersoll" shown (use C31989) | 1 |
| 6 | NSS | DECAL - "hydravac" (no longer available) | 1 |
| 7 | C 29910 | DECAL - "hydrabagger" | 1 |

NUMERICAL INDEX

| PART NO. | PAGE NO. | REF. NO. | PART NO. | PAGE NO. | REF. NO. |
|----------|----------|----------|----------|----------|----------|
| C10898 | 5 | 3 | 113- 132 | 5 | 30 |
| C14768 | 5 | 4 | 113- 208 | 5 | 5 |
| C22947 | 5 | 19 | 113- 417 | 5 | 8 |
| C25114 | 11 | 7 | 126- 6 | 13 | 5 |
| C27713 | 5 | 20 | 126- 6 | 13 | 4 |
| C27714 | 5 | 21 | 129- 163 | 5 | 7 |
| C27715 | 5 | 22 | 131- 176 | 11 | 6 |
| C27716 | 5 | 23 | 131- 911 | 7 | 3 |
| C28215 | 5 | 2 | 131- 911 | 9 | 7 |
| C28215 | 13 | 4 | 131- 938 | 5 | 6 |
| C28215 | 13 | 3 | 131- 938 | 5 | 5 |
| C28320 | 5 | 14 | 131- 938 | 5 | 7 |
| C28387 | 7 | 1 | 141- 56 | 5 | 2 |
| C28392 | 5 | 1 | 151- 539 | 11 | 2 |
| C28396 | 7 | 2 | 192- 21 | 5 | 9 |
| C28398 | 5 | 14 | 195- 512 | 11 | 5 |
| C28400 | 5 | 9 | 195- 518 | 5 | 31 |
| C28405 | 7 | 4 | 195- 525 | 5 | 8 |
| C28408 | 7 | 5 | 195- 525 | 5 | 6 |
| C28411 | 7 | 11 | 195-2175 | 7 | 13 |
| C28413 | 7 | 10 | 214- 254 | 5 | 24 |
| C28414 | 9 | 8 | 214- 277 | 7 | 7 |
| C28417 | 9 | 1 | 218- 980 | 5 | 27 |
| C28418 | 9 | 2 | 218-5006 | 5 | 11 |
| C28419 | 9 | 2 | 218-5007 | 5 | 13 |
| C28420 | 9 | 4 | 218-5053 | 5 | 16 |
| C28438 | 11 | 8 | 218-5201 | 5 | 12 |
| C28440 | 11 | 10 | 218-5203 | 5 | 10 |
| C29029 | 5 | 12 | | | |
| C29057 | 5 | 10 | | | |
| C29882 | 5 | 15 | | | |
| C29885 | 5 | 11 | | | |
| C29890 | 7 | 4 | | | |
| C29891 | 11 | 3 | | | |
| C29897 | 11 | 9 | | | |
| C29900 | 11 | 1 | | | |
| C29910 | 15 | 7 | | | |
| C29916 | 5 | 1 | | | |
| C30102 | 9 | 5 | | | |
| C30266 | 7 | 6 | | | |
| C31086 | 15 | 2 | | | |
| C31088 | 15 | 3 | | | |
| C31089 | 15 | 1 | | | |
| C32400 | 11 | 11 | | | |
| C32414 | 9 | 3 | | | |
| C33107 | 5 | 4 | | | |
| C33107 | 13 | | | | |
| C33125 | 5 | 28 | | | |
| C33127 | 5 | | | | |
| C33202 | 5 | 17 | | | |
| C33203 | 5 | 18 | | | |
| C33204 | 5 | 26 | | | |
| C33274 | 9 | 9 | | | |
| C33292 | 13 | 1 | | | |
| C33292 | 13 | 1 | | | |
| C33293 | 13 | 2 | | | |
| C33293 | 13 | 2 | | | |
| C33301 | 13 | | | | |
| C33302 | 13 | | | | |
| C33303 | 13 | | | | |
| C33304 | 13 | | | | |
| 083- 46 | 5 | 3 | | | |
| 111- 340 | 5 | | | | |
| 111- 371 | 5 | 5 | | | |
| 113- 102 | 7 | 9 | | | |
| 113- 102 | 9 | 6 | | | |
| 113- 103 | 7 | 12 | | | |
| 113- 103 | 11 | 4 | | | |

INGERSOLL

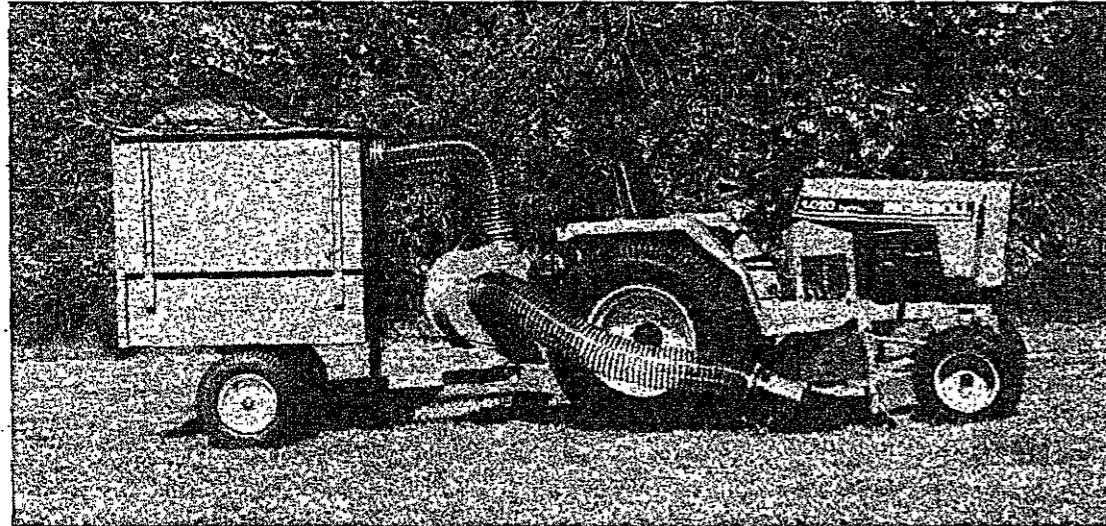
Ingersoll Equipment Co., Inc.



**HYDRAULIC VACUUM
AHVFC, AHVFB, HVFC, HVFB
Parts Catalog 8-3082**

NOTE: This Catalog Replaces
Catalog 8-3081

12-92-RP-500-111



ALPHABETICAL INDEX

| | Page | Grid |
|-------------------------|-------|--------|
| Bags | 13 | C12 |
| Boot | 9 | C8 |
| Cover, Bags | 13 | C12 |
| Cover, Cart | 11 | C10 |
| Decals | 19 | D4 |
| Ducts | 9 | C8 |
| Housing, Blower | 9 | C8 |
| Hydraulic System | 5-7 | C4-C6 |
| Impellor | 5-7 | C4-C6 |
| Motor, Hydraulic | 15-17 | C14-D2 |
| Mounting Brackets | 5 | C4 |
| Side Panels, Cart | 11 | C10 |
| Support, Bags | 13 | C12 |

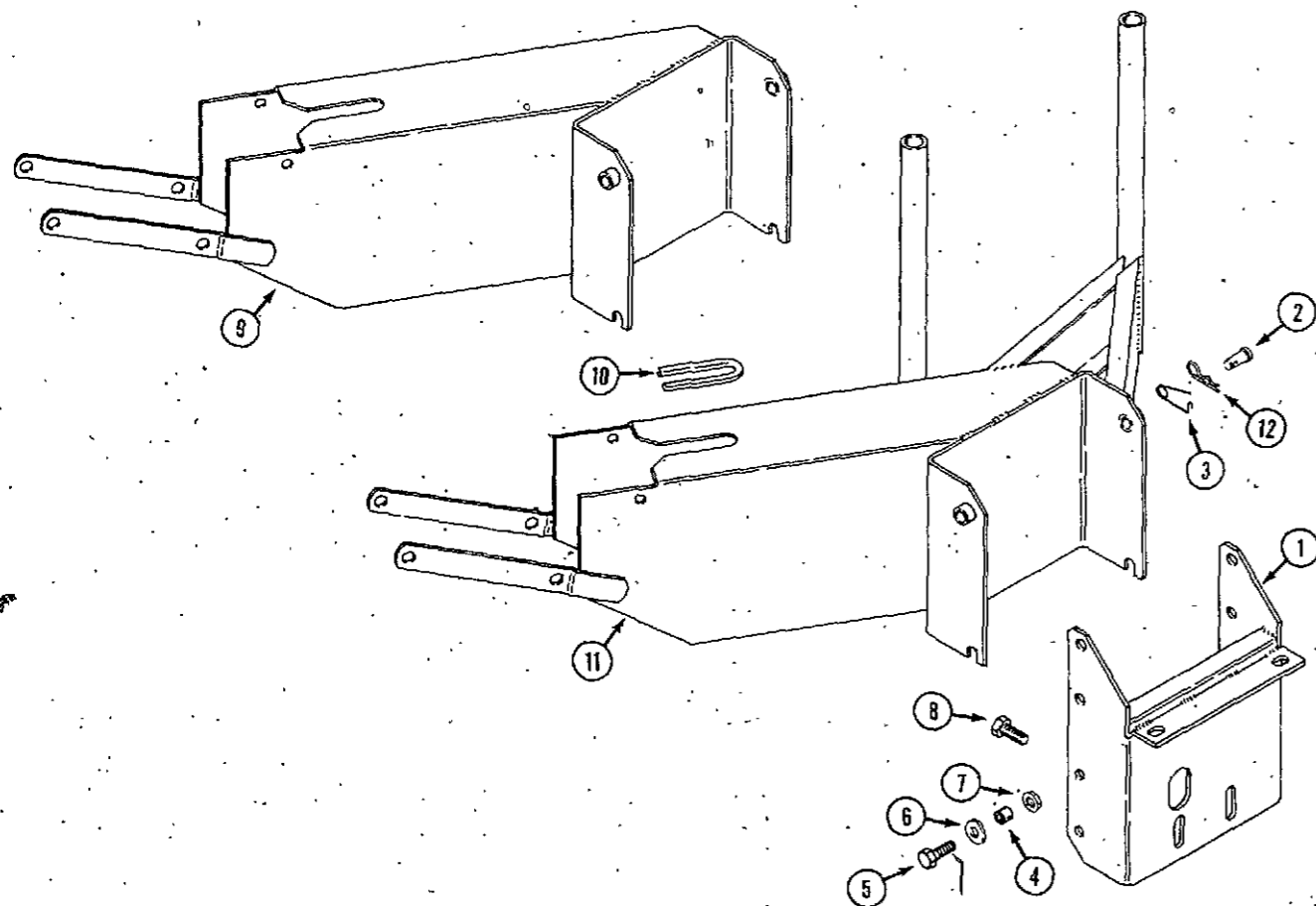
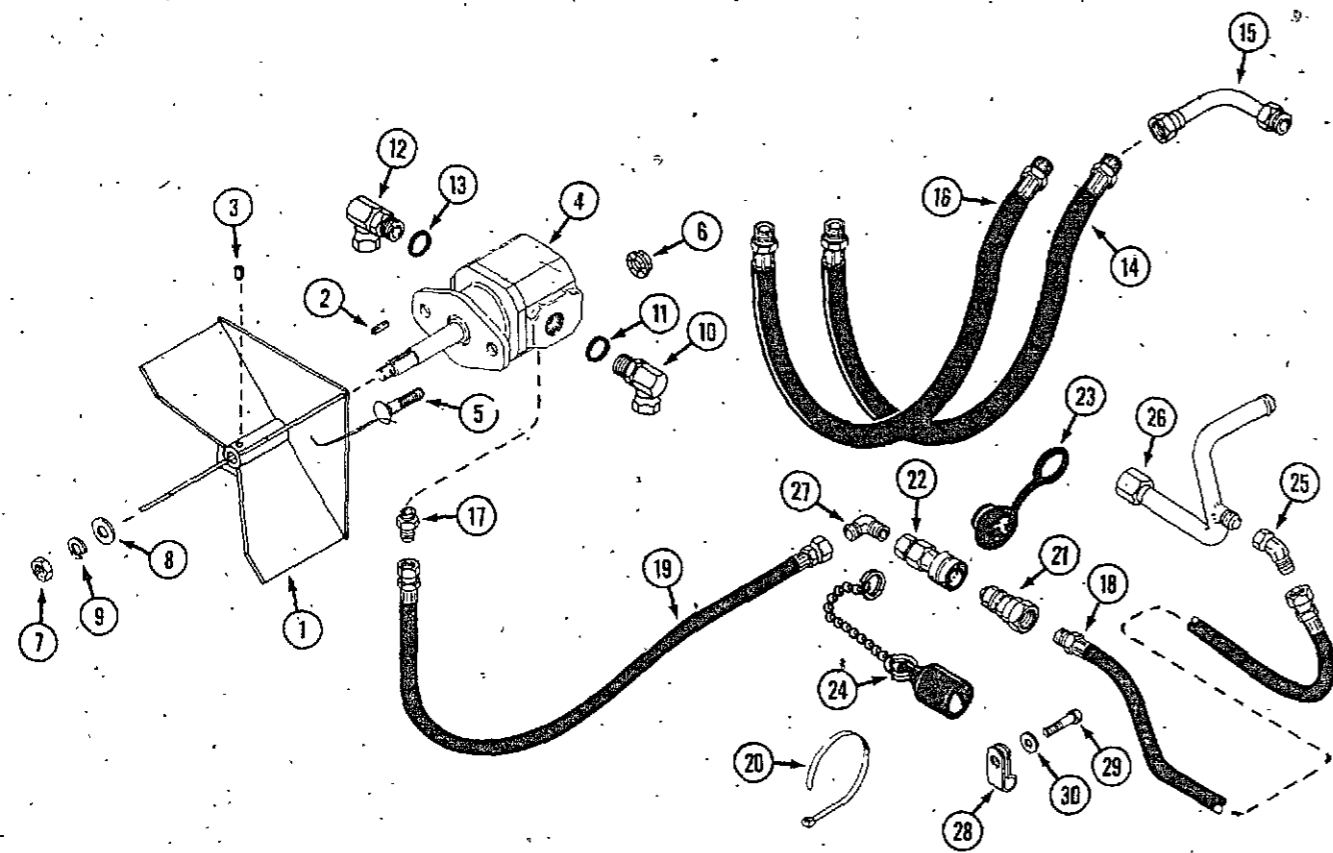
APPLICATION CHART

| TRACTOR | HYDRAULIC BLOWER | MOWER | HYD. PTO** | DUMP CART |
|---------------------------|------------------|-------------------|---------------------|---|
| 3014, 3016, 3018 | HVFC, HVFB | RM38*, RM44, RM48 | HP30, HP31 HP32+ | E, F, G60 or DC 1000 (Not used w/bagger) |
| 4014, 4016, 4018, 4020 | HFVC, HVFB | RM44, RM48 | HP40, HP41 HP42+ | E, F, G60 or DC1000 (Not used w/bagger) |
| 3118, 4116, 4118, 4120 | AHVFC, AHVFB | AHRM44, AHRM48 | Standard | E, F, G60 or DC1000 (Not used w/bagger) |

*tractor will require narrow rear tires

**see wholegoods list

+may require additional quick couplers



IMPELLOR AND HYDRAULIC MOTOR (HVFC, HVFB)

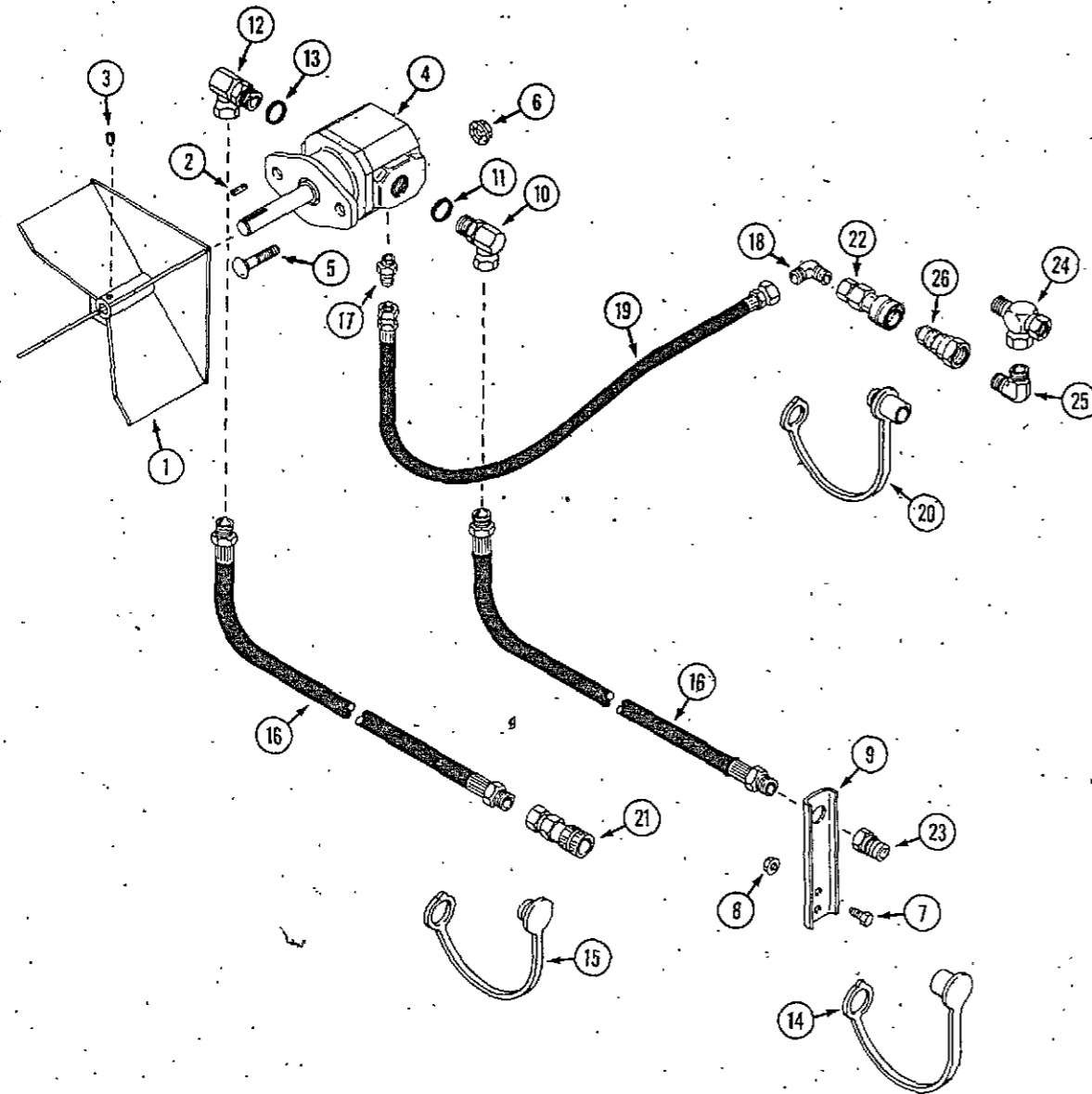
| REF. | PART NO. | DESCRIPTION | REQ'D |
|------|-----------|--|-------|
| 1 | C 28392 | IMPELLOR - blower | 1 |
| 2 | C 28215 | KEY - 3/16" square x 5/8" impeller | 1 |
| 3 | 83- 46 | SET SCREW - 1/4" - 20 | 2 |
| 4 | NSS* | MOTOR - hydraulic (use C33126 kit) (repairs page 15) | 1 |
| 4 | C 33108** | MOTOR - hydraulic (repairs page 15) | 1 |
| 5 | 111- 371 | BOLT - 3/8" - 16 x 1-1/4" carriage | 2 |
| 6 | 131- 938 | NUT - 3/8" - 16 flange lock | 2 |
| 7 | 129- 163 | NUT - 3/8" - 24 (torque to 20-25 ft. lb.) | 1 |
| 8 | 195- 525 | WASHER - 3/8" | 1 |
| 9 | 192- 21 | LOCKWASHER - 3/8" | 1 |
| 10 | 218-5203 | FITTING - 90° swivel 3/4" - 16 "O" ring x 1/2" pipe (inlet) | 1 |
| 11 | 218-5006 | "O" RING - fitting | 1 |
| 12 | 218-5201 | FITTING - 90° swivel 7/8" - 14 "O" ring x 1/2" pipe (outlet) | 1 |
| 13 | 218-5007 | "O" RING - fitting | 1 |
| 14 | C 28320 | HOSE - hydraulic 42" | 1 |
| 15 | C 29882 | TUBE - extension | 2 |
| 16 | C 32347 | HOSE - hydraulic 44" | 1 |
| | C 33126 | KIT - hydraulic motor with case drain | 1 |
| 17 | 218-5053 | FITTING - 7/16" - 20 x 7/16" - 20, 37° flare | 1 |
| 18 | C 33113 | HOSE - return manifold to coupling | 1 |
| 18 | C 33864 | HOSE - return manifold to travel valve | 1 |
| 19 | C 33114 | HOSE - motor to coupling | 1 |
| 20 | C 22947 | TIE - nylon | 3 |
| 21 | C 27713 | COUPLING - male | 1 |
| 22 | C 27714 | COUPLING - female | 1 |
| 23 | NSS | PLUG - dust (use C33404) | 1 |
| 24 | NSS | CAP - dust (use C33404) | 1 |
| 25 | 218-5172 | FITTING - 45° 9/16" - 18 x 9/16" - 18 | 1 |
| 26 | C 33115 | TUBE - travel valve to heat exchanger | 1 |
| 27 | 218- 483 | FITTING - 90° 9/16" flare x 1/4" - 18 NPTF | 1 |
| 28 | C 33125 | CLAMP - hose | 1 |
| 29 | 113- 132 | BOLT - 1/4" - 20 x 1-3/4" | 1 |
| 30 | 195- 518 | WASHER - 1/4" | 1 |

*use before S/N:
 **use S/N and after:
 HVFB - 016077
 HVFC - 016510

ADAPTER AND MOUNTING BRACKET

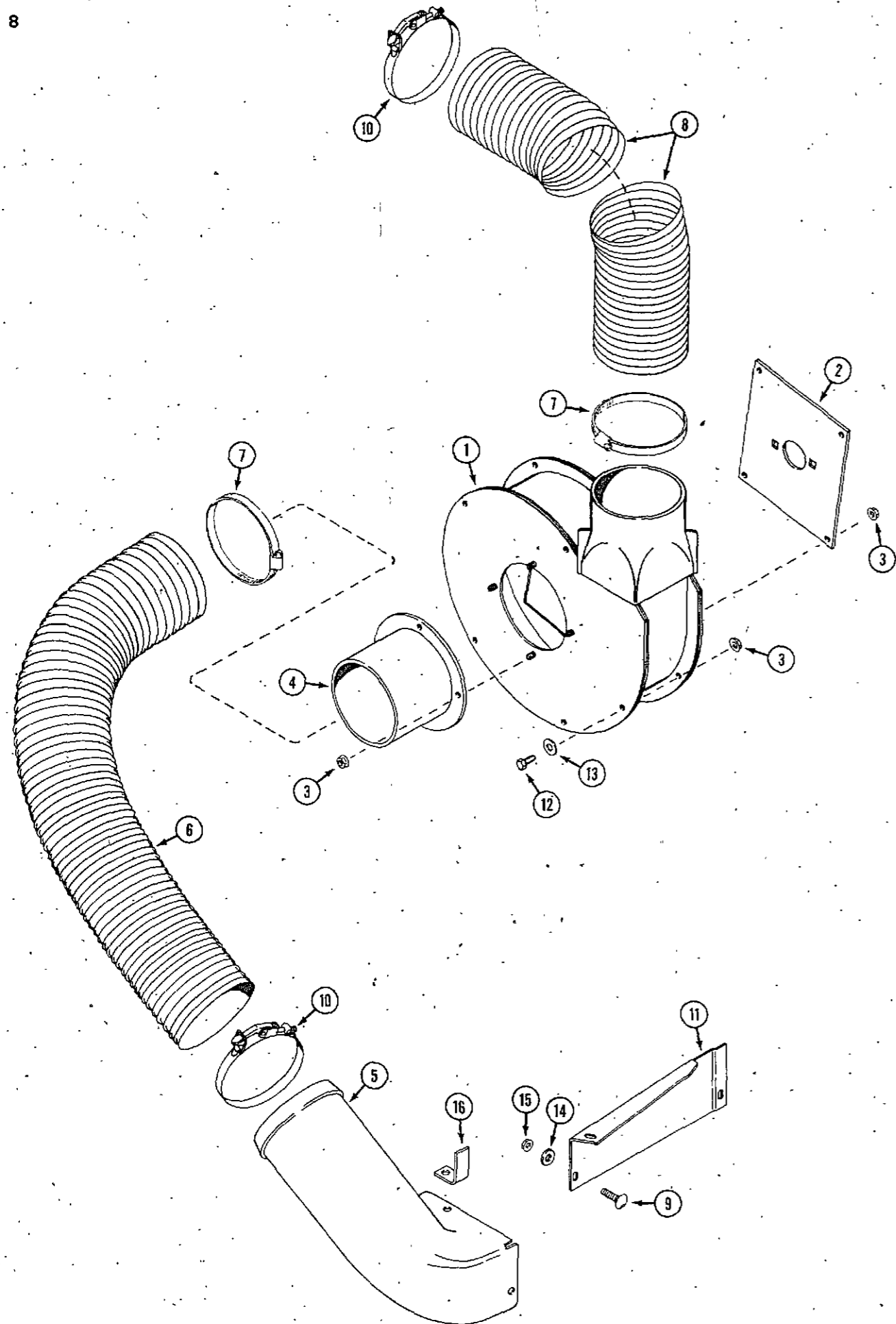
| | | | |
|----|----------|-------------------------------------|-----|
| 1 | C 29916 | BRACKET - tractor adapter | 1 |
| 2 | 141- 56 | PIN - clevis 1/2" x 1-3/8" | 2 |
| 3 | C 10898 | PIN - safety (HVFC, AHVFC) | 2 |
| 4 | C 14768 | SPACER | 2 |
| 5 | 113- 208 | BOLT - 3/8" - 16 x 1-1/4" | 2 |
| 6 | 195- 525 | WASHER - 3/8" | 2 |
| 7 | 131- 938 | NUT - 3/8" - 16 flange | 2 |
| 8 | 113- 417 | BOLT - 1/2" - 13 x 1-1/4" | 2 |
| 9 | C 32335 | BRACKET - mounting (HVFC, AHVFC) | 2 |
| 10 | C 33274 | TRIM - strip | UAR |
| 11 | C 32349 | BRACKET - mounting (HVFB, AHVFB) | 1 |
| 12 | C 29029 | PIN - cotter hair pin (HVFB, AHVFB) | 2 |

IMPELLOR AND HYDRAULIC MOTOR (AHVFC, AHVFB)



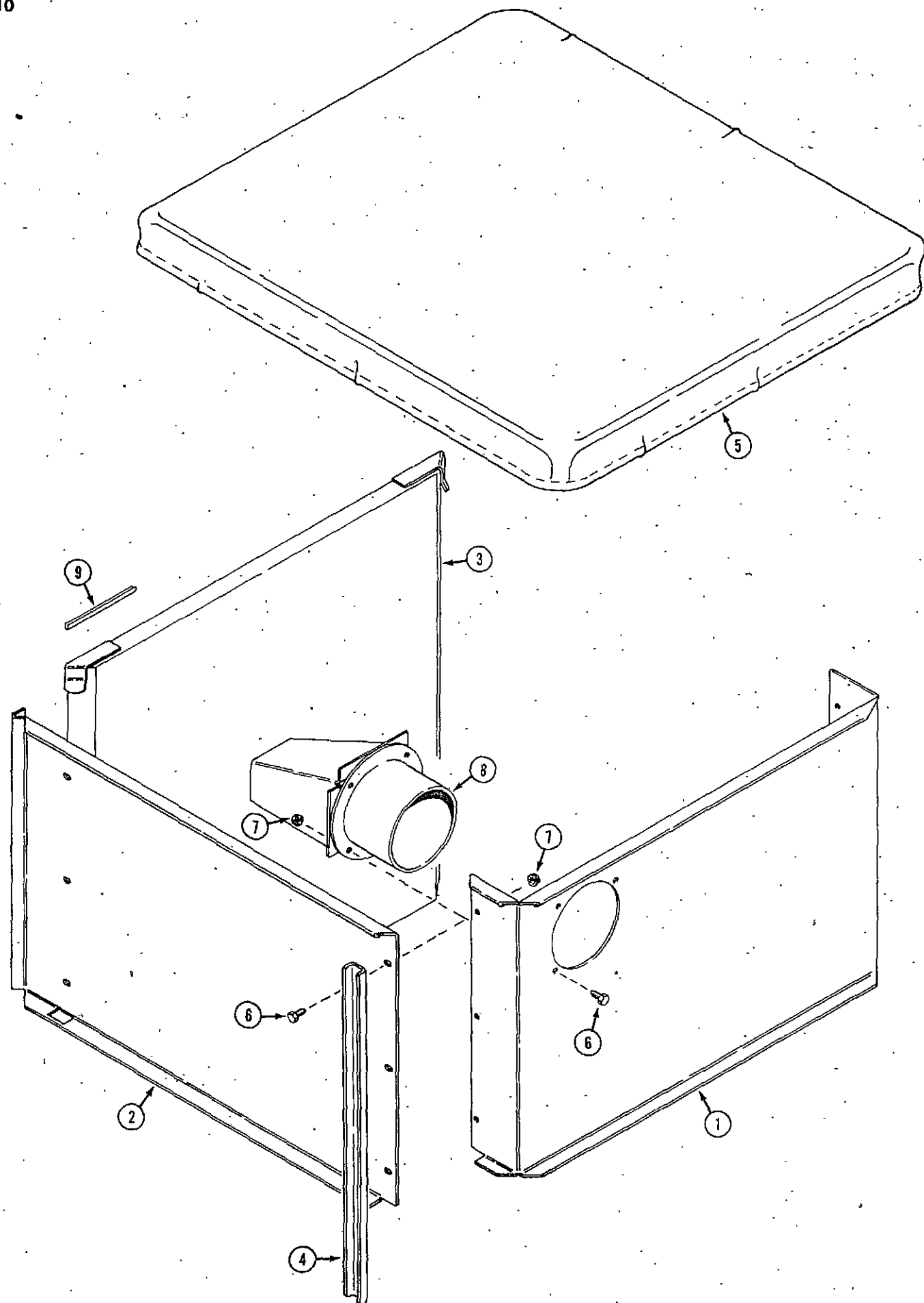
| REF. | PART NO. | DESCRIPTION | REQ'D |
|------|-----------|--|-------|
| 1 | C 42102 | IMPELLOR - blower | 1 |
| 2 | C 43446 | KEY - 3/16" square x 1-1/4" | 1 |
| 3 | 61- 46 | SCREW - 1/4" - 20 x 3/8" | 3 |
| 4 | C 42099 | MOTOR - hydraulic (repairs page 1-7) | 1 |
| 5 | 111- 371 | BOLT - 3/8" - 16 x 1-1/4" carriage | 2 |
| 6 | 131- 938 | NUT - 3/8" - 16 flange lock | 2 |
| 7 | 113- 118 | BOLT - 5/16" - 18 x 5/8" | 2 |
| 8 | 131- 911 | NUT - 5/16" - 18 flange lock | 2 |
| 9 | C 42139 | BRACKET - anchor | 1 |
| 10 | 218- 5203 | FITTING - 90° swivel 3/4" - 16 "O" ring x 1/2" pipe (inlet) | 1 |
| 11 | 218- 5007 | "O" RING | 1 |
| 12 | 218- 5201 | FITTING - 90° swivel 7/8" - 14 "O" ring x 1/2" pipe (outlet) | 1 |
| 13 | 218- 5007 | "O" RING | 1 |
| 14 | C 40641 | CAP - dust | 1 |
| 15 | C 40642 | PLUG - dust | 1 |
| 16 | C 42138 | HOSE - hydraulic 44" | 2 |
| 17 | 218- 5053 | FITTING - 7/16" - 20 x 7/16" - 20 37° flare | 1 |
| 18 | 218- 483 | FITTING - 90° elbow | 1 |
| 19 | C 33114 | HOSE - case drain, motor to coupling 50" | 1 |
| 20 | C 33404 | CAP/PLUG - dust | 2 |
| 21 | C 37188 | COUPLING - female | 1 |
| 22 | C 41044 | COUPLING - female, case drain | 1 |
| 23 | C 37187 | COUPLING - male | 2 |
| 24 | 217- 1062 | FITTING - tee | 1 |
| 25 | 217- 1225 | FITTING - 90° elbow | 1 |
| 26 | C 41043 | COUPLING - male, case drain | 1 |

BLOWER HOUSING, DUCTS AND TUBES



| REF. | PART NO: | DESCRIPTION | REQ'D |
|------|----------|--------------------------------------|-------|
| 1 | C 32334 | HOUSING - blower | 1 |
| 2 | C 28396 | PLATE - motor mounting | 1 |
| 3 | 131- 911 | NUT - 5/16" - 18 flange lock | 16 |
| 4 | C 29890 | DUCT - blower inlet | 1 |
| 5 | C 32341 | BOOT - mower | 1 |
| 6 | C 30266 | TUBE - blower intake 45" to 48" | 1 |
| 7 | 214- 277 | CLAMP - chute, worm drive | UAR |
| 8 | NSS | TUBE - blower discharge (use C30266) | 1 |
| 9 | 111- 132 | BOLT - 5/16" - 18 x 3/4" carriage | 4 |
| 10 | C 28413 | CLAMP - chute | UAR |
| 11 | C 32342 | BAFFLE - mower | 1 |
| 12 | 113- 103 | BOLT - 5/16" - 18 x 1 | 6 |
| 13 | 195-2175 | WASHER - .344" x 1.25" | 4 |
| 14 | 195- 521 | WASHER - 5/16" | 1 |
| 15 | 131- 911 | NUT - 5/16" - 18 | 4 |
| 16 | C 32994 | SUPPORT - discharge chute | 1 |

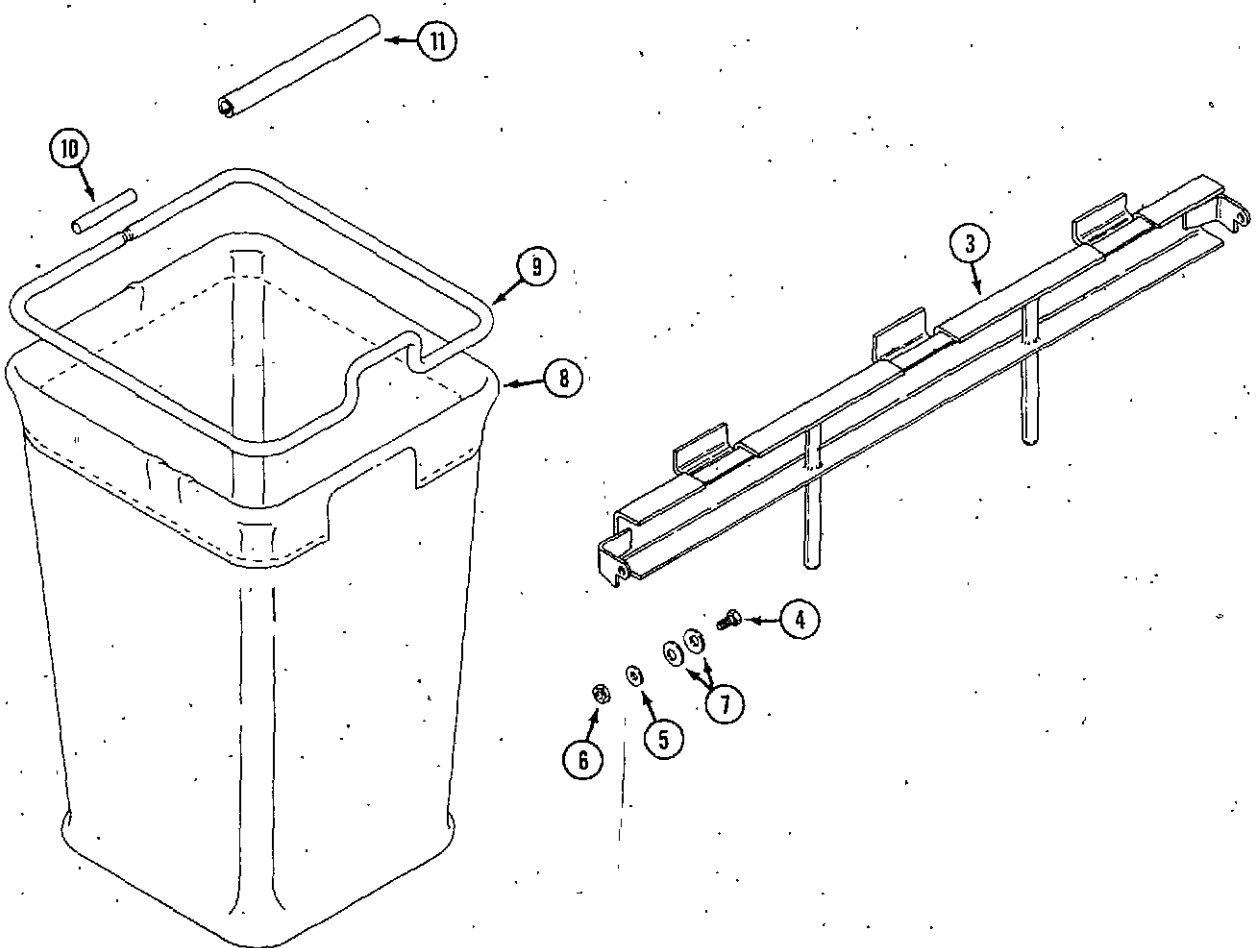
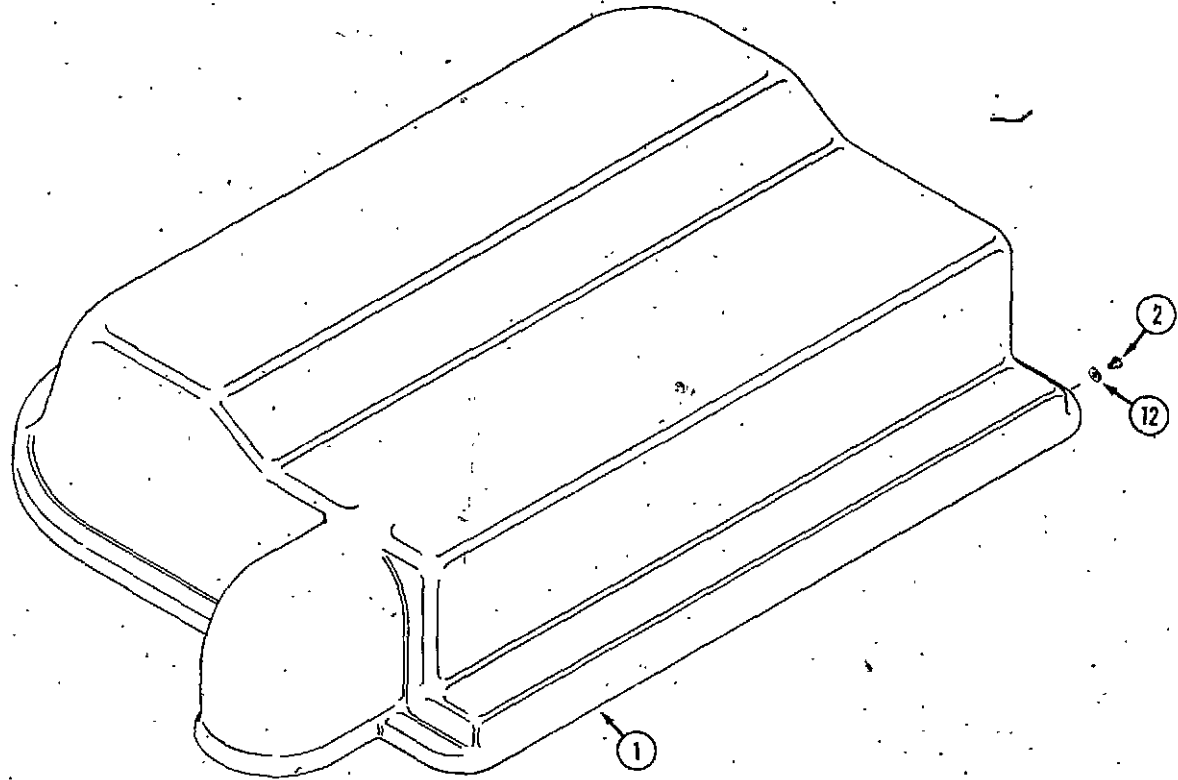
CART ENCLOSURE (HVFC, AHVFC)



| REF. | PART NO. | DESCRIPTION | REQ'D |
|------|----------|------------------------------|-------|
| 1 | C 32345 | PANEL - front | 1 |
| 2 | C 28418 | PANEL - side L.H. | 1 |
| 2 | C 28419 | PANEL - side R.H. (shown) | 1 |
| 3 | C 32414 | TAILGATE | 1 |
| 4 | C 28420 | CHANNEL - support | 4 |
| 5 | C 30102 | COVER - cart | 1 |
| 6 | 113- 102 | BOLT - 5/16" - 18 x 3/4" | 15 |
| 7 | 131- 911 | NUT - 5/16" - 18 flange lock | 15 |
| 8 | C 28414 | DEFLECTOR - debris | 1 |
| 9 | C 33274 | TRIM - strip | UAR |

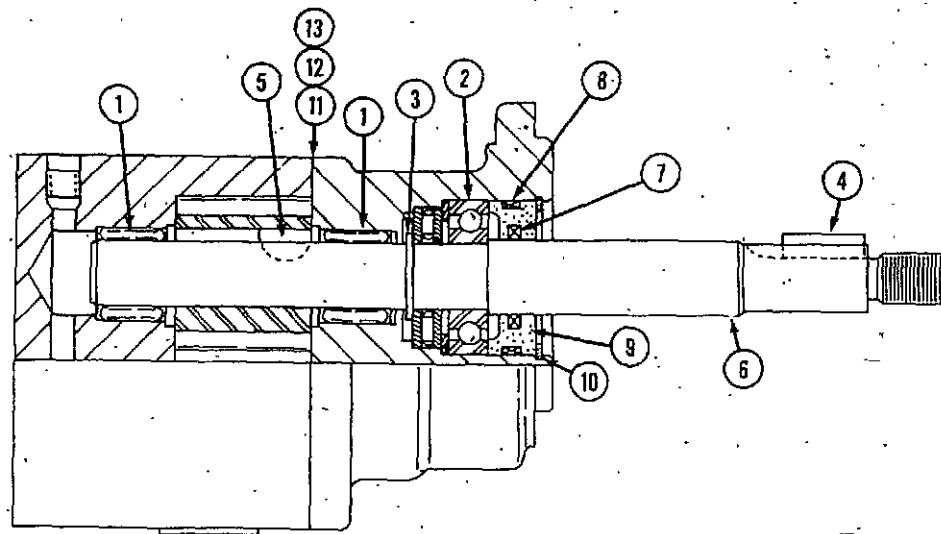
BAGS, COVER AND SUPPORT FRAME (HVFB, AHVFB)

| REF. | PART NO. | DESCRIPTION | REQ'D |
|------|----------|----------------------------|-------|
| 1 | C 32351 | COVER - bagger | 1 |
| 2 | 151- 539 | RIVET - pop | UAR |
| 3 | C 32357 | FRAME - support | 1 |
| 4 | 113- 103 | BOLT - 5/16" - 18 x 1" | 2 |
| 5 | 195- 521 | WASHER - 5/16" | 2 |
| 6 | 131- 176 | NUT - 5/16" - 18 lock | 2 |
| 7 | C 25114 | SPRING WASHER - Belleville | 4 |
| 8 | C 28438 | BAG | 3 |
| 9 | C 29897 | ROD - bag reinforcement | 3 |
| 10 | C 28440 | TUBE - connector | 3 |
| 11 | C 32400 | GUARD - bag | 3 |
| 12 | 195- 513 | WASHER - 7/32" x 1/2" | 4 |



HYDRAULIC MOTOR (HVFB, HVFC)

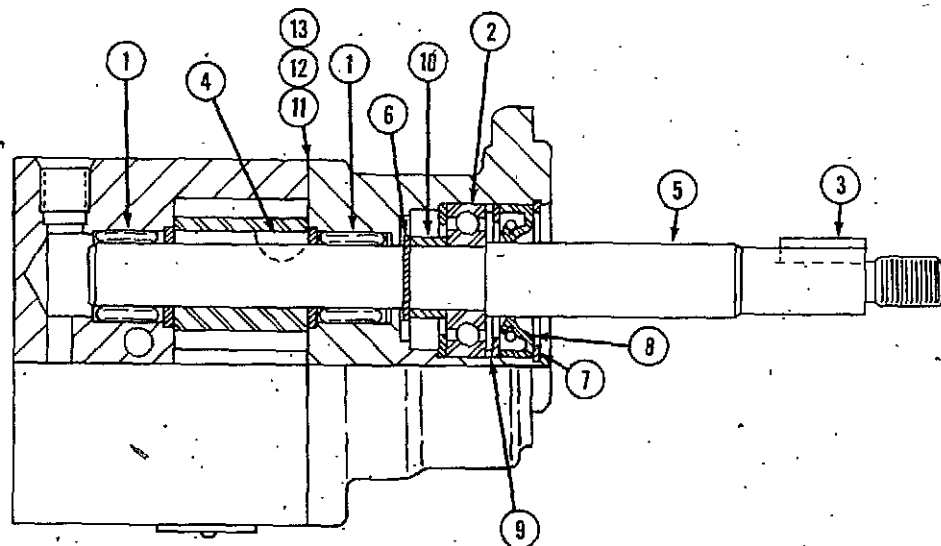
Use Before S/N:
 HVFB - 016077
 HVFC - 016510



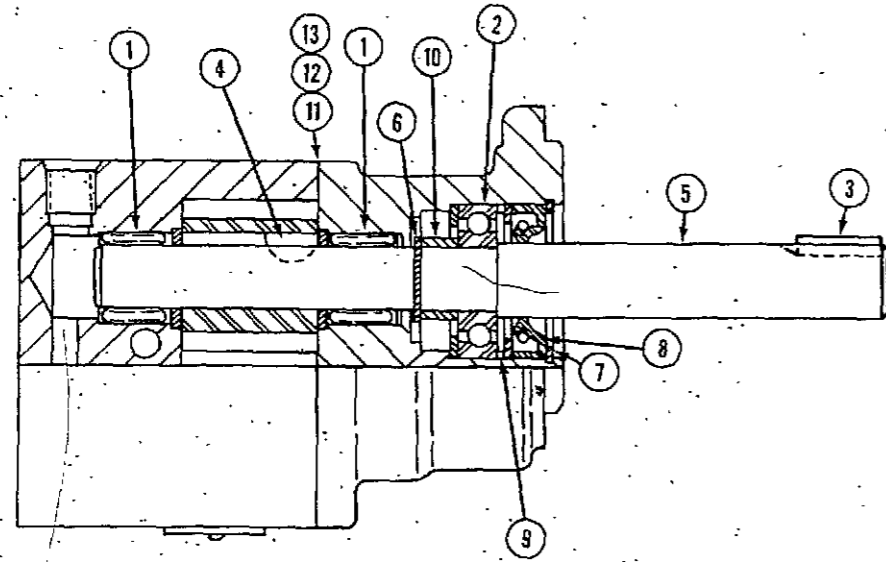
| REF. | PART NO. | DESCRIPTION | REQ'D |
|------|----------|------------------------------------|-------|
| | NSS | MOTOR - hydraulic (use C33126 kit) | 1 |
| 1 | C 33292 | BEARING - needle | 4 |
| 2 | C 33293 | BEARING - ball | 1 |
| | C 33303 | KIT - shaft repair | 1 |
| 3 | NSS | RING - snap 1/2" external | 1 |
| 4 | C 28215 | KEY - square 3/16" | 1 |
| 5 | 126- 6 | KEY - woodruff 1/8" x 3/8" | 1 |
| 6 | NSS | SHAFT - hydraulic motor | 1 |
| | C 33304 | KIT - seal | 1 |
| 7 | NSS | "O" RING - internal | 1 |
| 8 | NSS | "O" RING - external | 1 |
| 9 | NSS | RETAINER - seal | 1 |
| 10 | NSS | RING - snap 1-1/8" internal | 1 |
| 11 | NSS | GASKET - body .00050" (silver) | UAR |
| 12 | NSS | GASKET - body .00075" (gold) | UAR |
| 13 | NSS | GASKET - body .00100" (amber) | UAR |

HYDRAULIC MOTOR (HVFB, HVFC)

Use S/N and after:
 HVFB - 016077
 HVFB - 016510
 HVFC



| | | | |
|----|---------|--------------------------------|-----|
| | C 33108 | MOTOR - hydraulic | 1 |
| 1 | C 33292 | BEARING - needle | 4 |
| 2 | C 33293 | BEARING - ball | 1 |
| | C 33301 | KIT - shaft repair | 1 |
| 3 | C 28215 | KEY - square 3/16" | 1 |
| 4 | 126- 6 | KEY - woodruff 1/8" x 3/8" | 1 |
| 5 | NSS | SHAFT - hydraulic motor | 1 |
| 6 | NSS | RING - snap 1/2" external | 1 |
| | C 33302 | KIT - seal | 1 |
| 7 | NSS | RING - snap 1-1/8" internal | 1 |
| 8 | NSS | SEAL - oil | 1 |
| 9 | NSS | SPACER - seal | 1 |
| 10 | NSS | SPACER - bearing | 1 |
| 11 | NSS | GASKET - body .00050" (silver) | UAR |
| 12 | NSS | GASKET - body .00075" (gold) | UAR |
| 13 | NSS | GASKET - body .00100" (amber) | UAR |



HYDRAULIC MOTOR (AHVFB, AHVFC)

| | | | |
|----|---------|--------------------------------|-----|
| | C 42099 | MOTOR - hydraulic | 1 |
| 1 | C 33292 | BEARING - needle | 4 |
| 2 | C 33293 | BEARING - ball | 1 |
| | C 43593 | KIT - shaft repair | 1 |
| 3 | C 43446 | KEY - sqare 3/16" x 1-1/4" | 1 |
| 4 | 126- 6 | KEY - woodruff 1/8" x 3/8" | 1 |
| 5 | NSS | SHAFT - hydraulic motor | 1 |
| 6 | NSS | RING - snap 1/2" external | 1 |
| | C 33302 | KIT - seal | 1 |
| 7 | NSS | RING - snap 1-1/8" internal | 1 |
| 8 | NSS | SEAL - oil | 1 |
| 9 | NSS | SPACER - seal | 1 |
| 10 | NSS | SPACER - bearing | 1 |
| 11 | NSS | GASKET - body .00050" (silver) | UAR |
| 12 | NSS | GASKET - body .00075" (gold) | UAR |
| 13 | NSS | GASKET - body .00100" (amber) | UAR |

INGERSOLL

DECALS

| REF. | PART NO. | DESCRIPTION | REQ'D |
|------|----------|---------------------------------|-------|
| 1 | C 31089 | DECAL - "Spinning Blade" | UAR |
| 2 | C 31086 | DECAL - "Flying Debris" | 1 |
| 3 | C 31088 | DECAL - "Flying Debris" | 1 |
| 4 | C 31989 | DECAL - "Ingersoll" shown | 1 |

⚠ WARNING

FLYING DEBRIS
 OPERATE MOWER ONLY
 WITH DISCHARGE CHUTE
 GUARD/COVER OR COMPLETE
 GRASS CATCHER IN PLACE.
 DEBRIS MAY CAUSE INJURY

⚠ CAUTION

FLYING DEBRIS
 1 DO NOT RAISE COVER WHILE OPERATING
 2 PROPERLY INSTALL BAGGER AND CHUTE
 BEFORE STARTING MOWER. SEE OPER-
 ATORS MANUAL FOR FURTHER
 INSTRUCTIONS

⚠ DANGER

SPINNING BLADE
 SEE OPERATOR'S MANUAL BEFORE
 ATTEMPTING TO CLEAR PLUGGED
 DISCHARGE CHUTE.
 CONTACT WITH BLADE CAN RESULT IN
 SERIOUS INJURY.

NUMERICAL INDEX

| PART NO. | PAGE NO. | REF. NO. | PART NO. | PAGE NO. | REF. NO. |
|----------|----------|----------|-----------|----------|----------|
| C10898 | 5 | 3 | C41043 | 7 | 26 |
| C14768 | 5 | 4 | C41044 | 7 | 22 |
| C22947 | 5 | 20 | C42099 | 7 | 4 |
| C25114 | 13 | 7 | C42099 | 17 | |
| C27713 | 5 | 21 | C42102 | 7 | 1 |
| C27714 | 5 | 22 | C42138 | 7 | 16 |
| C28215 | 5 | 2 | C42139 | 7 | 9 |
| C28215 | 15 | 4 | C43446 | 7 | 2 |
| C28215 | 15 | 3 | C43446 | 17 | 3 |
| C28320 | 5 | 14 | C43593 | 17 | |
| C28392 | 5 | 5 | 061- 46 | 7 | 3 |
| C28396 | 9 | 2 | 083- 46 | 5 | 3 |
| C28413 | 9 | 10 | 111- 132 | 9 | 9 |
| C28414 | 11 | 8 | 111- 371 | 5 | 5 |
| C28418 | 11 | 2 | 111- 371 | 7 | 5 |
| C28419 | 11 | 2 | 113- 102 | 11 | 6 |
| C28420 | 11 | 4 | 113- 103 | 9 | 12 |
| C28438 | 13 | 8 | 113- 103 | 13 | 4 |
| C28440 | 13 | 10 | 113- 118 | 7 | 7 |
| G29029 | 5 | 12 | 113- 132 | 5 | 29 |
| C29882 | 5 | 15 | 113- 208 | 5 | 5 |
| C29890 | 9 | 4 | 113- 417 | 5 | 8 |
| C29897 | 13 | 9 | 126- 6 | 15 | 5 |
| C29916 | 5 | 1 | 126- 6 | 15 | 4 |
| C30102 | 11 | 5 | 126- 6 | 17 | 4 |
| C30266 | 9 | 6 | 129- 163 | 5 | 7 |
| C31086 | 19 | 2 | 131- 176 | 13 | 6 |
| C31088 | 19 | 3 | 131- 911 | 7 | 8 |
| C31089 | 19 | 1 | 131- 911 | 9 | 3 |
| C31989 | 19 | 4 | 131- 911 | 9 | 15 |
| C32334 | 9 | 1 | 131- 911 | 11 | 7 |
| C32335 | 5 | 9 | 131- 938 | 5 | 6 |
| C32341 | 9 | 5 | 131- 938 | 5 | 7 |
| C32342 | 9 | 11 | 131- 938 | 7 | 6 |
| C32345 | 11 | 1 | 141- 56 | 5 | 2 |
| C32347 | 5 | 16 | 151- 539 | 13 | 2 |
| C32349 | 5 | 11 | 192- 21 | 5 | 9 |
| C32351 | 13 | 1 | 195- 513 | 13 | 12 |
| C32357 | 13 | 3 | 195- 518 | 5 | 30 |
| C32400 | 13 | 11 | 195- 521 | 9 | 14 |
| C32414 | 11 | 3 | 195- 521 | 13 | 5 |
| C32994 | 9 | 16 | 195- 525 | 5 | 8 |
| C33108 | 5 | 4 | 195- 525 | 5 | 6 |
| C33108 | 15 | | 195- 2175 | 9 | 13 |
| C33113 | 5 | 18 | 214- 277 | 9 | 7 |
| C33114 | 5 | 19 | 217- 1062 | 7 | 24 |
| C33114 | 7 | 19 | 217- 1225 | 7 | 25 |
| C33115 | 5 | 26 | 218- 483 | 5 | 27 |
| C33125 | 5 | 28 | 218- 483 | 7 | 18 |
| C33126 | 5 | | 218- 5006 | 5 | 11 |
| C33274 | 5 | 10 | 218- 5007 | 5 | 13 |
| C33274 | 11 | 9 | 218- 5007 | 7 | 11 |
| C33292 | 15 | 1 | 218- 5007 | 7 | 13 |
| C33292 | 15 | 1 | 218- 5053 | 5 | 17 |
| C33292 | 17 | 1 | 218- 5053 | 7 | 17 |
| C33293 | 15 | 2 | 218- 5172 | 5 | 25 |
| C33293 | 15 | 2 | 218- 5201 | 5 | 12 |
| C33293 | 17 | 2 | 218- 5201 | 7 | 12 |
| C33301 | 15 | | 218- 5203 | 5 | 10 |
| C33302 | 15 | | 218- 5203 | 7 | 10 |
| C33302 | 17 | | | | |
| C33304 | 15 | | | | |
| C33404 | 7 | 20 | | | |
| C33864 | 5 | 18 | | | |
| C37187 | 7 | 23 | | | |
| C37188 | 7 | 21 | | | |
| C40641 | 7 | 14 | | | |
| C40642 | 7 | 15 | | | |

INGERSOLL
Ingersoll Equipment Co., Inc.