

**CHIPPER SHREDDER
HS24H, HS24W
AHS24H, AHS24W
Parts Catalog 8-3291**

10-96-RP-200-205

TABLE OF CONTENTS

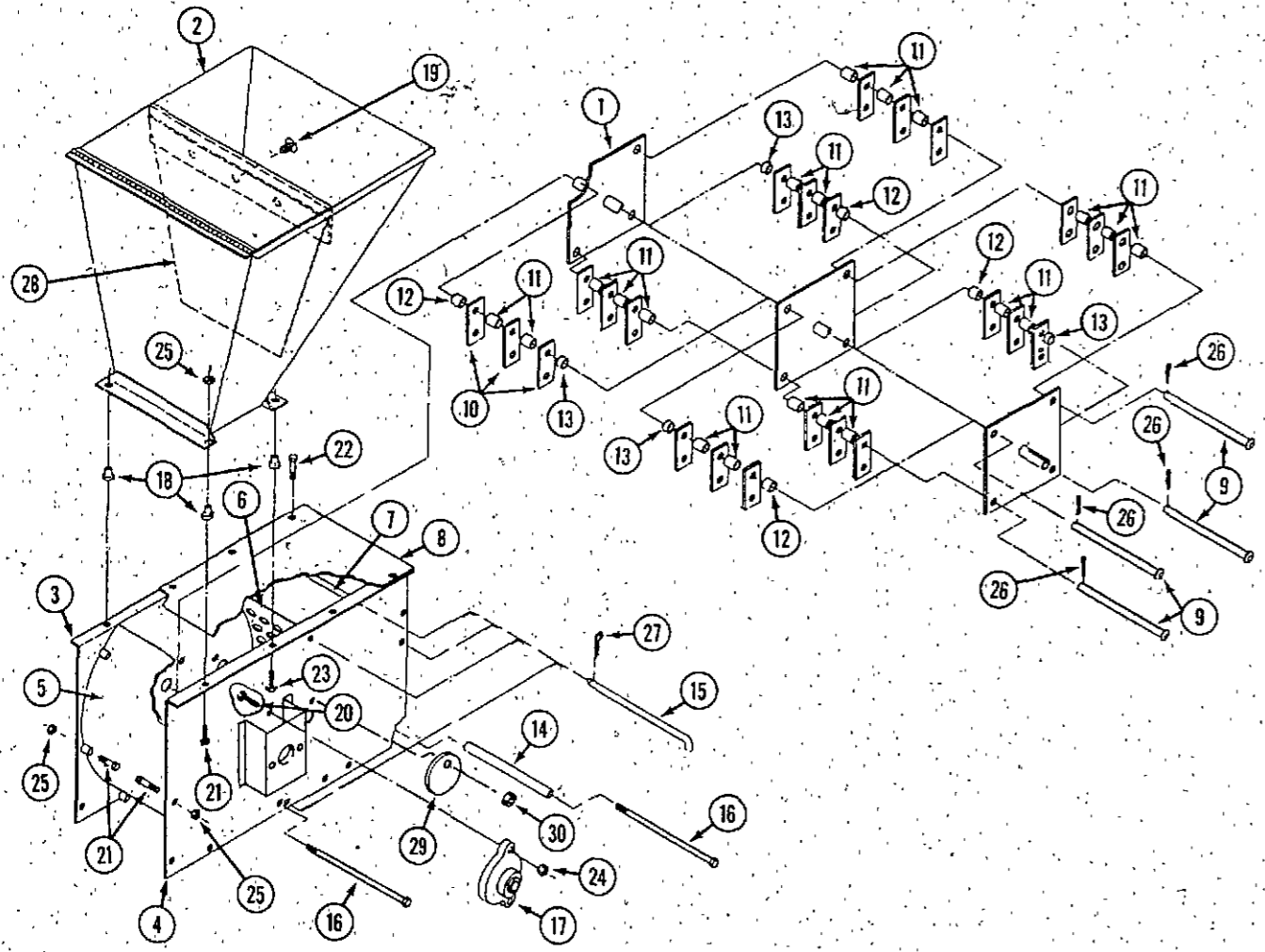
	Page	Grid
Body, Hopper and Shredder Hammers	5	A4
Chipper Assembly	7	A6
Trailer and Wheels (HS24W, AHS24W)	9	A8
Frame and Legs (HS24H, AHS24H)	11	A10
Hydraulic System	13-15	A12-A14
Hydraulic Motor	17	B2
Decals	19	B4

APPLICATION CHART

TRACTOR MODEL	ATTACHMENT MODEL
3118, 4116, 4118, 4120	AHS24W, AHS24H*
3010, 3012, 3014, 3016, 3018, 3020 4014, 4016, 4018, 4020	HS24W, HS24H* (See Note below)

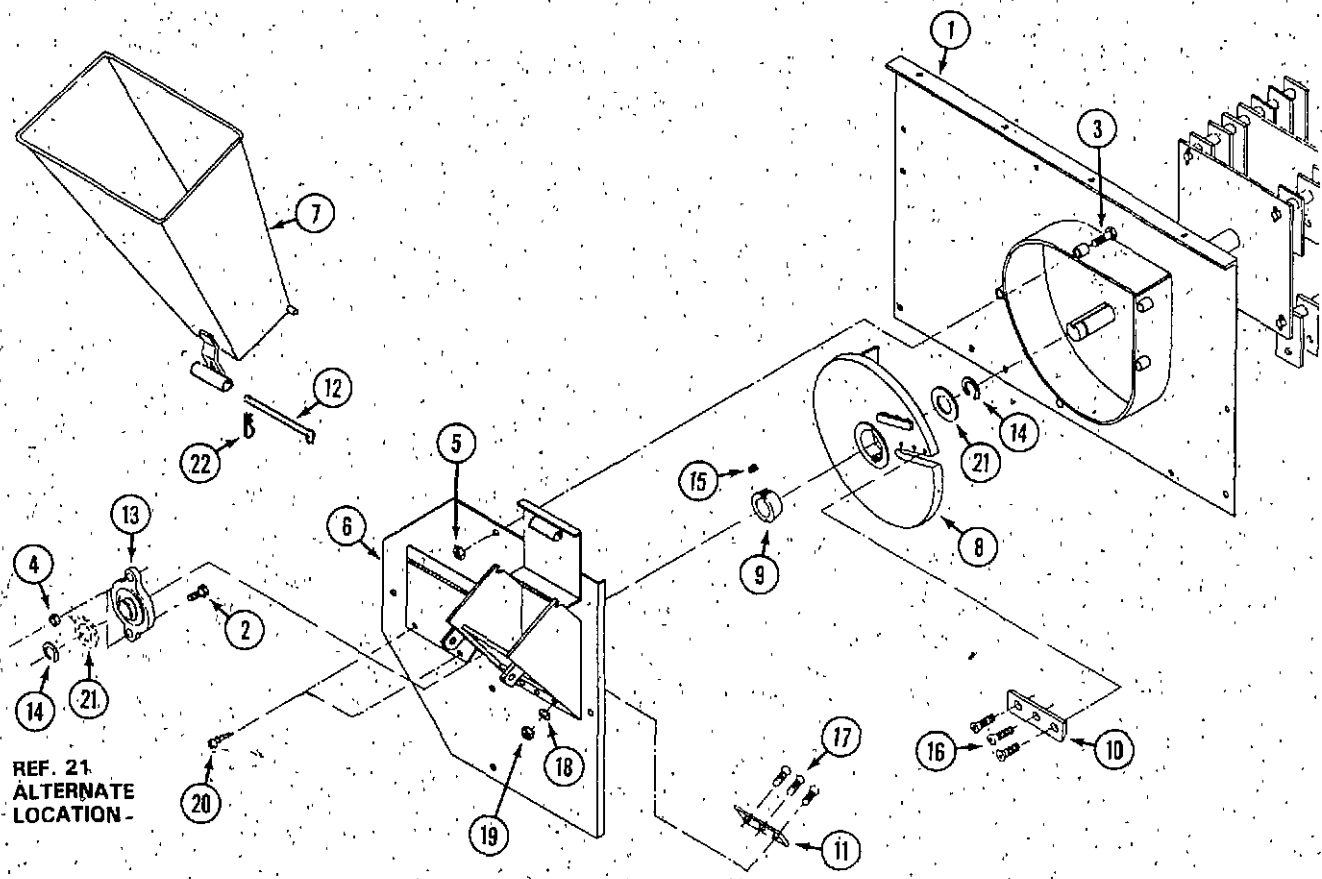
* Also requires 3 point hitch

NOTE: Early tractor models require case drain kits.
Current models require coupling kits.
(See Whole Goods Price List.)



BODY, HOPPER AND SHREDDER HAMMERS

REF.	PART NO	DESCRIPTION	REQ'D
1	C34556	ROTOR - hammer	1
2	C37363	HOPPER	1
3	C34557	PLATE - chipper side	1
4	C34558	PLATE - drive side	1
5	C34559	SCROLL	1
6	C37354	SCREEN - 1" standard	1
7	C37356	PLATE - baffle	1
8	C34560	PLATE - top	1
9	C34561	ROD - hammer	4
10	C34562	HAMMER	24
11	C34563	SPACER - 7/8"	20
12	C34564	SPACER - 5/8"	4
13	C34565	SPACER - 5/16"	4
14	C34566	SPACER - body	1
15	C37355	ROD - screen and baffle	4
16	C34567	ROD - tie, body	2
17	C34568	BEARING - drive side	1
18	C37367	DAMPENER - vibration	4
19	C37366	FASTENER - push	2
20	113-207	BOLT - 3/8" - 16 x 1"	2
21	113-104	BOLT - 5/16" - 18 x 1-1/4"	8
22	113-102	BOLT - 5/16" - 18 x 3/4"	4
23	113-122	BOLT - 5/16" - 18 x 1-1/2"	2
24	131-178	NUT - lock 3/8" - 16	5
25	131-176	NUT - lock 5/16" - 18	12
26	C34573	PIN - groove	4
27	C16450	PIN - cotter, hair	4
28	C37364	GUARD - flex, hopper	1
29	C37357	PLATE - cover	1
30	131-911	NUT - 5/16" - 18 flange lock	1

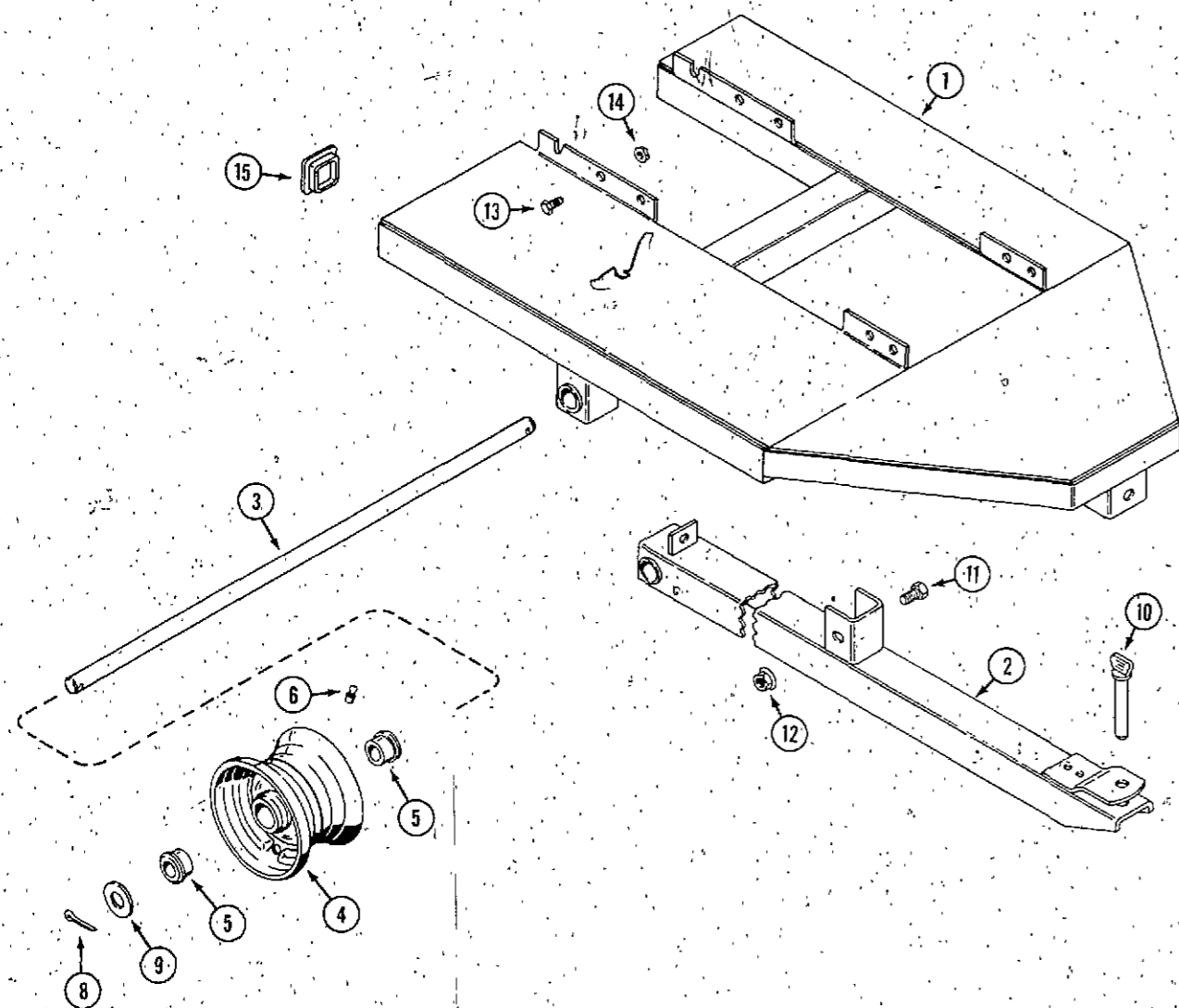


CHIPPER ASSEMBLY

REF.	PART NO	DESCRIPTION	REQ'D
1	C34557	PLATE - chipper side	1
2	113-208	BOLT - 3/8" - 16 x 1-1/4"	2
3	113-104	BOLT - 5/16" - 18 x 1-1/4"	2
4	131-178	NUT - lock 3/8" - 16	2
5	131-176	NUT - lock 5/16" - 18	5
6	C34580	PLATE - chipper cover	1
7	C37358	HOPPER - chipper	1
8	C34569	DISC - chipper	1
9	C34570	BUSHING	1
10	C34571	KNIFE	1
11	C34572	PLATE - wear	1
12	C37020	PIN - chipper cover	1
13	C34574	BEARING	1
14	C34576	RING - retaining	2
15	C34577	SCREW - set 3/8" - 16 x 5/8"	2
16	164-40	BOLT - 5/16" - 18 x 3/4"	3
17	C34578	SCREW - socket head 1/4" - 20 x 1"	3
18	195-518	WASHER - 1/4"	3
19	131-1102	NUT - lock 1/4" - 20	3
20	C34579	SCREW - sheet metal #6 - 32 x 3/8"	2
21	195-2134	WASHER - 1-3/16"	1
22	C29029	PIN - hair	1

REF. 21
ALTERNATE
LOCATION -

TRAILER AND WHEELS

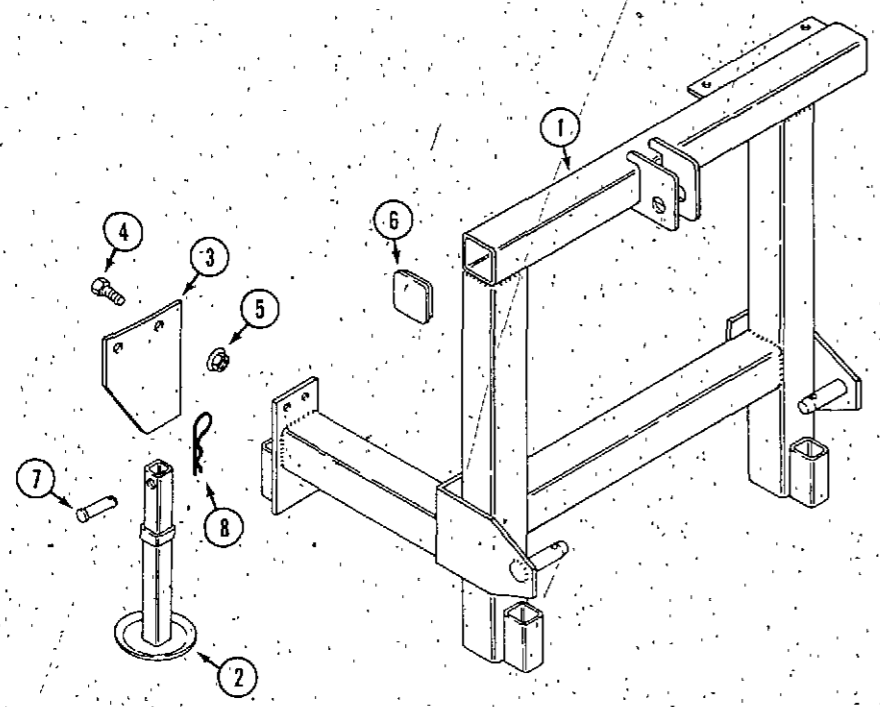


REF.	PART NO
1	C37001
2	C36950
3	C44373
4	C30928
5	C14221
6	219-10
8	132-306
9	195-553
10	C10888
11	113-206
12	131-938
13	113-102
14	131-911
15	C37368

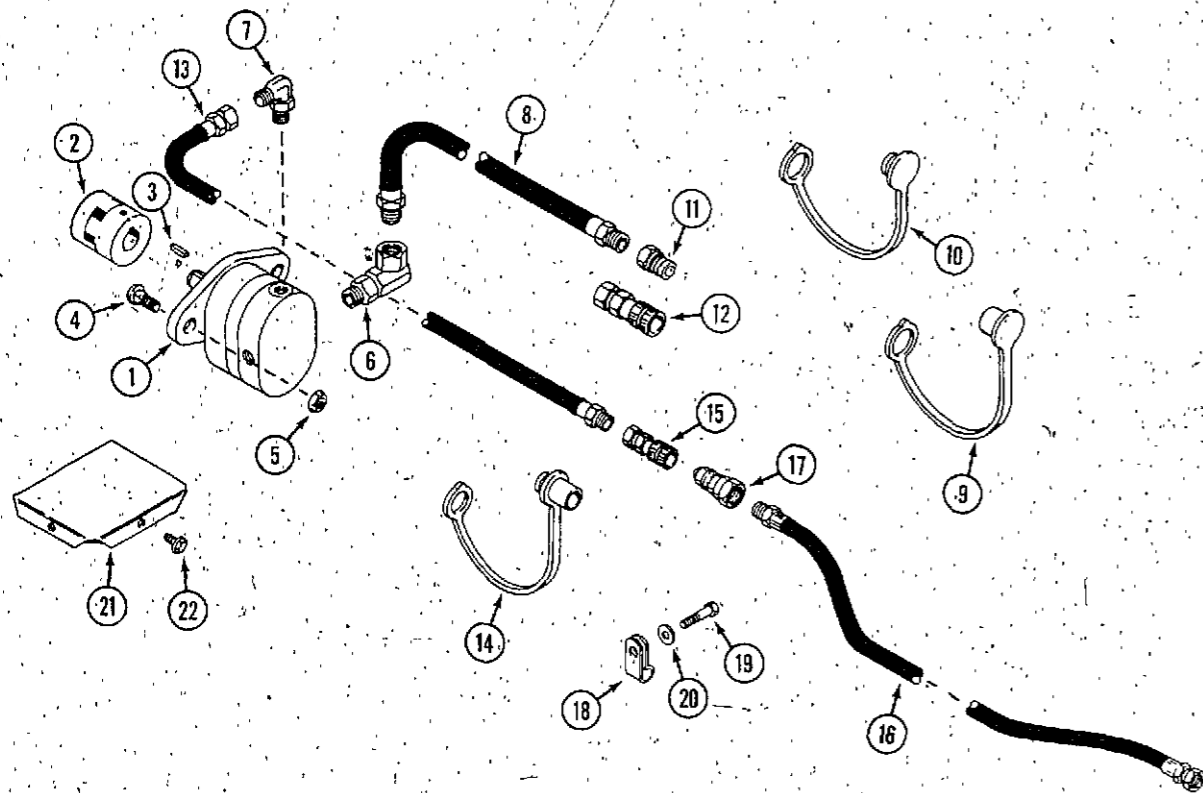
DESCRIPTION	REQD
FRAME - trailer	1
TONGUE	1
SHAFT - axle	1
RIM - wheel	2
BEARING	2
FITTING - lubrication	1
PIN - cotter - 3/16" x 1-3/4"	2
WASHER - 1" x 2"	2
PIN - hitch	1
BOLT - 3/8" - 16 x 3/4"	3
NUT - 3/8" - 16 flange lock	3
BOLT - 5/16" - 18 x 3/4"	8
NUT - 5/16" - 18 flange lock	8
CAP - tube	2

NOTE - Obtain tires locally.

FRAME AND LEGS



REF.	PART NO.	DESCRIPTION	REQ'D
1	C37179	FRAME - hitch	1
2	C37184	LEG - rear (shown)	2
2	C37182	LEG - front	2
3	C37186	BRACKET - mounting, rear leg L.H.	1
4	113-118	BOLT - 5/16" - 18 x 5/8"	7
5	131-911	NUT - 5/16" - 18 flange lock	7
6	C37368	CAP - tube	2
7	C32214	PIN - clevis	4
8	C16450	PIN - hair	4

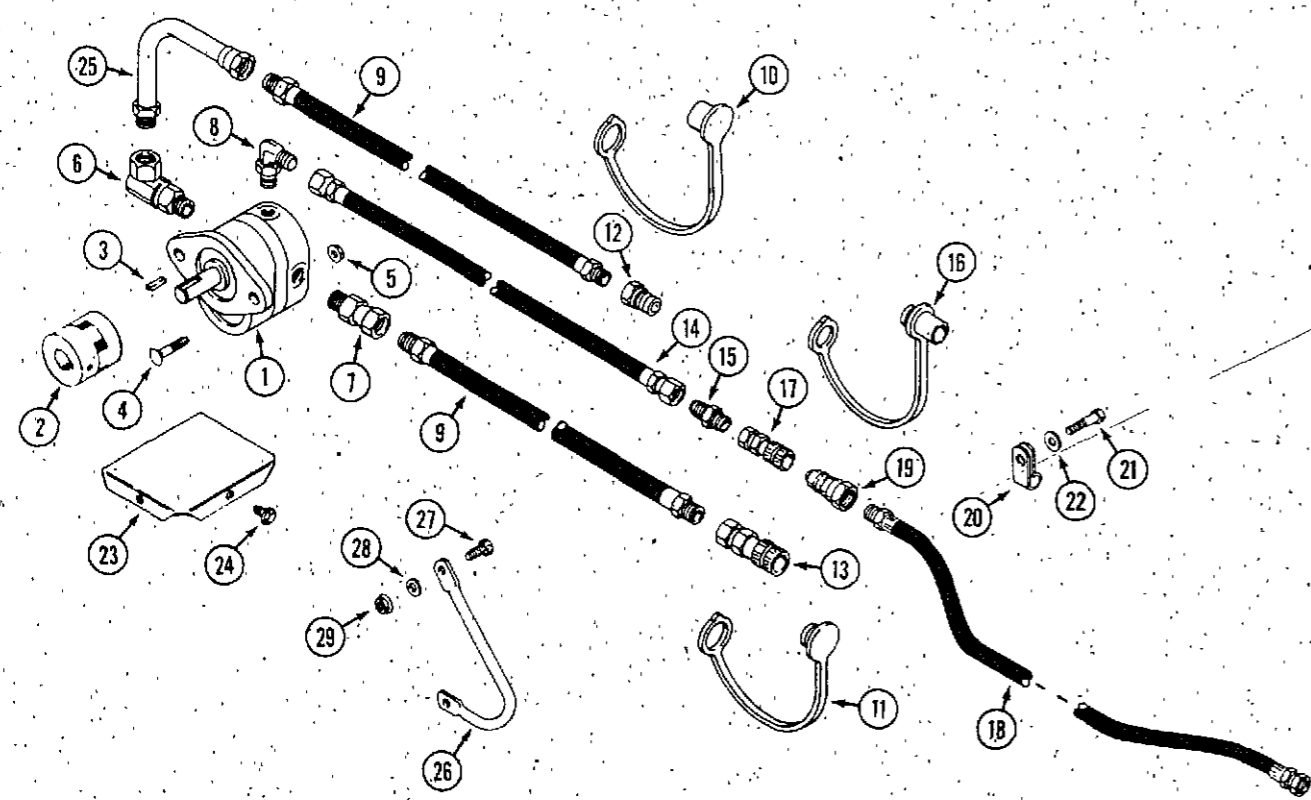


REF.	PART NO.
1	NSS
1	NSS
2	C46056
	C33268
	C32199
3	C31976
4	111-366
5	131-1352
6	218-5201
7	218-5105
8	C42496
9	C40641
10	C40642
11	C37187
12	C37188
13	C42497
14	C33404
15	C41044
16	C33864
17	C41043
18	C33218
19	113-132
20	195-518
21	C37003
22	187-1036

HYDRAULIC SYSTEM (HS24H, AHS24H)

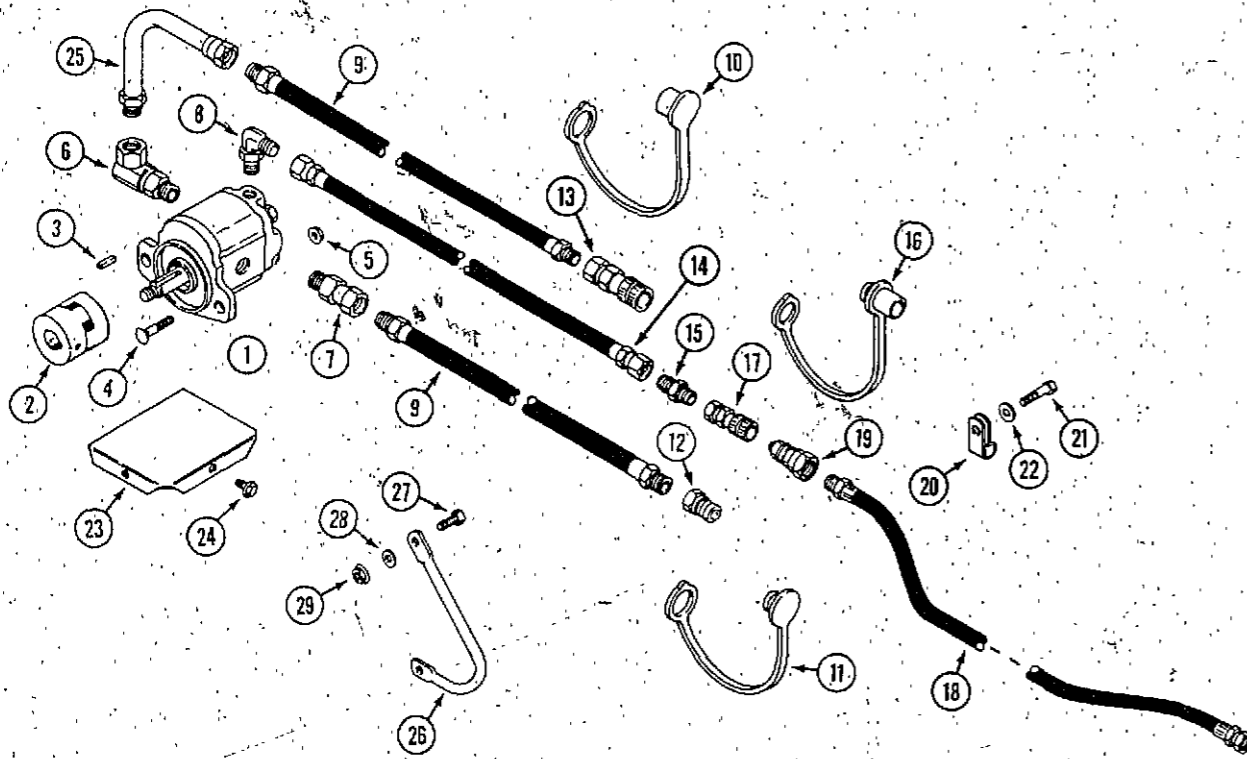
DESCRIPTION	REQ'D
MOTOR - hydraulic (HS24H) see page 17 for repairs	1
MOTOR - hydraulic (AHS24H) see page 17 for repairs	1
COUPLING - drive	1
INSERT - rubber	1
SCREW - set 5/16" - 18 x 5/16"	3
KEY - 1/4" square, 1-1/4" long	1
BOLT - 3/8" - 16 x 1-1/4" carriage	2
NUT - 3/8" - 16 flange lock	2
FITTING - motor, main ports (includes 218-5007 "O" ring)	2
FITTING - case drain (includes 218-5005 "O" ring)	1
HOSE - hydraulic 1/2" x 27"	2
CAP - dust	1
PLUG - dust	1
COUPLING - quick, male	1
COUPLING - quick, female	1
HOSE - hydraulic 1/4" x 21"	1
CAP/PLUG - dust, case drain couplings	1
COUPLING - quick, female, case drain	1
HOSE - hydraulic 1/4" x 42" (HS24H)	1
COUPLING - quick, male (HS24H) case drain	1
CLAMP - hose (HS24H)	1
BOLT - 1/4" - 20 x 1-3/4" (HS24H)	1
WASHER - 1/4" (HS24H)	1
COVER - motor	1
SCREW - 1/4" - 20 x 1/2" self tap	3

**HYDRAULIC SYSTEM (HS24W, AHS24W)
(before PIN 070604013)**



1	NSS
1	NSS
2	C46056
	C33268
	C32199
3	C31976
4	111-366
5	131-1352
6	218-5201
7	218-5251
8	218-5105
9	C40724
10	C40641
11	C40642
12	C37187
13	C37188
14	C37394
15	218-443
16	C33404
17	C41044
18	C33864
19	C41043
20	C33218
21	113-132
22	195-518
23	C37003
24	187-1036
25	C29882
26	C42191
27	113-102
28	195-521
29	131-911

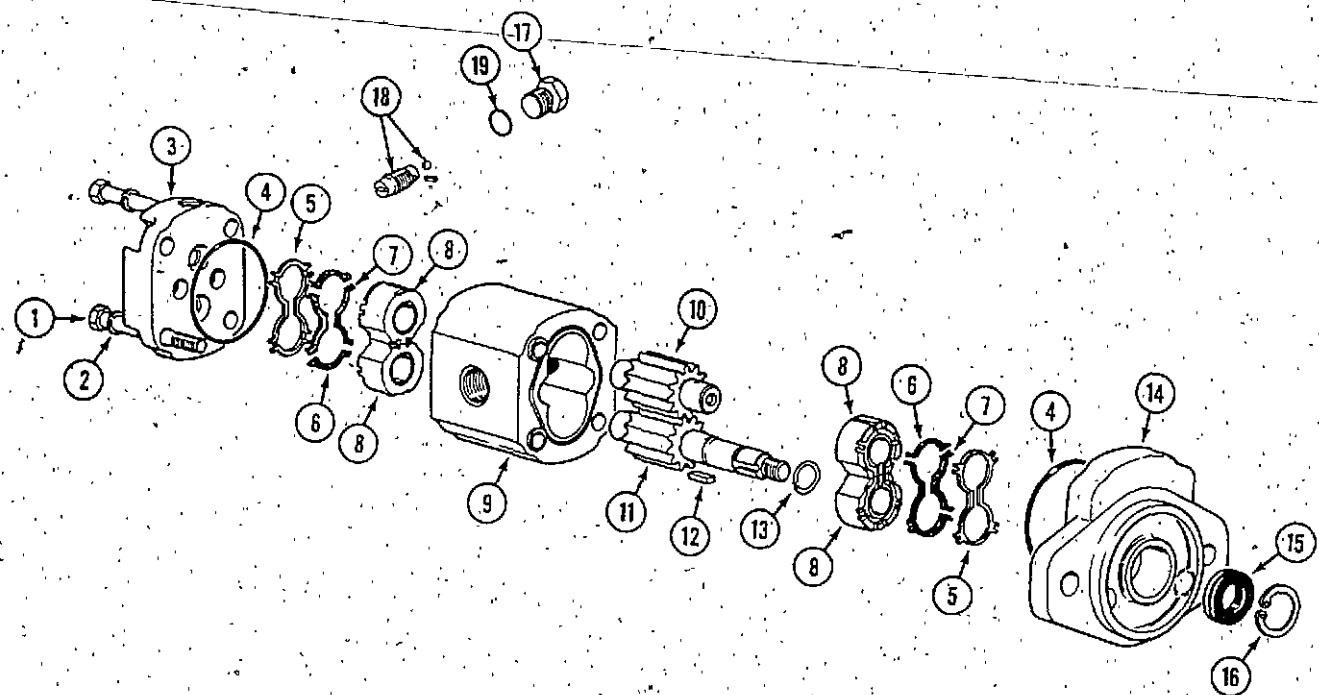
DESCRIPTION	REQ'D
MOTOR - hydraulic (HS24W) repairs page 17) (Danfoss)	1
MOTOR - hydraulic (AHS24W) repairs page 17) (Danfoss)	1
COUPLING - drive	1
INSERT - rubber	1
SCREW - set 5/16" - 18 x 5/16"	3
KEY - 1/4" square, 1-1/4" long	1
BOLT - 3/8" - 16 x 1-1/4" carriage	2
NUT - 3/8" - 16 flange lock	2
FITTING - 90° inlet (includes 218-5007 "O" ring)	1
FITTING - outlet (includes 218-5007 "O" ring)	1
FITTING - 90° case drain (includes 218-5005 "O" ring)	1
HOSE - hydraulic 1/2" x 56"	2
CAP - dust	1
PLUG - dust	1
COUPLING - quick, male	1
COUPLING - quick, female	1
HOSE - hydraulic 1/4" x 51"	1
FITTING	1
CAP/PLUG - dust, case drain couplings	1
COUPLING - quick, female	1
HOSE - hydraulic 1/4" x 42" (HS24W)	1
COUPLING - quick, male (HS24W)	1
CLAMP - hose (HS24W)	1
BOLT - 1/4" - 20 x 1-3/4" (HS24W)	1
WASHER - 1/4" (HS24W)	1
COVER - motor	1
SCREW - 1/4" - 20 X 1/2" self tap	3
TUBE - inlet	1
RETAINER - hose	1
BOLT - 5/16" - 18 x 3/4"	1
WASHER - 5/16"	1
NUT - 5/16" - 18	1



HYDRAULIC SYSTEM (HS24W, AHS24W)
(Use PIN 070604013 and after)

REF.	PART NO.	DESCRIPTION	REQ'D
1	C46234	MOTOR - hydraulic (HS24W) repairs page 17	1
1	C46236	MOTOR - hydraulic (AHS24W) repairs page 17	1
2	C46355	COUPLING - drive	1
	C33268	INSERT - rubber	1
	C32199	SCREW - set 5/16" - 18 x 5/16"	4
3	C31976	KEY - 1/4" square, 1-1/4" long	1
4	111-366	BOLT - 3/8" - 16 x 1-1/4" carriage	2
5	131-1352	NUT - 3/8" - 16 flange lock	2
6	218-5201	FITTING - 90° inlet (includes 218-5007 "O" ring)	1
7	218-5251	FITTING - outlet (includes 218-5007 "O" ring)	1
8	218-5105	FITTING - 90° case drain (includes 218-5005 "O" ring)	1
9	C40724	HOSE - hydraulic 1/2" x 56"	2
10	C40641	CAP - dust	1
11	C40642	PLUG - dust	1
12	C37187	COUPLING - quick, male	1
13	C37188	COUPLING - quick, female	1
14	C37394	HOSE - hydraulic 1/4" x 51"	1
15	218-443	FITTING	1
16	C33404	CAP/PLUG - dust, case drain couplings	1
17	C41044	COUPLING - quick, female	1
18	C33864	HOSE - hydraulic 1/4" x 42" (HS24W)	1
19	C41043	COUPLING - quick, male (HS24W)	1
20	C33218	CLAMP - hose (HS24W)	1
21	113-132	BOLT - 1/4" - 20 x 1-3/4" (HS24W)	1
22	195-518	WASHER - 1/4" (HS24W)	1
23	C37003	COVER - motor	1
24	187-1036	SCREW - 1/4" - 20 x 1/2" self tap	3
25	C29882	TUBE - inlet	1
26	C42191	RETAINER - hose	1
27	113-102	BOLT - 5/16" - 18 x 3/4"	1
28	195-521	WASHER - 5/16"	1
29	131-911	NUT - 5/16" - 18	1

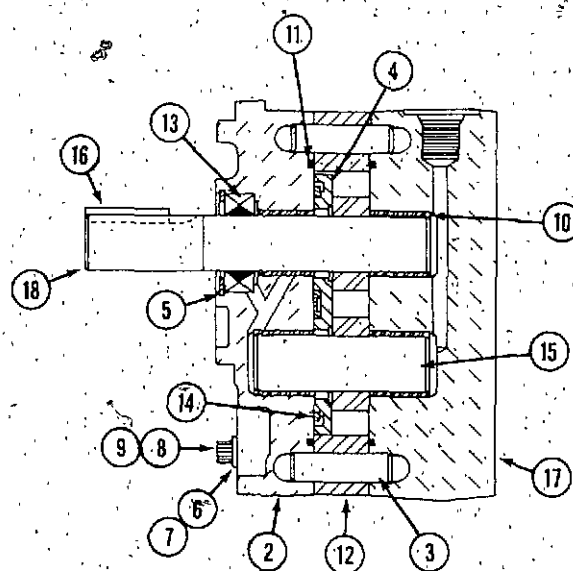
UAR



**HYDRAULIC MOTOR
(ULTRA)**

REF.	PART NO.	DESCRIPTION	REQ'D
	C46236	MOTOR - hydraulic (ultra) AHS24W	1
	C46234	MOTOR - hydraulic (ultra) HS24W	1
1	NSS	BOLT	4
2	NSS	LOCKWASHER	4
3	NSS	COVER - end	1
4	NSS	"O" RING - body (included in seal kit)	2
5	NSS	SEAL - backup (included in seal kit)	2
6	NSS	SEALS - bushings (included in seal kit)	4
7	NSS	SEALS - bushings (included in seal kit)	4
8	NSS	BUSHING	4
9	NSS	BODY	1
10	NSS	GEAR - driven	1
11	NSS	SHAFT AND GEAR - drive	1
12	C46237	KEY - square 3/16" x 3/4" (included in seal kit)	1
13	NSS	RING - retaining (included in seal kit)	1
14	NSS	FLANGE - mounting	1
15	C43748	SEAL - oil (included in seal kit)	1
16	NSS	RING - retaining (included in seal kit)	1
17	NSS	CAP - check valve	1
18	NSS	VALVE - check	1
19	NSS	"O" RING - cap (included in seal kit)	1
	C43747	KIT - seal	1

**HYDRAULIC MOTOR
(DANFOSS)**



1	NSS*	MOTOR - hydraulic	1
2	NSS	BODY - motor, drive end	1
3	NSS	PIN - dowel	2
4	NSS	PLATE - wear	1
5	C40807	RING - retainer	1
6	C40808	WASHER - 5/16"	4
7	C40809	WASHER - 3/8"	4
8	C40810	SCREW - socket head 5/16" - 18	4
9	C40811	SCREW - socket head 3/8" - 16	4
10	NSS	BEARING	4
11	C40813	SEAL - ring	2
12	NSS	PLATE - gear	1
13	C40815	SEAL - oil	1
14	NSS	SEAL - load	1
15	NSS	SHAFT AND GEAR - driven	1
16	C40818	KEY - square 3/16" x 1.12"	1
17	NSS	COVER - rear	1
	C40820	PLUG - small (not shown)	2
	C40821	CARTRIDGE - check	1
	C40822	PLUG - large (not shown)	1
18	NSS	SHAFT AND GEAR - drive	1

* HS24W, HS24H use C46212 Kit
AHS24W, AHS24H use C46215 kit

DECALS

REF.	PART NO.	DESCRIPTION	REQ'D
1	C37360	DECAL - rotating blades	1
2	C37361	DECAL - "caution", small	2
3	C37362	DECAL - "caution", large	1
4	C31050	DÉCAL - "INGERSOLL"	2

③

CAUTION

1. READ INSTRUCTIONS AND OPERATOR'S MANUAL BEFORE STARTING MACHINE.
2. KEEP HANDS, FACE, LOOSE CLOTHING, CHILDREN AND PETS AWAY FROM DISCHARGE AREA, INTAKE HOPPER AND MOVING PARTS OF SHREDDER.
3. USE APPROVED SAFETY GLASSES AND GLOVES WHEN OPERATING MACHINE.
4. CHILDREN MUST NOT BE ALLOWED TO OPERATE THIS MACHINE.
5. NEVER RUN THIS MACHINE IN AN ENCLOSED AREA.
6. THIS MACHINE MUST BE OPERATED ON A LEVEL, EARTHEN SURFACE.
7. DO NOT USE HANDS OR METAL INSTRUMENTS TO PROD MATERIAL INTO FEED HOPPER. IF SHREDDER JAMS, TURN OFF ENGINE AND USE A WOODEN STICK TO CLEAR OBSTRUCTION.
8. DO NOT USE HANDS TO CLEAR AWAY MATERIAL FROM THE DISCHARGE AREA.
9. FOR SAFETY, KEEP HINGED COVER DOWN TO REDUCE CHANCE OF EJECTING MATERIAL FROM HOPPER.
10. NEVER INSTALL OR REMOVE GRINDING SCREEN WITH THE ENGINE RUNNING.

①

ROTATING CUTTING BLADES - KEEP HANDS AND FEET OUT OF DISCHARGE AND INLET OPENING WHILE MACHINE IS RUNNING.

②

CAUTION

1. ROTATING CUTTING BLADES - KEEP HANDS OUT OF INLET OPENING WHILE MACHINE IS RUNNING.
2. READ INSTRUCTIONS THOROUGHLY BEFORE OPERATING THE MACHINE.
3. KEEP STONES, NAILS AND ALL OBJECTS OTHER THAN BRANCHES LARGER THAN 1" OUT OF THE SHREDDER HOPPER.
4. NEVER OPERATE THE CHIPPER WITHOUT THE FEED CHUTE SECURELY IN PLACE.
5. USE GLOVES AND APPROVED SAFETY GLASSES WHEN OPERATING.
6. DO NOT INSERT HANDS OR METAL OBJECTS INTO THE FEED HOPPER OR DISCHARGE CHUTE WHEN THE MACHINE IS RUNNING. IF JAMMED, TURN ENGINE OFF AND REMOVE STAKE PLUG WWW BEFORE CLEARING THE OBSTRUCTION.
7. DO NOT ALLOW BYSTANDERS, ESPECIALLY CHILDREN, NEAR THE MACHINE.
8. KEEP HANDS, FACE AND LOOSE CLOTHING AWAY FROM MOVING PARTS.

④

INGERSOLL

NUMERICAL INDEX

PART NO.	PAGE NO.	REF. NO.	PART NO.	PAGE NO.	REF. NO.	PART NO.	PAGE NO.	REF. NO.
C10888	9	10	C37355	5	15	113-	208	7 2
C14221	9	5	C37356	5	7	113-	911	9 14
C16450	5	27	C37357	5	29	131-	176	5 25
C16450	11	8	C37358	7	7	131-	176	7 5
C28236	9	7	C37360	19	1	131-	178	5 24
C29029	7	22	C37361	19	2	131-	178	7 4
C29882	13	25	C37362	19	3	131-	911	5 30
C29882	15	25	C37363	5	2	131-	911	11 5
C30928	9	4	C37364	5	28	131-	911	13 29
C31050	19	4	C37366	5	19	131-	911	15 29
C31976	13	3	C37367	5	18	131-	938	9 12
C31976	13	3	C37368	9	15	131-	1102	7 19
C31976	15	3	C37368	11	6	131-	1352	13 5
C32199	13		C37394	13	14	131-	1352	13 5
C32199	13		C37394	15	14	131-	1352	15 5
C32199	15		C40641	13	9	132-	306	9 8
C32214	11	7	C40641	13	10	164-	40	7 16
C33218	13	18	C40641	15	10	187-	1036	13 22
C33218	13	20	C40642	13	10	187-	1036	13 24
C33218	15	20	C40642	13	11	187-	1036	15 24
C33268	13		C40642	15	11	195-	518	7 18
C33268	13		C40724	13	9	195-	518	13 20
C33268	15		C40724	15	9	195-	518	13 22
C33404	13	14	C40807	17	5	195-	518	15 22
C33404	13	16	C40808	17	6	195-	521	13 28
C33404	15	16	C40809	17	7	195-	521	15 28
C33864	13	16	C40810	17	8	195-	553	9 9
C33864	13	18	C40811	17	9	195-	2134	7 21
C33864	15	18	C40813	17	11	218-	443	13 15
C34556	5	1	C40815	17	13	218-	443	15 15
C34557	5	3	C40818	17	16	218-	5105	13 7
C34557	7	1	C40820	17		218-	5105	13 8
C34558	5	4	C40821	17		218-	5105	15 8
C34559	5	5	C40822	17		218-	5201	13 6
C34560	5	8	C41043	13	17	218-	5201	13 6
C34561	5	9	C41043	13	19	218-	5201	15 6
C34562	5	10	C41043	15	19	218-	5251	13 7
C34563	5	11	C41044	13	15	218-	5251	15 7
C34564	5	12	C41044	13	17	219-	10	9 6
C34565	5	13	C41044	15	17			
C34566	5	14	C42191	13	26			
C34567	5	16	C42191	15	26			
C34568	5	17	C42496	13	8			
C34569	7	8	C42497	13	13			
C34570	7	9	C43747	17				
C34571	7	10	C43748	17	15			
C34572	7	11	C44373	9	3			
C34573	5	26	C46056	13	2			
C34574	7	13	C46056	13	2			
C34576	7	14	C46234	15	1			
C34577	7	15	C46234	17				
C34578	7	17	C46236	15	1			
C34579	7	20	C46236	17				
C34580	7	6	C46237	17	12			
C36950	9	2	C46355	15	2			
C37001	9	1	111-	118	11 4			
C37003	13	21	111-	366	13 4			
C37003	13	23	111-	366	13 4			
C37003	15	23	111-	366	15 4			
C37020	7	12	113-	104	7 3			
C37179	11	1	113-	102	5 22			
C37182	11	2	113-	102	9 13			
C37184	11	2	113-	102	13 27			
C37186	11	3	113-	102	15 27			
C37187	13	11	113-	104	5 21			
C37187	13	12	113-	122	5 23			
C37187	15	12	113-	132	13 19			
C37188	13	12	113-	132	13 21			
C37188	13	13	113-	132	15 21			
C37188	15	13	113-	206	9 11			
C37354	5	6	113-	207	5 20			

INGERSOLL

Ingersoll Equipment Co., Inc.