

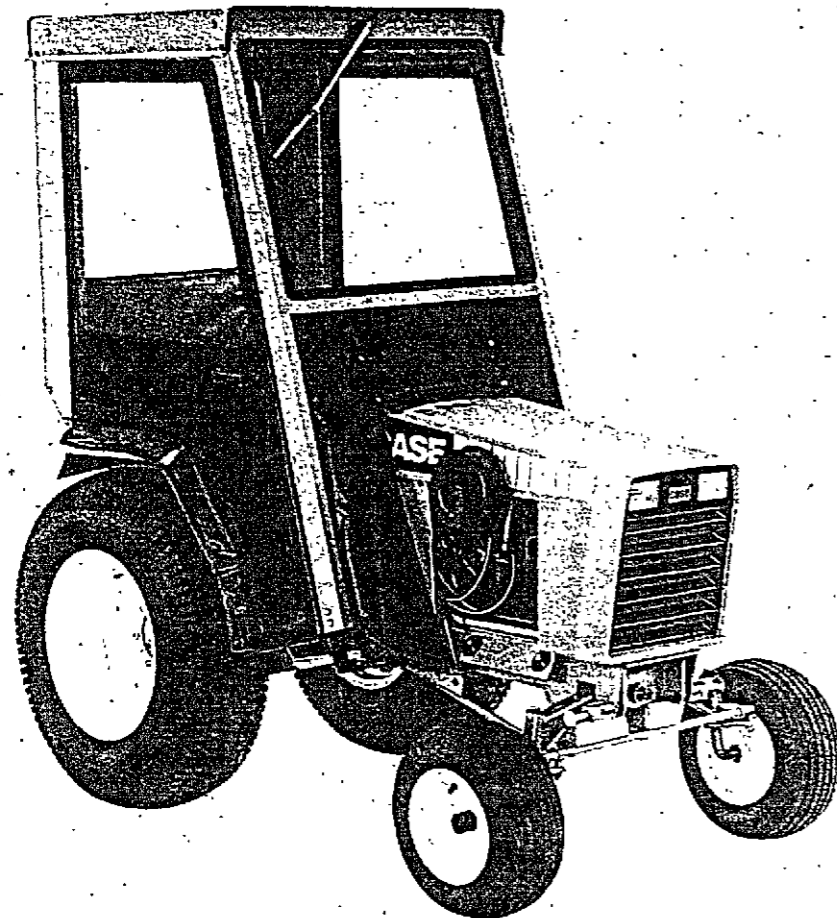
MODELS J1, J2, K1, K2

CABS

Parts Catalog No. B1326

10-80-OP-2000

This catalog replaces the previous issue A1326, which is obsolete and should be discarded.



**ALPHABETICAL INDEX**

	PAGE	GRID
Cover, Motor .....	13	C12
Door .....	9-11	C8-C10
Extension, Exhaust .....	13	C12
Frame .....	5-7	C4-C6
Roof .....	5-7	C4-C6
Window, Front .....	13	C12
Window, Rear .....	9-11	C8-C10

**NOTE:** See grid A2 for -  
L90, M90, N90, P90, R90,  
S90 Lawn Sweeper

**NOTE:** See grid B2 for -  
H90, K90 Lawn Sweeper

**NOTE:** See grid D2 for -  
E60, F60, E62 Dump Carts  
E65 Extensions

**NOTE:** See grid E2 for -  
J31, K31, J32, K32, L32, J34, K34,  
L34, K36 Wood Splitters

MODEL DESIGNATION	TRACTOR APPLICATION						
	210	220	222	224	442	444	446
J-1	X	X	X	X			
K-1*		X	X	X			
J-2, K-2					X	X	X

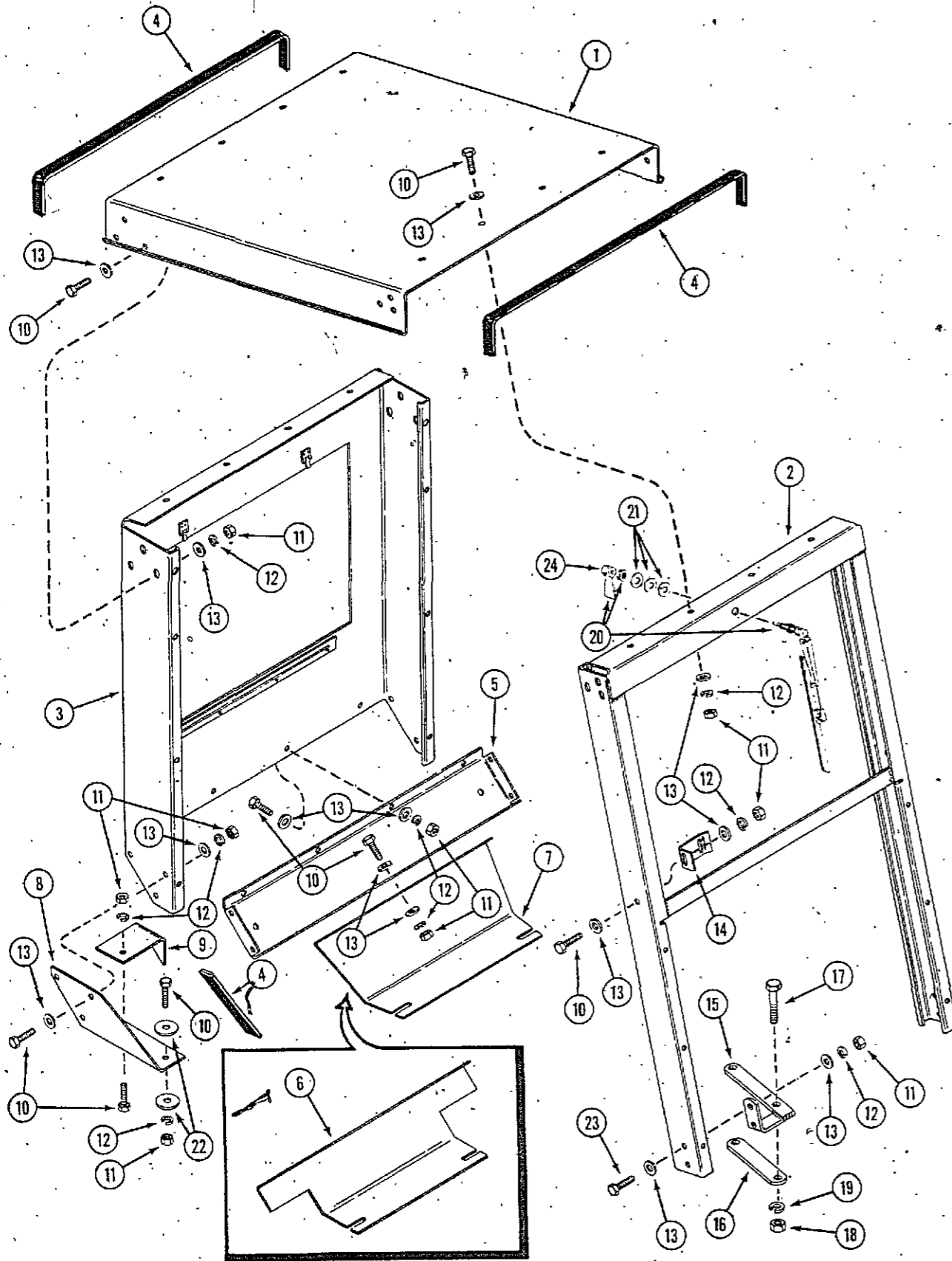
\*use on tractors with hydraulic lift only

**J I Case**  
A Tenneco Company

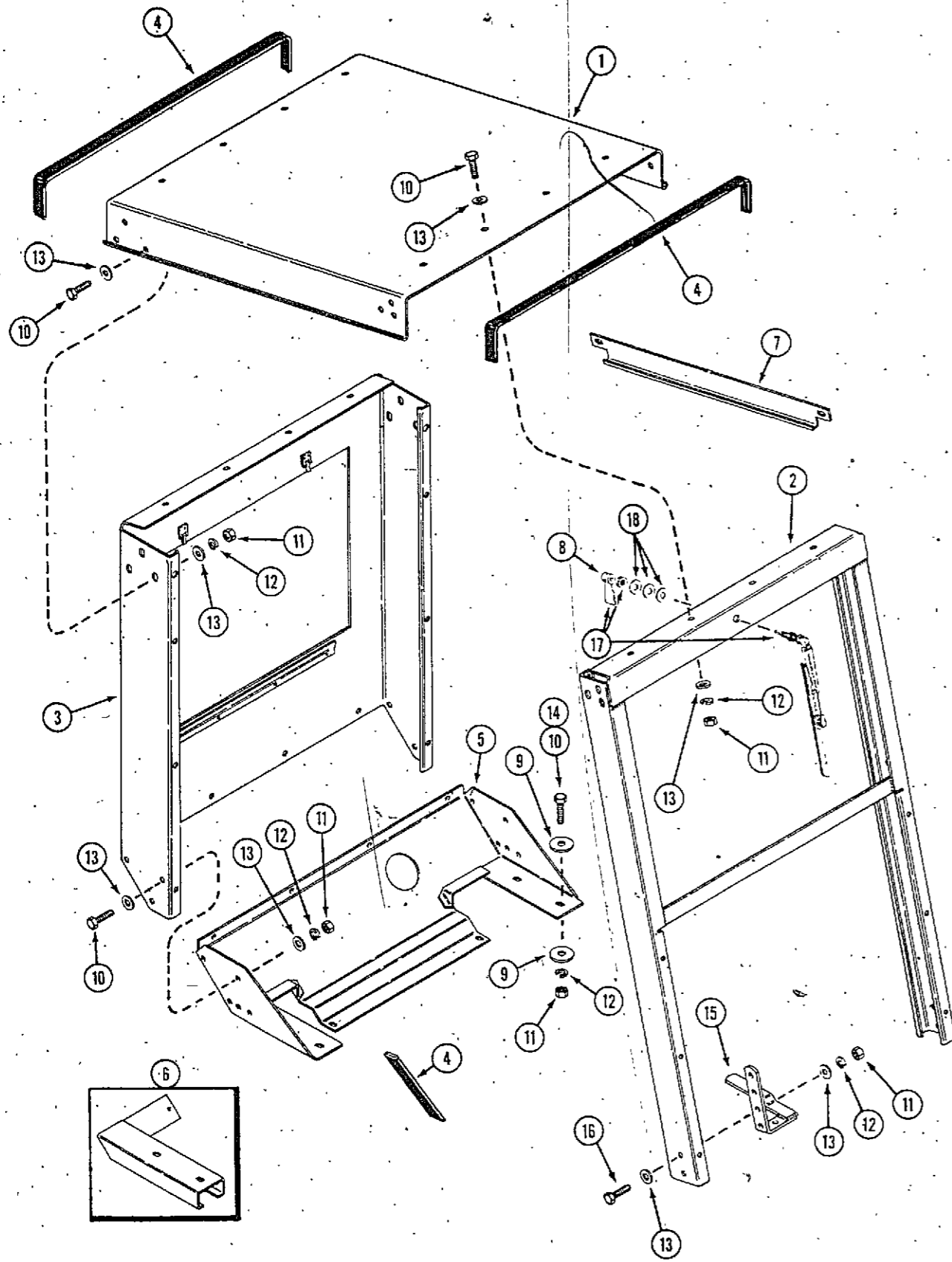


OPE Division  
Technical Publications  
119 S. First Street  
Winneconne, Wis. 54986

ROOF, FRONT AND REAR FRAME (J-1, J-2)



REF.	PART NUMBER	DESCRIPTION	REQ'D
1	C 25507	ROOF	1
2	C 25517	FRAME - front (J-1)	1
2	C 25518	FRAME - front (J-2) shown	1
3	C 25508	FRAME - rear (J-1)	1
3	C 25509	FRAME - rear (J-2) shown	1
4	C 19598	MOLDING - channel, vinyl, 16' (4.9 m) roll	1
5	C 19571	PANEL - rear, lower	1
6	C 19602	MOUNT - rear, center (J-1)	1
7	C 19576	MOUNT - rear, center (J-2)	1
8	C 19600	MOUNT - rear, L.H. (J-1)	1
8	C 19572	MOUNT - rear, L.H. (J-2)	1
8	C 19601	MOUNT - rear, R.H. (J-1)	1
8	C 19573	MOUNT - rear, R.H. (J-2)	1
9	C 19574	FILLER - rear, L.H. (J-2)	1
9	C 19575	FILLER - rear, R.H. (J-2)	1
10	113- 3	BOLT - 1/4" - 20 x 3/4" hex head	41
11	129- 101	NUT - 1/4" - 20 hex	45
12	192- 19	LOCKWASHER - 1/4"	45
13	195- 102	WASHER - 1/4"	82
14	C 19578	CATCH - latch, door	2
15	C 19579	MOUNT - front L.H.	1
15	C 19580	MOUNT - front R.H.	1
16	C 19581	STRAP - mount, front	2
17	113- 122	BOLT - 5/16" - 18 x 1-1/2" hex head	4
18	129- 102	NUT - 5/16" - 18 hex	4
19	192- 20	LOCKWASHER - 5/16"	4
20	C 19569	WIPER - windshield	1
21	195- 104	WASHER - 3/4"	3
22	195- 2014	WASHER - 1/4" x 1-1/4"	4
23	113- 4	BOLT - 1/4" - 20 x 1"	4
24	C 25228	LEVER - wiper	1
	176- 425	SET SCREW - #10 - 24 x 3/16"	1

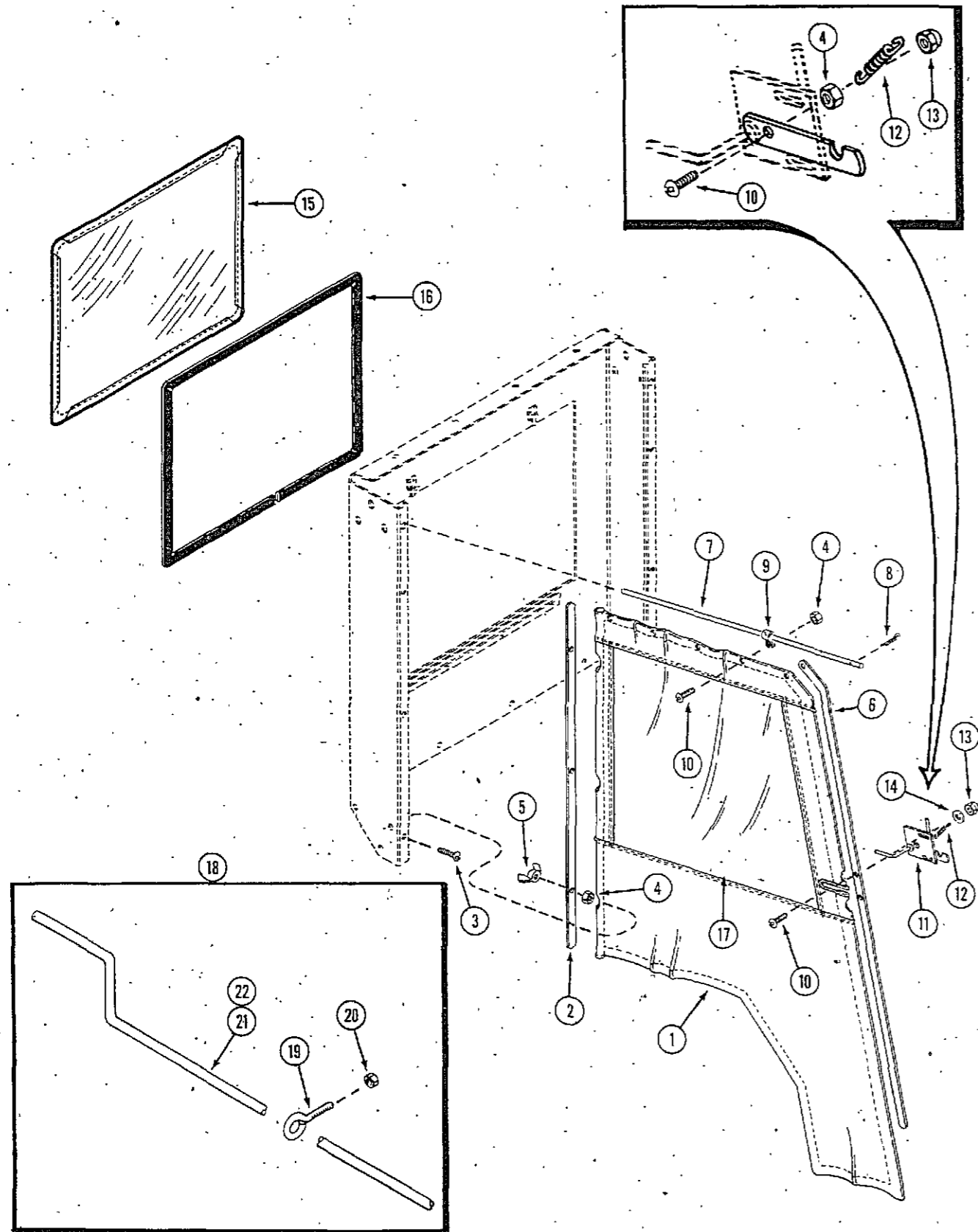


ROOF, FRONT AND REAR FRAME (K-1, K-2)

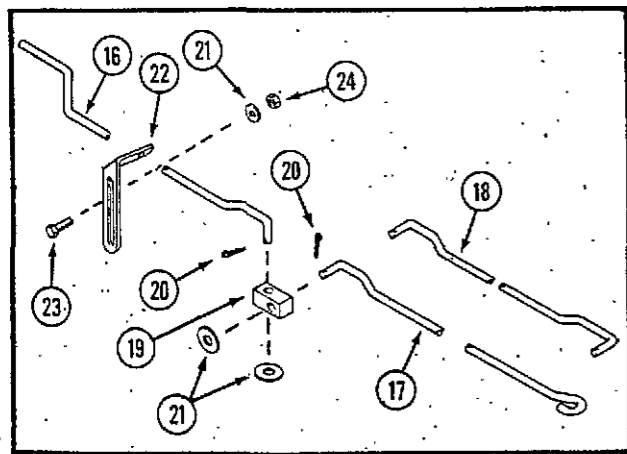
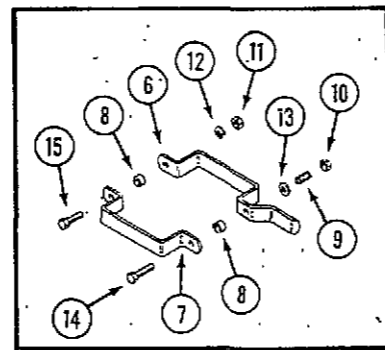
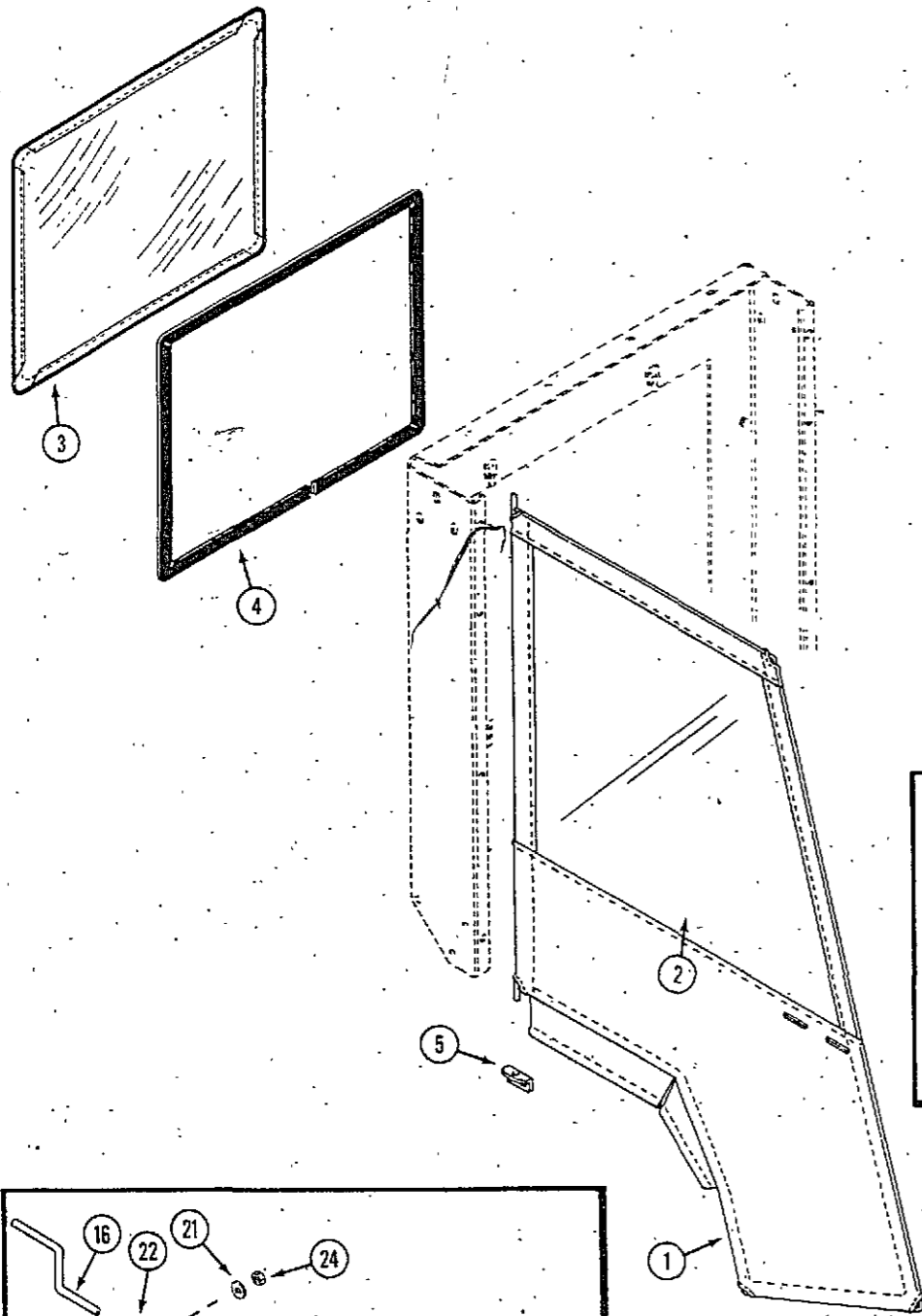
REF.	PART NUMBER	DESCRIPTION	REQ'D
1	C 25507	ROOF .....	1
2	C 25517	FRAME - front (K-1) .....	1
2	C 25518	FRAME - front (K-2) .....	1
3	C 25508	FRAME - rear (K-1) .....	1
3	C 25509	FRAME - rear (K-2) .....	1
4	C 19598	MOLDING - channel, vinyl 16' (4.9m) .....	1
5	C 25510	PANEL - rear, mounting (K-1) .....	1
5	C 25511	PANEL - rear, mounting (K-2) .....	1
6	C 25512	SPACER - L.H. (K-1) (use on older tractors) .....	1
6	C 25514	SPACER - R.H. (K-1) (use on older tractors) .....	1
6	C 25513	SPACER - L.H. (K-2) (use on older tractors) .....	1
6	C 25515	SPACER - R.H. (K-2) (use on older tractors) .....	1
7	C 25516	FRAME - door, upper .....	2
8	C 25228	HANDLE - wiper .....	1
	176- 425	SET SCREW - #10 - 24 x 3/16" .....	1
9	195- 2014	WASHER - 1/4" x 1-1/4" .....	4
10	113- 3	BOLT - 1/4" - 20 x 3/4" hex .....	41
11	129- 101	NUT - 1/4" - 20 hex .....	45
12	192- 19	LOCK WASHER - 1/4" .....	45
13	195- 102	WASHER - 1/4" .....	82
14	113- 12	BOLT - 1/4" - 20 x 2-1/2" hex (K-1), used with item 6 on older tractors .....	4
14	113- 14	BOLT - 1/4" - 20 x 2" (K-2), used with item 6 on older tractors .....	4
15	C 25519	MOUNT - front L.H. .....	1
15	C 25520	MOUNT - front R.H. .....	1
16	113- 4	BOLT - 1/4" - 20 x 1" .....	4
17	C 19569	WIPER - windshield .....	1
18	195- 104	WASHER - 3/4" .....	3

DOOR AND REAR WINDOW (J1, J2)

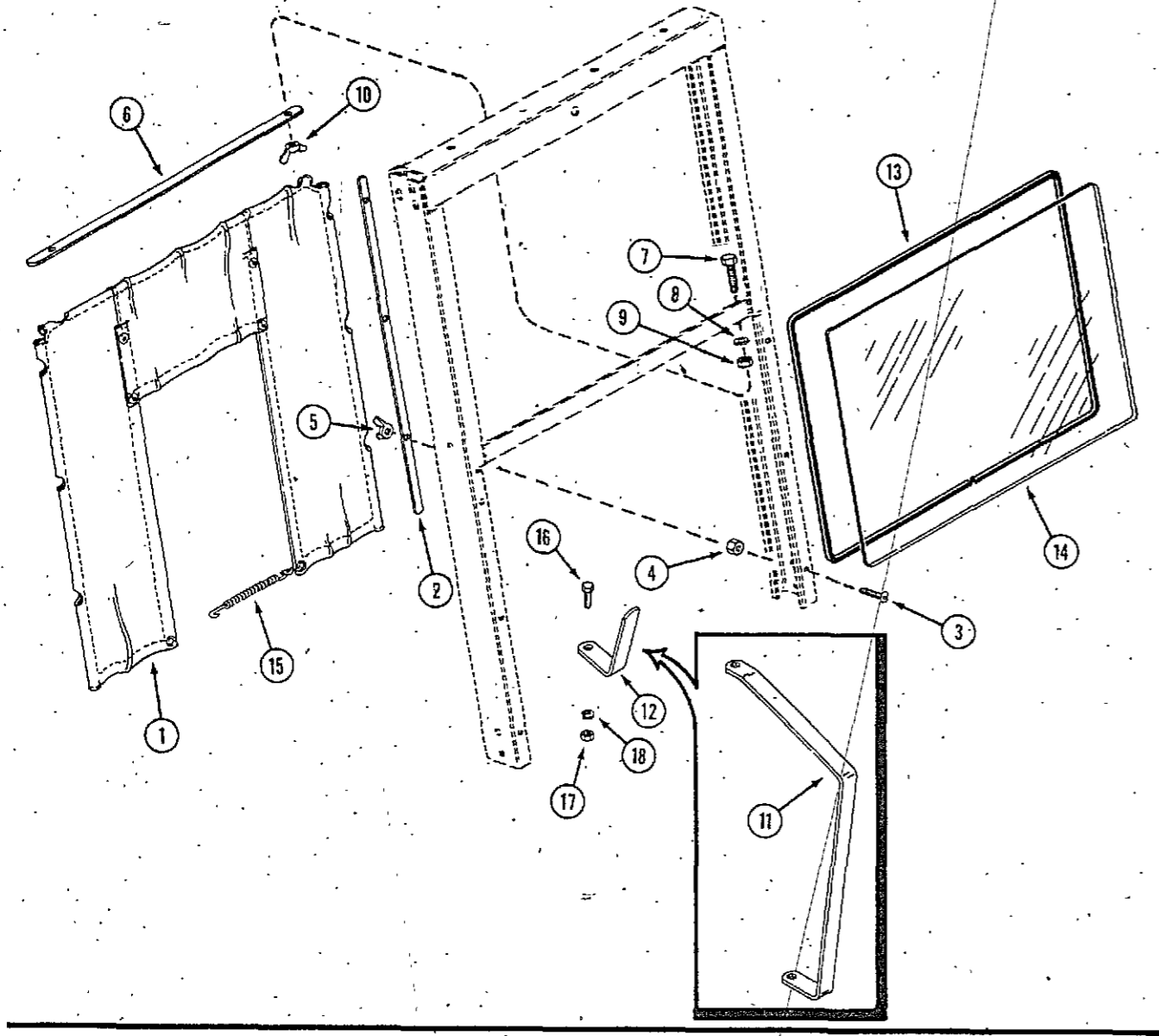
REF.	PART NUMBER	DESCRIPTION	REQ'D
1	C 19609	DOOR - L.H. (J-1) (includes item 17) yellow	1
1	C 19593	DOOR - L.H. (J-2) (includes item 17) yellow	1
1	C 19610	DOOR - R.H. (J-1) (includes item 17) yellow	1
1	C 19594	DOOR - R.H. (J-2) (includes item 17) yellow	1
1	C 25266	DOOR - L.H. (J-2) (includes item 17) black	1
1	C 25267	DOOR - L.H. (J-2) (includes item 17) black	1
1	C 25268	DOOR - R.H. (J-1) (includes item 17) black	1
1	C 25269	DOOR - R.H. (J-1) (includes item 17) black	1
2	C 19608	STRAP - door support, rear (J-1)	2
2	C 19592	STRAP - door support, rear (J-2)	2
3	182- 518	SCREW - #10 - 24 x 3/4"	6
4	129- 17	NUT - #10 - 24 hex	18
5	129- 402	WING NUT - #10 - 24	6
6	C 19607	STRAP - door support, front (J-1)	2
6	C 19588	STRAP - door support, front (J-2)	2
7	C 19591	ROD - door	2
8	132- 321	PIN - cotter - 3/32" x 1"	2
9	C 19589	CLIP - door slide	10
10	182- 516	SCREW - #10 - 24 x 1/2"	16
11	C 19586	LATCH - door L.H.	1
11	C 19587	LATCH - door R.H.	1
12	C 19595	SPRING - latch, door	2
13	129- 642	NUT - acorn #10 - 24	6
14	195- 516	WASHER - 3/16"	4
15	C 19590	WINDOW - rear, plastic	1
16	C 19598	MOLDING - channel, vinyl (16' roll)	1
17	C 23864	WINDOW - door, plastic	2
18	C 24860	KIT - extension, handle	1
19	C 10792	EYE BOLT - 1/4"	1
20	129- 101	NUT - 1/4" - 20	2
21	C 24721	HANDLE - crank (K80 - K84)	1
22	C 25026	HANDLE - crank (L80 - L84)	1
23	C 25696	KIT - rigid doors and inside chute crank (J-1 with hyd. lift)	1
23	C 25697	KIT - rigid doors and inside chute crank (J-2)	1



DOOR, REAR WINDOW AND SNOWCASTER CHUTE CONTROL (K1, K2)

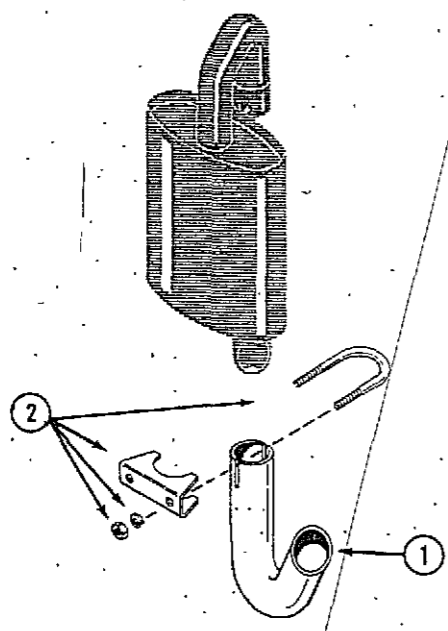


REF.	PART NUMBER	DESCRIPTION	REQ'D
1	C 25528	DOOR - L.H. (K-1)	1
1	C 25529	DOOR - L.H. (K-2)	1
1	C 25530	DOOR - R.H. (K-1)	1
1	C 25531	DOOR - R.H. (K-2)	1
2	C 23864	WINDOW - door, plastic	1
3	C 19590	WINDOW - rear, plastic	1
4	C 19598	MOLDING - channel, vinyl (16 ft. roll)	1
5	C 25527	BRACKET - mounting, door	2
6	C 25523	HANDLE - inside	2
7	C 25524	HANDLE - outside	2
8	C 25525	SPACER - handle	4
9	C 25526	SPRING - handle	2
10	131- 1180	NUT - lock 1/4" - 20	2
11	129- 101	NUT - 1/4" - 20	2
12	192- 19	LOCK WASHER - 1/4"	2
13	195- 102	WASHER - 1/4"	2
14	113- 4	BOLT - 1/4" - 20 x 1"	2
15	113- 3	BOLT - 1/4" - 20 x 3/4"	2
16	C 25462	HANDLE - chute control (K-1)	1
16	C 25463	HANDLE - chute control (K-2)	1
17	C 25461	ROD - chute control (use with L and M snow casters)	1
18	C 25698	ROD - chute control (use with J and K snow casters)	1
19	C 14583	BLOCK - joint	1
20	132- 320	PIN - cotter 3/32" x 3/4"	2
21	131- 525	WASHER - 3/8"	4
22	C 25464	BRACKET - handle mounting	1
23	113- 206	BOLT - 3/8" - 16 x 3/4" hex	2
24	131- 1181	NUT - 3/8" - 16 hex	2



MOTOR COVER AND FRONT WINDOW

REF.	PART NUMBER	DESCRIPTION	REQ'D
1	C 25264	COVER - motor (J-1), black	1
1	C 25521	COVER - motor (J-2, K-1, K-2), black	1
1	C 19605	COVER - motor (J-1) yellow	1
1	C 19584	COVER - motor (J-2) shown, yellow	1
2	C 19606	STRAP - mounting, motor cover (J-1, K-1) side	2
2	C 19585	STRAP - mounting, motor cover (J-2, K-2) side	2
3	182- 518	SCREW - #10 - 24 x 3/4"	6
4	129- 17	NUT - #10 - 24 hex	6
5	129- 402	WING NUT - #10 - 24	6
6	C 19583	STRAP - mounting, motor cover (top)	1
7	113- 4	BOLT - 1/4" - 20 x 1" hex head	2
8	192- 19	LOCKWASHER - 1/4"	2
9	129- 101	NUT - 1/4" - 20 hex	2
10	129- 409	WING NUT - 1/4" - 20	2
11	C 19604	SUPPORT - cover, motor (J-1)	2
12	C 19582	SUPPORT - cover, motor (J-2, K-1, K-2)	2
13	C 19566	MOLDING - rubber, glass seal	1
14	NSS	GLASS - windshield, tempered 19 - 3/4" x 27 - 3/8" x 7/32" (J-1, K-1) Order from local supplier	1
14	NSS	GLASS - windshield tempered, 22" x 27-3/8" x 7/32" (J-2, K-2) Order from local supplier	1
15	32230	SPRING - motor cover hold down	1
16	113- 103	BOLT - 5/16" - 18 x 1" (K-1, K-2)	2
17	129- 102	NUT - 5/16" - 18 (K-1, K-2)	2
18	192- 20	LOCK WASHER - 5/16" (K-1, K-2)	2



EXHAUST EXTENSION (J-2)  
(Used on Tractor Model 446 Only Prior to S/N 9728158)

REF.	PART NUMBER	DESCRIPTION	REQ'D
1	C 22722	PIPE - extension, exhaust	2
2	L 13452	CLAMP ASSEMBLY - pipe, exhaust	2

NUMERICAL INDEX

PART NO.	PAGE NO.	REF. NO.	PART NO.	PAGE NO.	REF. NO.	PART NO.	PAGE NO.	REF. NO.		
C	32230	13	15	C	25462	11	16	129- 101*	11	11
C	10792	9	19	C	25463	11	16	129- 101	13	9
C	14583	11	19	C	25464	11	22	129- 102	5	18
C	19566	13	13	C	25507	5	1	129- 102	13	17
C	19569	5	20	C	25507	7	1	129- 402	9	5
C	19569	7	17	C	25508	5	3	129- 402	13	5
C	19571	5	5	C	25508	7	3	129- 409	13	10
C	19572	5	8	C	25509	5	3	129- 642	9	13
C	19573	5	8	C	25509	7	3	131- 525	11	21
C	19574	5	9	C	25510	7	5	131- 1180	11	10
C	19575	5	9	C	25511	7	5	131- 1181	11	24
C	19576	5	7	C	25512	7	6	132- 320	11	20
C	19578	5	14	C	25513	7	6	132- 321	9	8
C	19579	5	15	C	25514	7	6	176- 425	5	
C	19580	5	15	C	25515	7	6	176- 425	7	
C	19581	5	16	C	25516	7	7	182- 516	9	10
C	19582	13	12	C	25517	5	2	182- 518	9	3
C	19583	13	6	C	25517	7	2	182- 518	13	3
C	19584	13	1	C	25518	5	2	192- 19	5	12
C	19585	13	2	C	25518	7	2	192- 19	7	12
C	19586	9	11	C	25519	7	15	192- 19	11	12
C	19587	9	11	C	25520	7	15	192- 19	13	8
C	19588	9	6	C	25521	13	1	192- 20	5	19
C	19589	9	9	C	25523	11	6	192- 20	13	18
C	19590	9	15	C	25524	11	7	195- 102	5	13
C	19590	11	3	C	25525	11	8	195- 102	7	13
C	19591	9	7	C	25526	11	9	195- 102	11	13
C	19592	9	2	C	25527	11	5	195- 104	5	21
C	19593	9	1	C	25528	11	1	195- 104	7	18
C	19594	9	1	C	25529	11	1	195- 516	9	14
C	19595	9	12	C	25530	11	1	195- 2014	5	22
C	19598	5	4	C	25531	11	1	195- 2014	7	9
C	19598	7	4	C	25696	9	23			
C	19598	9	16	C	25697	9	23			
C	19598	11	4	C	25698	11	18			
C	19600	5	8	L	13452	13	2			
C	19601	5	8							
C	19602	5	6							
C	19604	13	11							
C	19605	13	1							
C	19606	13	2							
C	19607	9	6							
C	19608	9	2							
C	19609	9	1							
C	19610	9	1							
C	22722	13	1							
C	23864	9	17							
C	23864	11	2							
C	24721	9	21							
C	24860	9	18							
C	25026	9	22							
C	25228	5	24							
C	25228	7	8							
C	25264	13	1							
C	25266	9	1							
C	25267	9	1							
C	25268	9	1							
C	25269	9	1							
C	25461	11	17							

HARDWARE CODE NUMBERS

113-	3	5	10
113-	3	7	10
113-	3	11	15
113-	4	5	23
113-	4	5	23
113-	4	7	16
113-	4	11	14
113-	4	13	7
113-	12	7	14
113-	14	7	14
113-	103	13	16
113-	122	5	17
113-	206	11	23
129-	17	9	4
129-	17	13	4
129-	101	5	11
129-	101	7	11
129-	101	9	20

**INGERSOLL**  
Ingersoll Equipment Co., Inc.