

1  
PARTS CATALOG 988

36" AND 48" SINGLE-STAGE SNOW THROWERS

Manufactured by:

Haban Manufacturing Company  
Racine, Wisconsin

DESIGNATION	CASE TRACTOR APPLICATION				
	130	180	120	150	190
C36S	X				
C48S		X			
D36S			X	X	
D48S					X

DESIGNATION	COLT TRACTOR APPLICATION							
	DELUXE	SUPER	SUPER H	RANCHER	2110	2310	2510	2712
CT36S	X	X						
CT48S			X	X				
SB36					X	X		
SB48							X	X

See illustrations on preceding page. The Haban single-stage snow throwers for Case 130 and 180 tractors and Colt Deluxe, Super, Super H and Rancher tractors include a separate lever and linkage for clutching. By comparison, this lever is omitted on the units for Case 120, 150 and 190 tractors and Colt 2110, 2310, 2510 and 2712 tractors as the PTO lever and clutch on the tractor are used.

ALPHABETICAL INDEX

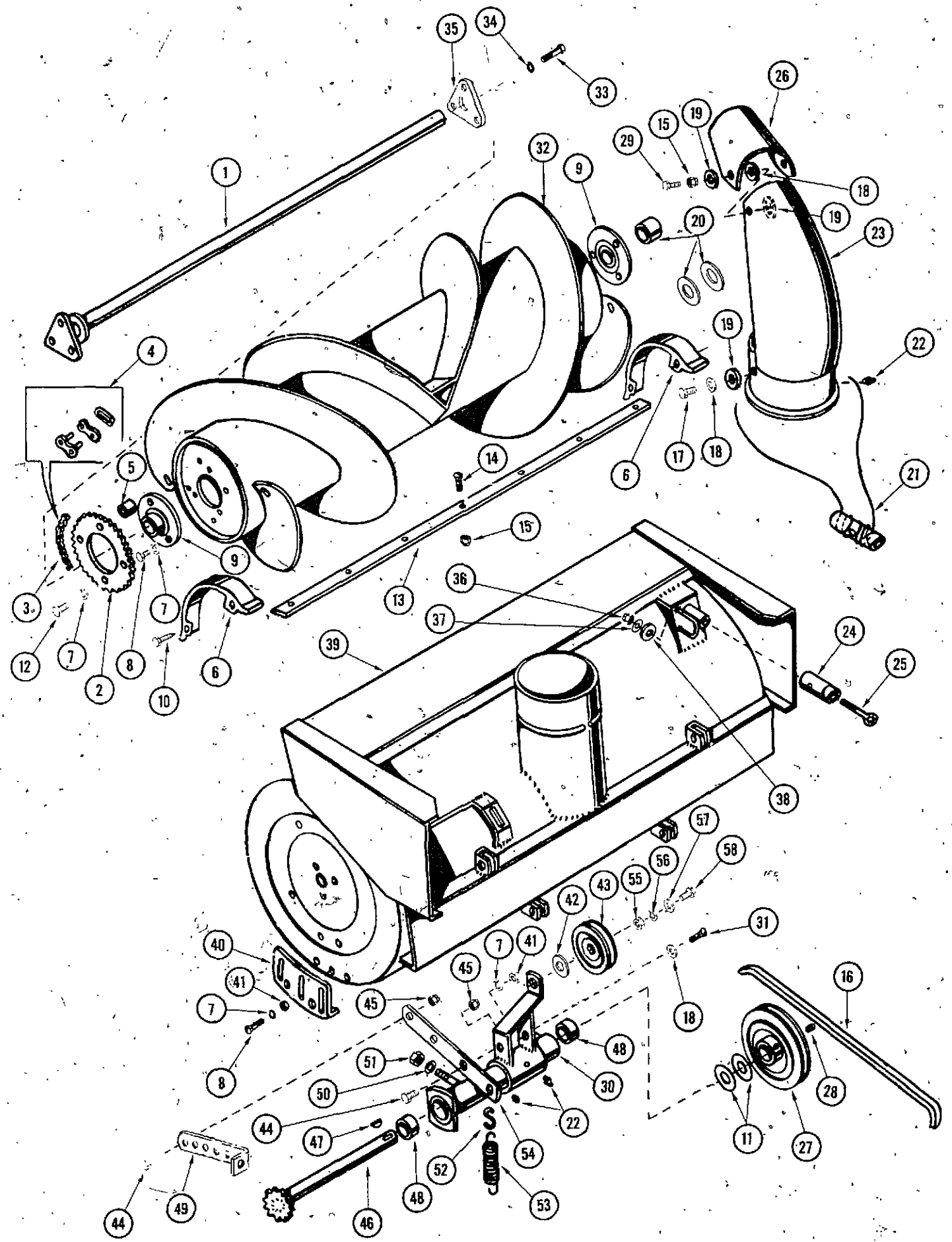
	PAGE	GRID
Auger Assembly .....	3-9	A4-A10
Chute .....	3-9	A4-A10
Deflector .....	3-9	A4-A10
Drive Assembly .....	3-9	A4-A10
Drive Shaft .....	3-9	A4-A10
Gear Box .....	15-17	B2-B4
Housing .....	15-17	B2-B4
Lift Assembly .....	11-13	A12-A14

NOTE: See grid C2 for -  
E36S Snowthrower

NOTE: See grid D2 for -  
C36 and C36R Lambert Snowthrower

**MODEL C36S, CT36S, C48S, AND CT48S SNOW THROWER  
CASE MODEL 130, 180 AND COLT MODEL DELUXE, SUPER, SUPER H  
AND RANCHER COMPACT TRACTORS**

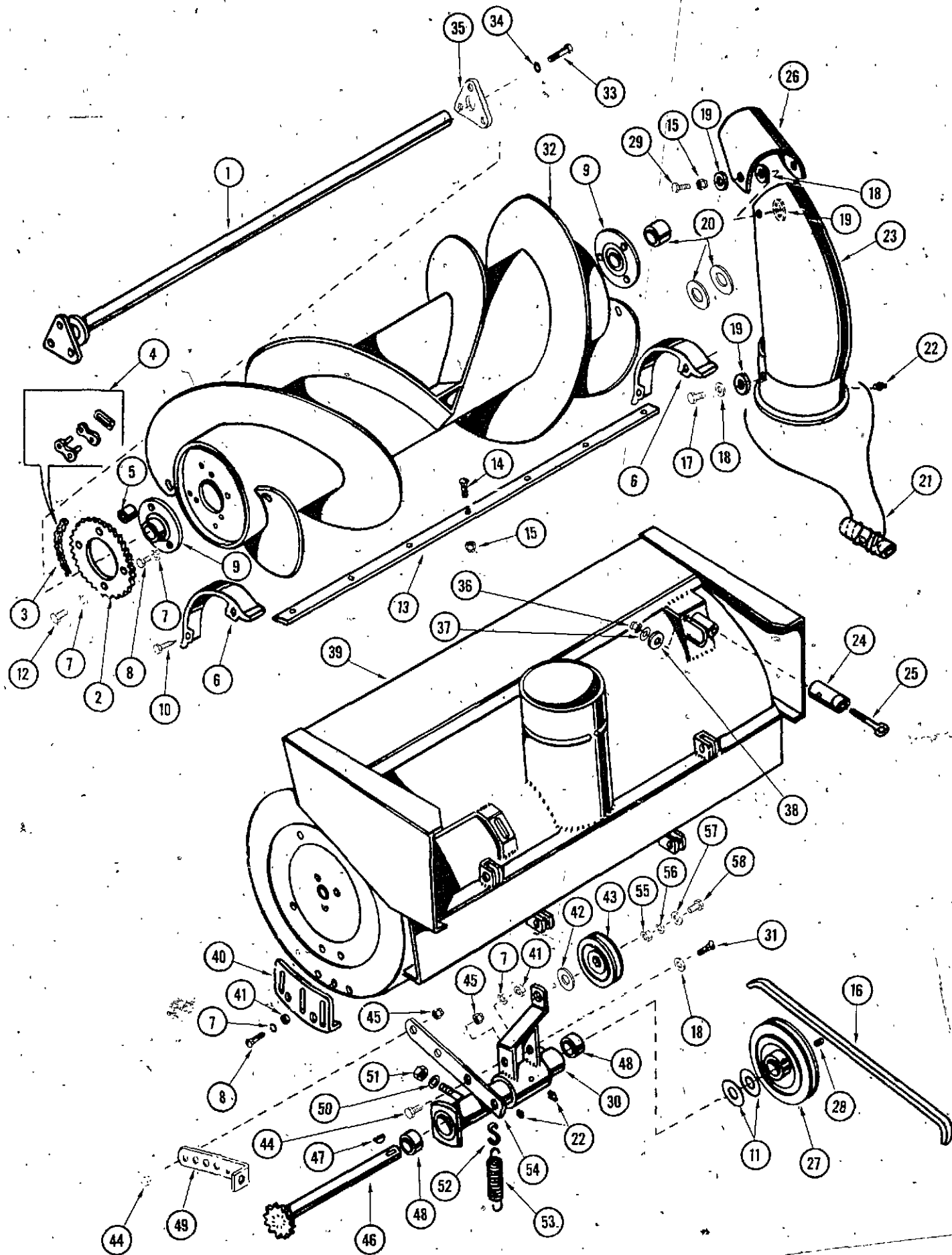
**AUGER ASSEMBLY**



REF. PART NO.	HABAN NO.	DESCRIPTION	REQ'D
1 C 11060	3022	SHAFT - auger (36" Units)	1
1 C 11438	3022-A	SHAFT - auger (48" Units)	1
2 C 11061	3026	SPROCKET - drive	1
3		CHAIN - drive, 76 links of #40 roller chain, use:	
B 12470		CHAIN - roller, 50 links #40	1
B 12471		CHAIN - roller, 20 links #40	1
B 12473		CHAIN - roller, 6 links #40	1
4 B 12501		LINK - connecting	UAR
B 12503		LINK - roller	UAR
B 12502		LINK - offset	UAR
5 C 11065	3027	SPACER - sprocket to auger	4
6 C 11066	3036	GUARD - chain	2
7 92- 5		LOCKWASHER - 5/16	19
8 13- 510		BOLT - 5/16 x 5/8 N.C. Hex	9
9 C 11067	3021	BEARING - auger	2
10 187- 992		SCREW - sheet metal, 1/4 x 1/2	4
11 95- 22		WASHER - plain	2
12 13- 532		BOLT - 5/16 x 2 N.C. Hex	4
13 C 11071	3013	BLADE - scraper (36" Units)	1
13 C 11440	3013-A	BLADE - scraper (48" Units)	1
14 11- 410		BOLT - 1/4 x 5/8 Rd. Hd. Sq. Neck	7
15 131- 350		NUT - lock, 1/4 N.C. Hex	9
16 C 11116		BELT - auger drive	1
17 13- 48		BOLT - 1/4 x 1/2 N.C. Hex	1
18 195- 521		WASHER - plain 1/4"	3
19 C 11083	3903	WASHER - concave tooth	5
20 C 11069	3915	SPACER - auger (36" Units)	1
20 95- 16		WASHER - plain (48" Units)	2
21 C 11442	5098	CABLE - 56"	1
22 219- 6		FITTING, lubrication	3
23 C 11075	4957	CHUTE	1
24 C 11073	4742	TUBE - cable	1
25 C 11074	3955	EYEBOLT	1
26 C 11076	3052	DEFLECTOR - chute	1
27 C 11085	3035	PULLEY - drive	1
28 85- 58		SCREW - set	2
29 13- 412		BOLT - 1/4 x 3/4 N.C. Hex	2
30 C 11079	4832	HOUSING - jackshaft (36" Units)	1
30 C 11444	5086	HOUSING - jackshaft (48" Units)	1
31 11- 512		BOLT - 5/16 x 3/8 Rd. Hd. Sq. Neck	6
32 C 11068	3014	AUGER - (36" Units)	1
32 C 11439	3014-A	AUGER - (48" Units)	1
33 13- 820		BOLT - 1/2 x 1-1/4 N.C. Hex	1
34 193- 32		WASHER - 1/2 Shakeproof	1
35 C 11446	3025	PLATE - auger shaft (48" Units)	1
36 131- 508		NUT - lock, 3/8 N.C. Hex	1
37 192- 22		WASHER - plain, 3/8	1
38 C 11062	4772	WASHER - spring	1
39 C 11072	4730	HOUSING - auger (36" Units)	1
39 C 11441	5076	HOUSING - auger (48" Units)	1

5

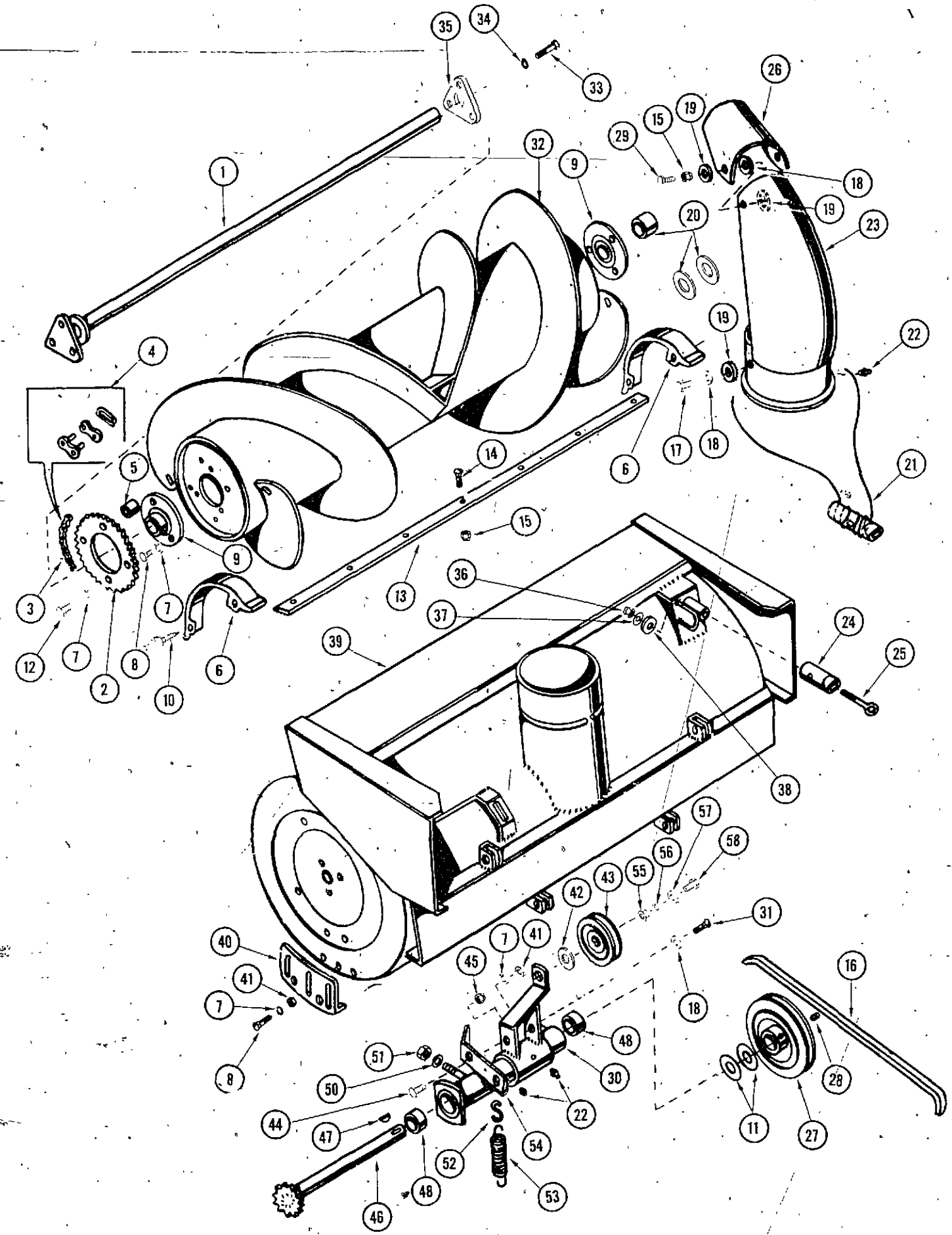
**MODEL C36S, CT36S, C48S, AND CT48S SNOW THROWER**  
**CASE MODEL 130, 180 AND COLT MODEL DELUXE, SUPER, SUPER H**  
**AND RANCHER COMPACT TRACTORS**  
**AUGER ASSEMBLY (CONTD.)**



REF. PART NO.	HABAN NO.	DESCRIPTION	REQ'D
40 C 11070	3045	SHOE - skid	2
41 25- 105		NUT - 5/16 N.C. Hex	6
42 C 11518	GM9417098	WASHER - spécial	UAR
43 C 11084	3042	PULLEY - idler	1
44 13- 512		BOLT - 5/16 x 3/4 N.C. Hex	UAR
45 131- 307		NUT - lock, 5/16 N.C. Hex	UAR
46 C 11078	4801	SPROCKET AND JACKSHAFT (36" Units)	1
46 C 11443	5088	SPROCKET AND JACKSHAFT (48" Units)	1
47 126- 16	Key	KEY - Woodruff #9	1
48 C 11080	3034	BUSHING	2
49 C 11082	4743	BRACKET - clutch	1
50 195- 26		WASHER - plain, 7/16	4
51 25- 148		NUT - jam, 1/2 N.C. Hex	5
52 C 11087	3247	HOOK - spring	1
53 C 11088	4798	SPRING - idler	1
54 C 11081	4785	BRACKET - idler	1
55 25- 148		NUT - 1/2 N.C. Hex	5
56 92- 8		LOCKWASHER - 1/2	1
57 95- 8		WASHER - plain, 1/2	1
58 13- 824		BOLT - 1/2 x 1-1/2 N.C. Hex	1

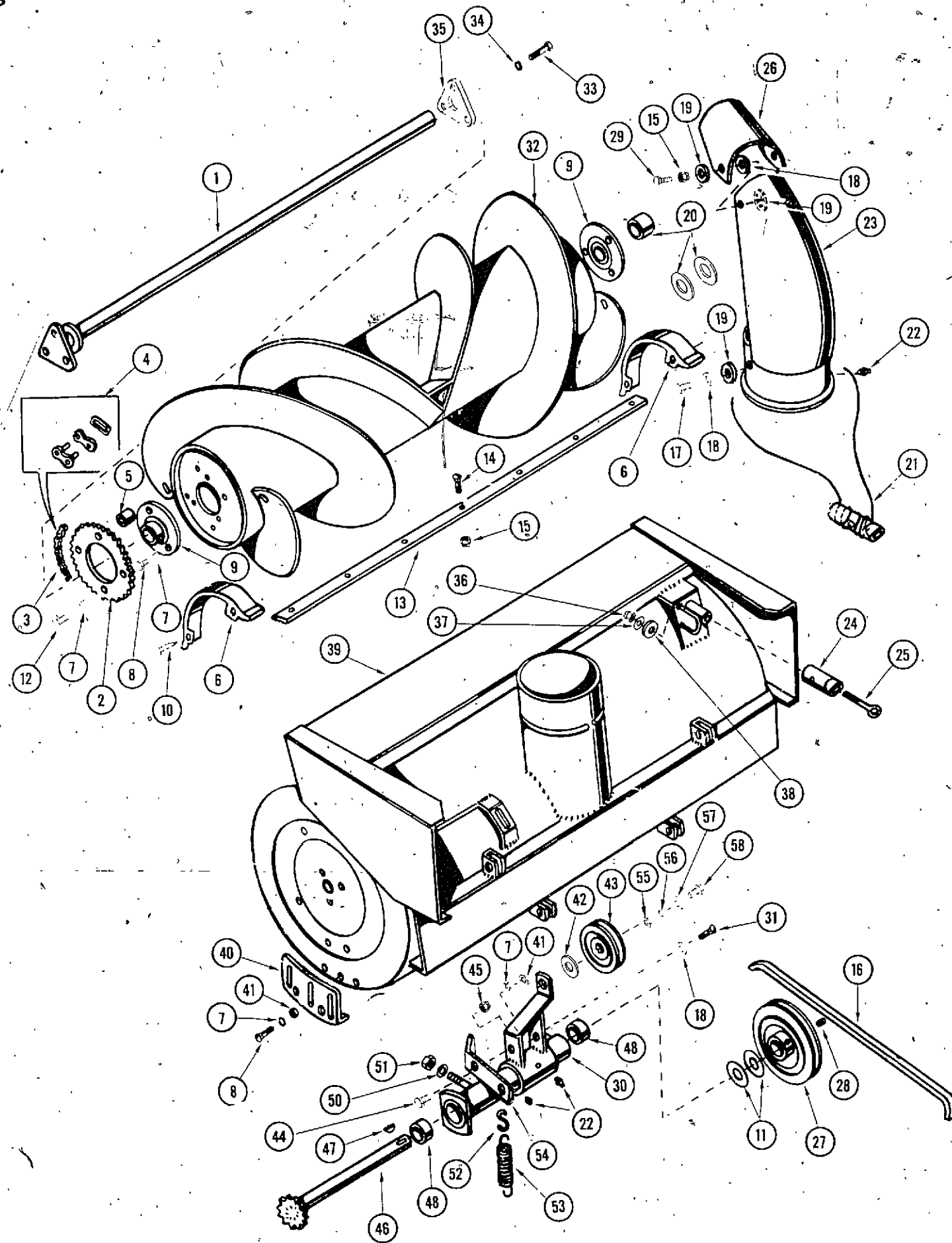
**MODEL D36S, SB36, D48S, AND SB48 SNOW THROWER  
CASE MODEL 120, 150, 190 AND COLT MODEL 2110, 2310, 2510, AND  
2712 COMPACT TRACTORS**

**AUGER ASSEMBLY**



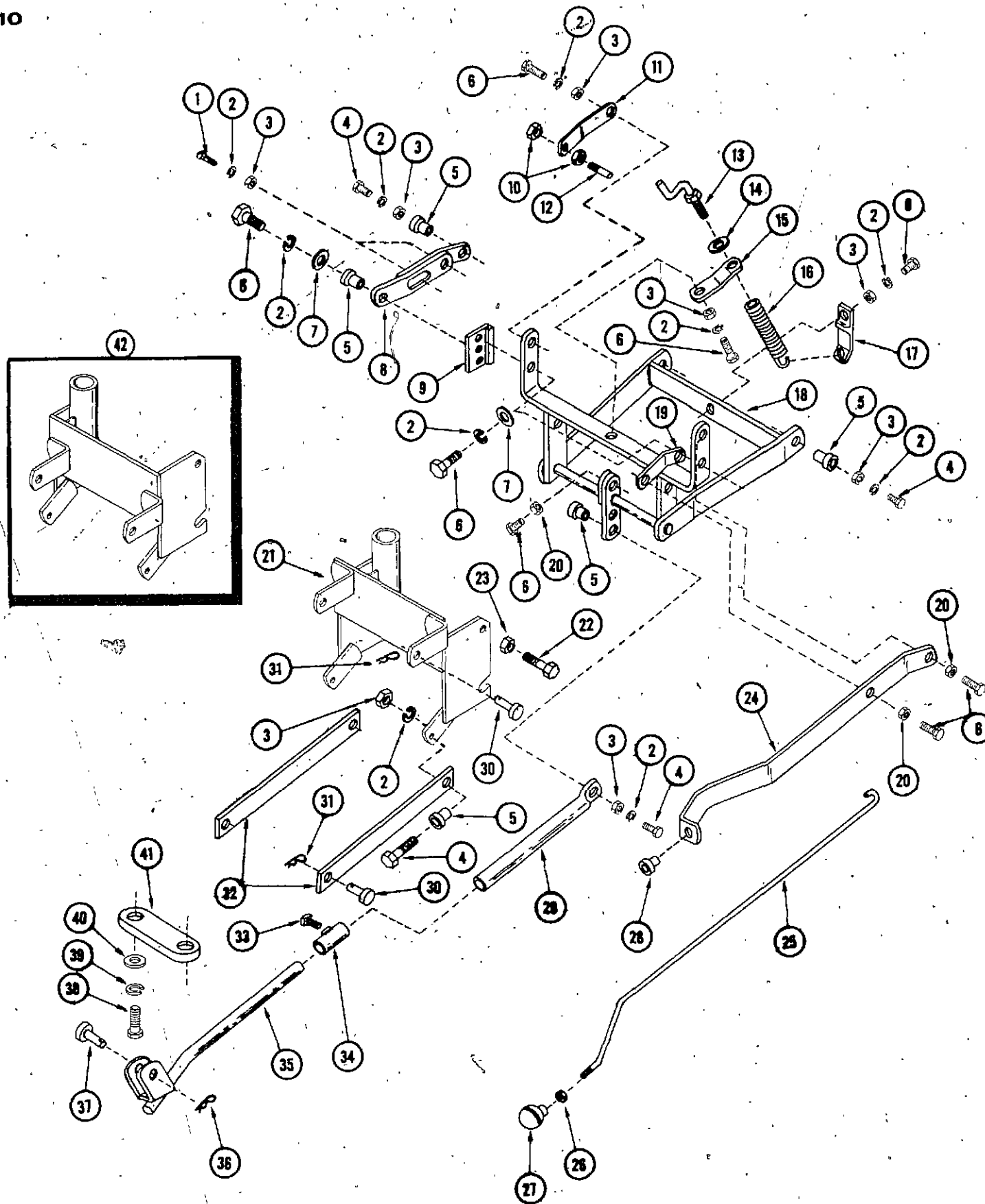
REF. PART NO.	HABAN NO.	DESCRIPTION	REQ'D
1 C 11060	3022	SHAFT - auger (36" Units)	1
1 C 11438	3022-A	SHAFT - auger (48" Units)	1
2 C 11061	3026	SPROCKET - drive	1
3		CHAIN - drive, 76 links of #40 roller chain, use:	
	B 12470	CHAIN - roller, 50 links #40	1
	B 12471	CHAIN - roller, 20 links #40	1
	B 12473	CHAIN - roller, 6 links #40	1
4 B 12501		LINK - connecting	UAR
B 12503		LINK - roller	UAR
B 12502		LINK - offset	UAR
5 C 11065	3027	SPACER - sprocket to auger	4
6 C 11066	3036	GUARD - chain	2
7 92- 5		LOCKWASHER - 5/16	19
8 13- 510		BOLT - 5/16 x 5/8 N.C. Hex	9
9 C 11067	3021	BEARING - auger	2
10 187- 992		SCREW - sheet metal, 1/4 x 1/2	4
11 95- 22		WASHER - plain	2
12 13- 532		BOLT - 5/16 x 2 N.C. Hex	4
13 C 11071	3013	BLADE - scraper (36" Units)	1
13 C 11440	3013-A	BLADE - scraper (48" Units)	1
14 11- 410		BOLT - 1/4 x 5/8 Rd. Hd. Sq. Neck	7
15 131- 350		NUT - lock, 1/4 N.C. Hex	9
16 C 11116		BELT - auger drive	1
17 13- 48		BOLT - 1/4 x 1/2 N.C. Hex	1
18 195- 521		WASHER - plain 1/4	3
19 C 11083	3903	WASHER - concave tooth	5
20 C 11069	3916	SPACER - auger (36" Units)	1
20 96- 16		WASHER - plain, 1" (48" Units)	2
21 C 11442	5098	CABLE - 56"	1
22 219- 6		FITTING - lubrication	3
23 C 11075	4957	CHUTE	1
24 C 11073	4742	TUBE - cable	1
25 C 11074	3955	EYEBOLT	1
26 C 11076	3052	DEFLECTOR - chute	1
27 C 11085	3035	PULLEY - drive	1
28 85- 58		SCREW - set	2
29 13- 412		BOLT - 1/4 x 3/4 N.C. Hex	2
30 C 11079	4832	HOUSING - jackshaft (36" Units)	1
30 C 11444	5086	HOUSING - jackshaft (48" Units)	1
31 11- 512		BOLT - 5/16 x 3/8 Rd. Hd. Sq. Neck	6
32 C 11068	3014	AUGER - (36" Units)	1
32 C 11439	3014-A	AUGER - 48" Units	1
33 13- 820		BOLT - 1/2 x 1-1/4, N.C. Hex	1
34 193- 32		WASHER - shakeproof, 1/2	1
35 C 11446	3025	PLATE - auger shaft (48" Units)	1
36 131- 508		NUT - lock, 3/8 N.C. Hex	1
37 192- 22		WASHER - plain, 3/8	1
38 C 11062	4772	WASHER - spring	1
39 C 11072	4730	HOUSING - auger (36" Units)	1
39 C 11441	5076	HOUSING - auger (48" Units)	1
40 C 11070	3045	SHOE - skid	2

MODEL D36S, SB36, D48S, AND SB48 SNOW THROWER  
CASE MODEL 120, 150, 190 AND COLT MODEL 2110, 2310, 2510, AND  
2712 COMPACT TRACTORS  
**AUGER ASSEMBLY (CONTD.)**



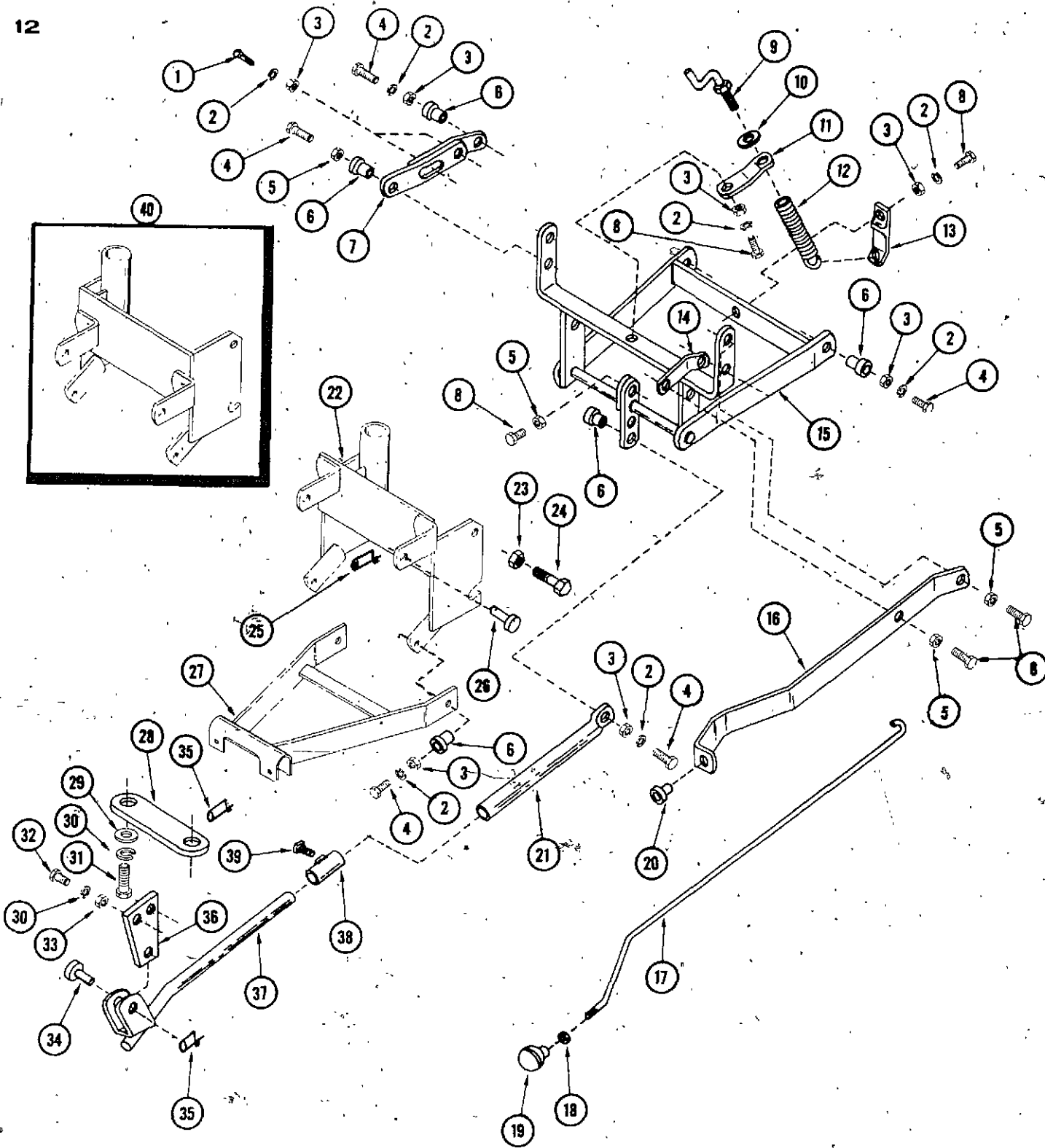
REF. PART NO.	HABAN NO.	DESCRIPTION	REQ'D
41	25- 105	NUT - 5/16 N.C. Hex	6
42	C 11518	WASHER - special	UAR
43	C 11084	3042 PULLEY - idler	1
44	13- 512	BOLT - 5/16 x 3/4 Hex	UAR
45	131- 307	NUT - lock, 5/16 N.C. Hex	UAR
46	C 11078	4801 SPROCKET AND JACKSHAFT - (36" Units)	1
46	C 11443	5088 SPROCKET AND JACKSHAFT - (48" Units)	1
47	126- 16	KEY - Woodruff, #9	1
48	C 11080	3034 BUSHING	2
50	195- 26	WASHER - plain 7/16	4
51	25- 148	NUT - jam, 1/2 N.C. Hex	5
52	C 11087	3247 HOOK - spring	1
53	C 11088	4798 SPRING - idler	1
54	C 11517	5131 ANCHOR - idler spring	1
55	25- 148	NUT - 1/2" N.C. Hex	5
56	92- 8	LOCKWASHER - 1/2	1
57	95- 8	WASHER - plain 1/2	1
58	13- 824	BOLT - 1/2 x 1-1/2 N.C. Hex	1

**MODEL C36S, CT36S, C48S, AND CT48S SNOW THROWER  
CASE MODEL 130, 180 AND COLT MODEL DELUXE, SUPER, SUPER H  
AND RANCHER COMPACT TRACTORS  
MOUNTING ASSEMBLY**

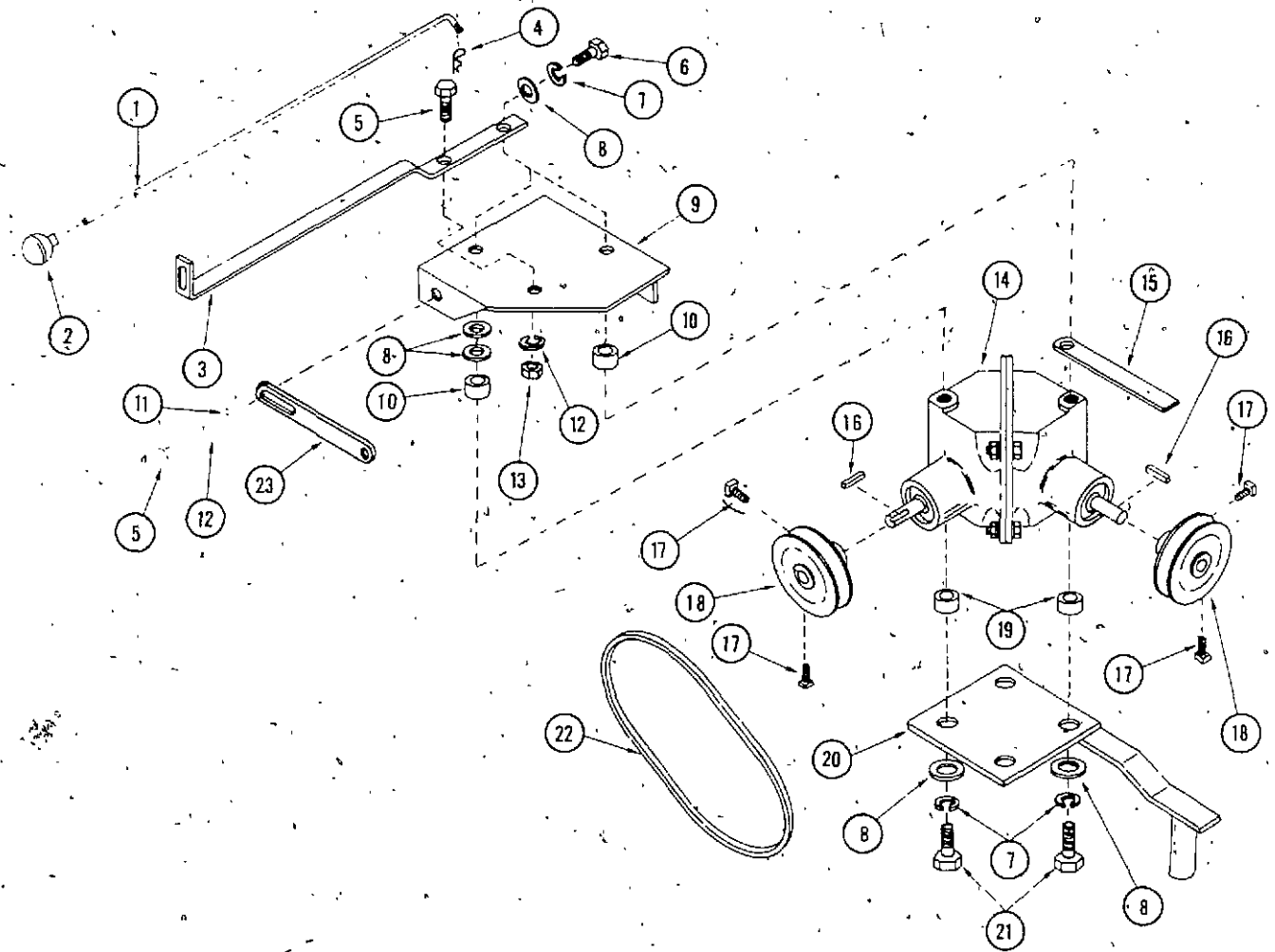


REF. PART NO.	HABAN NO.	DESCRIPTION	REQ'D
1	11- 616	BOLT - 3/8 x 1 Rd. Hd. Sq. Neck	4
2	92- 6	LOCKWASHER - 3/8	18
3	25- 106	NUT - 3/8 N.C. Hex	14
4	13- 620	BOLT - 3/8 x 1-1/4 N.C. Hex	7
5	C 11099	TRUNNION	9
6	13- 515	BOLT - 3/8 x 1 N.C. Hex	10
7	195- 24	WASHER - plain 3/8	4
8	C 11098	ARM - guide	4
9	C 11355	BRACKET - lift pivot	2
10	25- 105	NUT - 5/16 N.C. Hex	2
11	C 11063	RETAINER - belt	1
12	C 11091	STUD - belt retainer	1
13	C 11094	CRANK - lift	1
14	195- 22	WASHER - plain 3/8	1
15	C 11095	GUIDE - crank	1
16	C 11096	SPRING - lift	1
17	C 11097	ANCHOR - spring	1
18	C 11093	LIFT ASSEMBLY	1
19	C 11516	BRACE- arm	1
20	131- 508	NUT - lock 3/8 N.C. Hex	3
21	C 14082	BRACKET - hanger mounting (180, Super "H" and Rancher 48" units)	1
22	13- 840	BOLT - 1/2 x 2-1/2 N.C. Hex	2
23	25- 148	NUT - jam 1/2 N.C.	2
24	C 11100	ARM - stack rod	1
25	C 11101	ROD - chute control	1
26	C 11445	NUT - 5/16 stamped	1
27	C 11090	KNOB - rod	1
28	C 11298	GROMMET - rod	1
29	C 11103	TUBE - lift	1
30	C 11299	PIN - clevis	4
31	C 10898	PIN - safety	4
32	C 11105	BAR - support	2
33	17- 612	BOLT - sq. hd. 3/8 x 3/4 N.C.	1
34	C 11110	COLLAR - lift rod	1
35	C 11104	ROD - lift	1
36	C 10883	PIN - safety	1
37	C 11111	PIN - clevis	1
38	13- 812	BOLT - 1/2 x 3/4 N.C. Hex (48" Units)	2
39	92- 8	LOCKWASHER - 1/2 (48" Units)	2
40	95- 8	WASHER - plain 1/2 (48" Units)	2
41	C 11447	BRACKET - stop (48" Units)	1
42	C 11102	BRACKET - hanger mtg. (130, deluxe & super 36" units)	1

**MODEL D36S, SB36, D48S, AND SB48 SNOW THROWER  
CASE MODEL 120, 150, 190 AND COLT MODEL 2110, 2310, 2510, AND  
2712 COMPACT TRACTORS  
MOUNTING ASSEMBLY**



REF. PART NO.	HABAN NO.	DESCRIPTION	REQ'D
1	11- 616	BOLT - 3/8 x 1 Rd. Hd. Sq. Neck	4
2	92- 6	LOCKWASHER - 3/8	13
3	25- 106	NUT - 3/8 N.C. Hex	13
4	13- 620	BOLT - 3/8 x 1-1/4 N.C. Hex	7
5	131- 508	NUT - Lock 3/8 N.C. Hex	5
6	C 11099	TRUNNION	9
7	C 11098	ARM - guide	4
8	13- 616	BOLT - 3/8 x 1 N.C. Hex	5
9	C 11094	CRANK - lift	1
10	195- 22	WASHER - plain 3/8	1
11	C 11095	GUIDE - crank	1
12	C 11096	SPRING - lift	1
13	C 11097	ANCHOR - spring	1
14	C 11516	BRACE - arm	1
15	C 11093	LIFT ASSEMBLY	1
16	C 11100	ARM - stack rod	1
17	C 11101	ROD - stack control	1
18	C 11445	NUT - stamped 5/16	1
19	C 11090	KNOB - rod	1
20	C 11298	GROMMET - rod	1
21	C 11103	TUBE - lift	1
22	C 14082	BRACKET - hanger mtg. (190, 2510 & 2712 - 48" units)	1
23	25- 148	NUT - jam	2
24	13- 840	BOLT - 1/2 x 2-1/2 N.C. Hex	2
25	C 10898	PIN - safety	4
26	C 11299	PIN - clevis	2
27	C 12814	SUPPORT - wishbone	1
28	C 11447	BRACKET - stop (48" Units)	1
29	95- 8	WASHER - plain 1/2 (48" Units)	2
30	92- 8	LOCKWASHER - 1/2	2
31	13- 812	BOLT - 1/2 x 3/4 (48" Units)	2
32	13- 820	BOLT - 1/2 x 1-1/4	2
33	25- 128	NUT - 1/2 N.C. Hex	2
34	C 11111	PIN - clevis	1
35	C 10883	PIN - safety	1
36	C 11059	EXTENSION - lift lever	1
37	C 11104	ASSEMBLY - lift rod	1
38	C 11110	COLLAR - lift rod	1
39	17- 612	BOLT - 3/8 x 3/4 Sq. Hd.	1
40	C 11102	BRACKET - hanger mtg. (130, 150, 2110 & 2310 - 36" units)	1

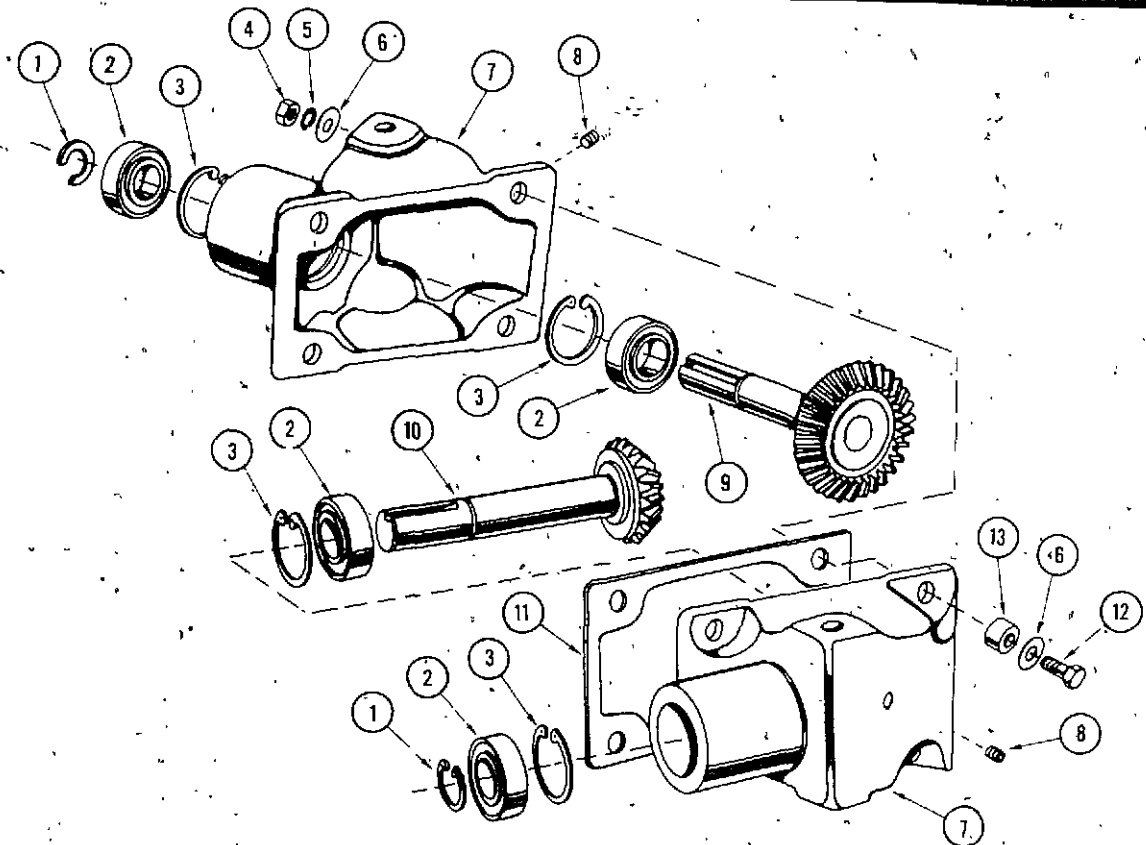


**MODEL C36S, CT36S, C48S, AND CT48S SNOW THROWER  
CASE MODEL 130, 180 AND COLT MODEL DELUXE, SUPER, SUPER H  
AND RANCHER COMPACT TRACTORS  
GEAR BOX MOUNTING**

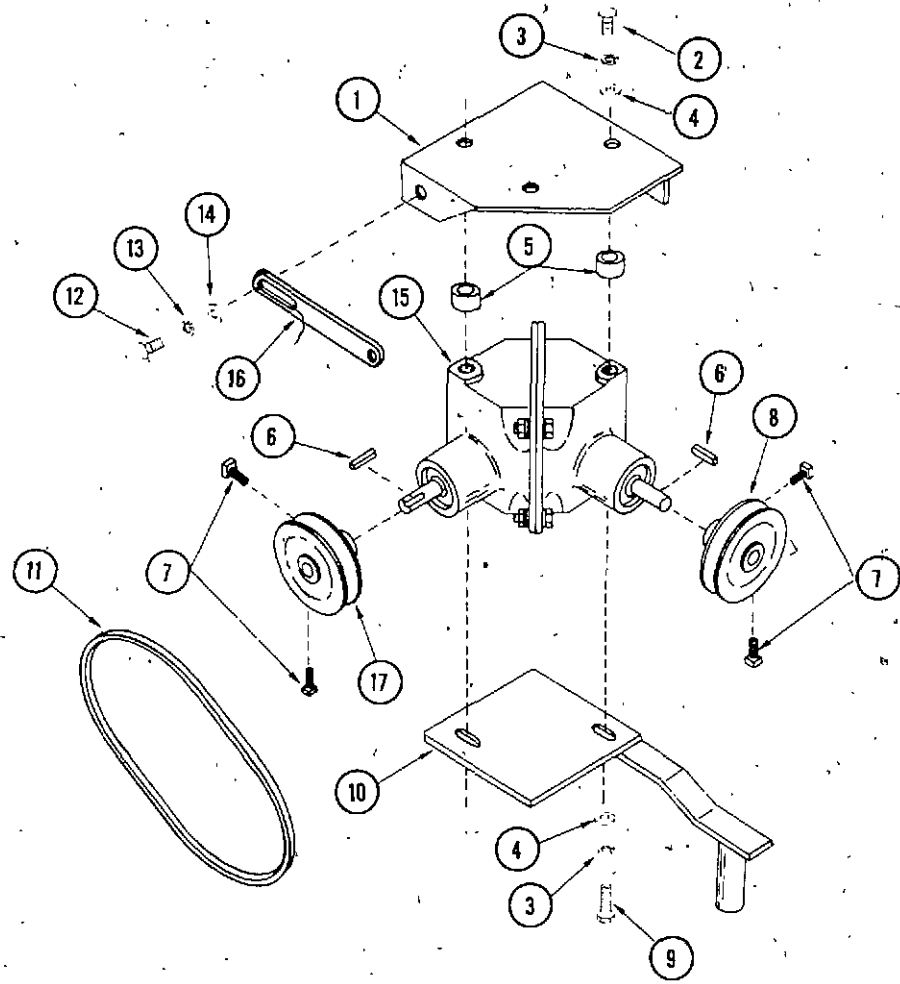
REF. PART NO.	HABAN NO.	DESCRIPTION	REQ'D
1 C 11089	3065	ROD - clutch	1
2 C 11090	3068	KNOB - rod	1
3 C 11108	5069	SUPPORT - clutch rod	1
4 C 10883		PIN - safety	1
5 13- 512		BOLT - 5/16 x 3/4 N.C. Hex	2
6 14- 620		BOLT - 3/8 x 1-1/4 N.F. Hex	2
7 92- 6		LOCKWASHER - 3/8	4
8 195- 24		WASHER - plain 3/8	6
9 C 11107	5067	COVER - gearbox	1
10 C 11114	3346	SPACER - gearbox	2
11 95- 5		WASHER - plain 5/16	1
12 92- 5		LOCKWASHER - 5/16	1
13 15- 105		NUT - 5/16 N.C. Hex	1
14 C 11117	4612	GEAR BOX - (Repairs see below)	1
15 C 11356	5176	RETAINER - belt	1
16 O 4284-CS		KEY - square 3/16 x 1	2
17 85- 58		SCREW - set 5/16-18 x 1/4 Sq. Hd. Cup Point	4
18 C 11092	3252	PULLEY - 4" OD	2
19 C 11357		SPACER - (48" Units)	2
20 C 11106	5063	BRACKET - gearbox mounting	1
21 14- 614		BOLT - 3/8 x 7/8 N.F. Hex	2
22 C 11124	3742	BELT - 5L390	1
23 C 11109	5071	STRAP - gearbox tie	1

**GEAR BOX COMPONENTS (FOR ALL MODELS)**

C 11117	4612	GEARBOX	1
1 T 25683		SNAP RING - shaft	2
2 C 11119	4611	BEARING - shaft	4
3 C 11225	4610	SNAP RING - bearing	4
4 25- 205		NUT - 5/16 N.C. Hex	4
5 192- 19		LOCKWASHER - 5/16	4
6 195- 20		WASHER - plain 5/16	8
7 NSS		HOUSING - (Order C 11117 assembly)	
8 C 11118	3847	PLUG - oil	2
9 C 11120	4586	SHAFT AND GEAR - output 32T (Replace as a pair with C 11121)	1
10 C 11121	4587	SHAFT AND GEAR - input 22T (Replace as a pair with C 11120)	1
11 C 11122	4608	GASKET - housing	1
12 13- 528		BOLT - 5/16 x 1-1/4 N.C. Hex	4
13 C 11123	4606	SPACER	4







17

**MODEL D36S, SB36, D48S, AND SB48 SNOW THROWER**  
**CASE MODEL 120, 150, 190 AND COLT MODEL 2110, 2310, 2510, AND**  
**2712 COMPACT TRACTORS**  
**GEAR BOX MOUNTING**

REF. PART NO.	HABAN NO.	DESCRIPTION	REQ'D
1	C 11107 5067	COVER - gearbox	1
2	14- 620	BOLT - 3/8 x 1-1/4 N.F. Hex	2
3	92- 6	LOCKWASHER - 3/8	4
4	95- 6	WASHER - plain 3/8	4
5	C 11114 3346	SPACER - gearbox	2
6	O 4284-CS	KEY - Square 3/16 x 1	2
7	85- 58	SCREW - set 5/16 x 1/2 N.C. Sq. Hd. Cup Point	4
8	C 11092 3252	PULLEY - 4" OD	1
9	14- 614	BOLT - 3/8 x 7/8 N.F. Hex	2
10	C 11106 5063	BRACKET - gearbox	1
11	C 11514 5137	BELT - 3V40	1
12	13- 512	BOLT - 5/16 x 3/4 N.C. Hex	1
13	92- 5	LOCKWASHER - 5/16	1
14	95- 5	WASHER - plain 5/16	1
15	C 11117 4612	GEARBOX (Repairs see page 15)	1
16	C 11109 5071	STRAP - gearbox tie	1
17	C 11515 5138	PULLEY - 4" OD 3V	1

NUMERICAL INDEX

PART NO.	PAGE NO.	REF. NO.	PART NO.	PAGE NO.	REF. NO.	PART NO.	PAGE NO.	REF. NO.
B 12470	3	3	C 11083	3	19	C 11117	15	14
B 12470	7	3	C 11083	7	19	C 11117	17	15
B 12471	3	3	C 11084	5	43	C 11118	15	8
B 12471	7	3	C 11084	9	43	C 11119	15	2
B 12473	3	3	C 11085	3	27	C 11120	15	9
B 12473	7	3	C 11085	7	27	C 11121	15	10
B 12501	3	4	C 11087	5	52	C 11122	15	11
B 12501	7	4	C 11087	9	52	C 11123	15	13
B 12502	3	4	C 11088	5	53	C 11124	15	22
B 12502	7	4	C 11088	9	53	C 11225	15	3
B 12503	3	4	C 11089	15	1	C 11298	11	28
B 12503	7	4	C 11090	11	27	C 11298	13	20
C 10883	11	36	C 11090	13	19	C 11299	11	30
C 10883	13	35	C 11090	15	2	C 11299	13	26
C 10883	15	4	C 11091	11	12	C 11355	11	9
C 10898	11	31	C 11092	15	18	C 11356	15	15
C 10898	13	25	C 11092	17	8	C 11357	15	19
C 11059	13	36	C 11093	11	18	C 11438	3	1
C 11060	3	1	C 11093	13	15	C 11438	7	1
C 11060	7	1	C 11094	11	13	C 11439	3	32
C 11061	3	2	C 11094	13	9	C 11439	7	32
C 11061	7	2	C 11095	11	15	C 11440	3	13
C 11062	3	38	C 11095	13	11	C 11440	7	13
C 11062	7	38	C 11096	11	16	C 11441	3	39
C 11063	11	11	C 11096	13	12	C 11441	7	39
C 11065	3	5	C 11097	11	17	C 11442	3	21
C 11065	7	5	C 11097	13	13	C 11442	7	21
C 11066	3	6	C 11098	11	8	C 11443	5	46
C 11066	7	6	C 11098	13	7	C 11443	9	46
C 11067	3	9	C 11099	11	5	C 11444	3	30
C 11067	7	9	C 11099	13	6	C 11444	7	30
C 11068	3	32	C 11100	11	24	C 11446	3	35
C 11068	7	32	C 11100	13	16	C 11445	11	26
C 11069	3	20	C 11101	11	25	C 11445	13	18
C 11069	7	20	C 11101	13	17	C 11446	7	35
C 11070	5	40	C 11102	11	21	C 11447	11	41
C 11070	7	40	C 11102	13	22	C 11447	13	28
C 11071	3	13	C 11103	11	29	C 11513	13	27
C 11071	7	13	C 11103	13	21	C 11514	17	11
C 11072	3	39	C 11104	11	35	C 11515	17	17
C 11072	7	39	C 11104	13	37	C 11516	11	19
C 11073	3	24	C 11105	11	32	C 11516	13	14
C 11073	7	24	C 11106	15	20	C 11517	9	54
C 11074	3	25	C 11106	17	10	C 11518	5	42
C 11074	7	25	C 11107	15	9	C 11518	9	42
C 11075	3	23	C 11107	17	1	O 4284-CS	15	16
C 11075	7	23	C 11108	15	3	O 4284-CS	17	6
C 11076	3	26	C 11109	15	23	T 25683	15	1
C 11076	7	26	C 11109	17	16	NSS	15	7
C 11078	5	46	C 11110	11	34	HARDWARE CODE NUMBERS		
C 11078	9	46	C 11110	13	38	11- 410	3	14
C 11079	3	30	C 11111	11	37	11- 410	7	14
C 11079	7	30	C 11111	13	34	11- 512	3	31
C 11080	5	48	C 11114	15	10	11- 512	7	31
C 11080	9	48	C 11114	17	5	11- 616	11	1
C 11081	5	54	C 11116	3	16	11- 616	13	1
C 11082	5	49	C 11116	7	16			
			C 11117	15				

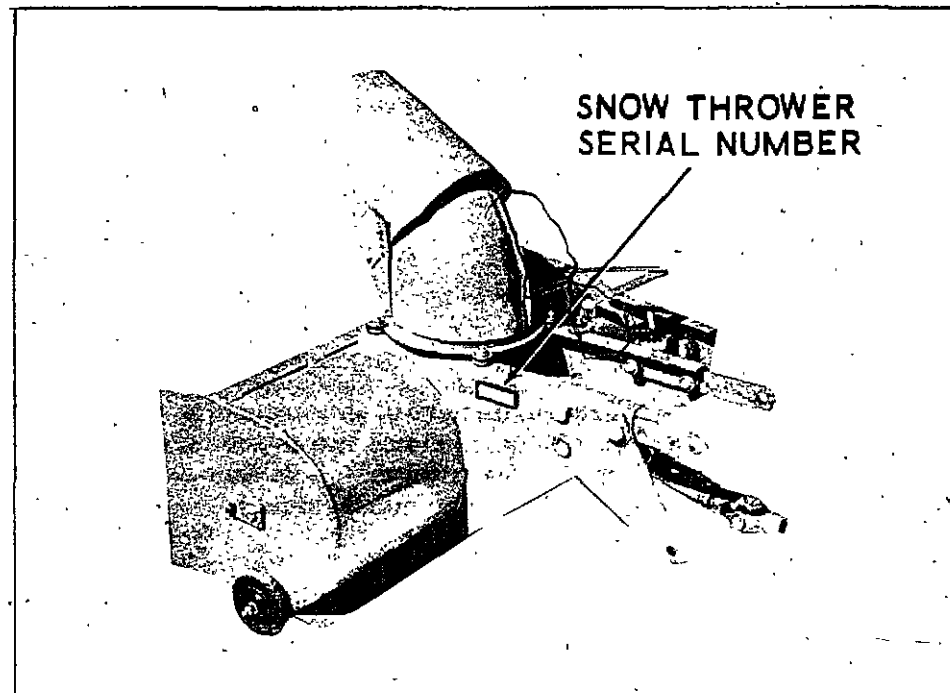
NUMERICAL INDEX

PART NO.	PAGE NO.	REF. NO.	PART NO.	PAGE NO.	REF. NO.	PART NO.	PAGE NO.	REF. NO.
13- 48	3	17	92- 6	17	3			
13- 48	7	17	92- 8	5	56			
13- 412	3	29	92- 8	9	56			
13- 412	7	29	92- 8	11	39			
13- 510	3	8	92- 8	13	30			
13- 510	7	8	95- 5	15	11			
13- 512	5	44	95- 5	17	14			
13- 512	9	44	95- 6	17	4			
13- 512	15	5	95- 8	5	57			
13- 512	17	12	95- 8	9	57			
13- 515	11	6	95- 8	11	40			
13- 528	15	12	95- 8	13	29			
13- 532	3	12	95- 16	3	20			
13- 532	7	12	95- 22	3	11			
13- 616	13	8	95- 22	7	11			
13- 620	11	4	96- 16	7	20			
13- 620	13	4	126- 16	5	47			
13- 812	11	38	126- 16	9	47			
13- 812	11	38	131- 307	5	45			
13- 812	13	31	131- 307	9	45			
13- 820	3	33	131- 350	3	15			
13- 820	7	33	131- 350	7	15			
13- 820	13	32	131- 508	3	36			
13- 824	5	58	131- 508	7	36			
13- 824	9	58	131- 508	11	20			
13- 840	11	22	131- 508	13	5			
13- 840	13	24	187- 992	3	10			
14- 614	15	21	187- 992	7	10			
14- 614	17	9	192- 19	15	5			
14- 620	15	6	192- 22	3	37			
14- 620	17	2	192- 22	7	37			
15- 105	15	13	193- 32	3	34			
17- 612	11	33	193- 32	7	34			
17- 612	13	39	195- 20	15	6			
25- 105	5	41	195- 22	11	14			
25- 105	9	41	195- 22	13	10			
25- 105	11	10	195- 24	11	7			
25- 106	11	3	195- 24	15	8			
25- 106	13	3	195- 26	5	50			
25- 128	13	33	195- 26	9	50			
25- 148	5	51	195- 521	3	18			
25- 148	5	55	195- 521	7	18			
25- 148	9	51	219- 6	3	22			
25- 148	9	55	219- 6	7	22			
25- 148	11	23						
25- 148	13	23						
25- 205	15	4						
85- 58	3	28						
85- 58	7	28						
85- 58	15	17						
85- 58	17	7						
92- 5	3	7						
92- 5	7	7						
92- 5	15	12						
92- 5	17	13						
92- 6	11	2						
92- 6	13	2						
92- 6	15	7						

# E36 SNOW THROWER FOR MODEL 155 AND 195 GARDEN TRACTORS

Parts Catalog No. 991

Print Shop 1000 10-71 PRINTED IN U.S.A.



DESIGNATION	TRACTOR APPLICATION	
	155	195
MODEL E 36S	<b>X</b>	<b>X</b>

## ALPHABETICAL INDEX

	PAGE	GRID
Auger Assembly .....	5	C4
Chute .....	5	C4
Deflector .....	5	C4
Drive Assembly .....	7	C6
Drive Shaft .....	9	C8
Gear Box .....	9	C8
Housing .....	5	C4
Lift Assembly .....	7	C6

NOTE: See grid A2 for -  
C36S, C48S, D36S, D48S,  
CT36S, CT48S, SB36 and SB48  
Haban Snowthrowers

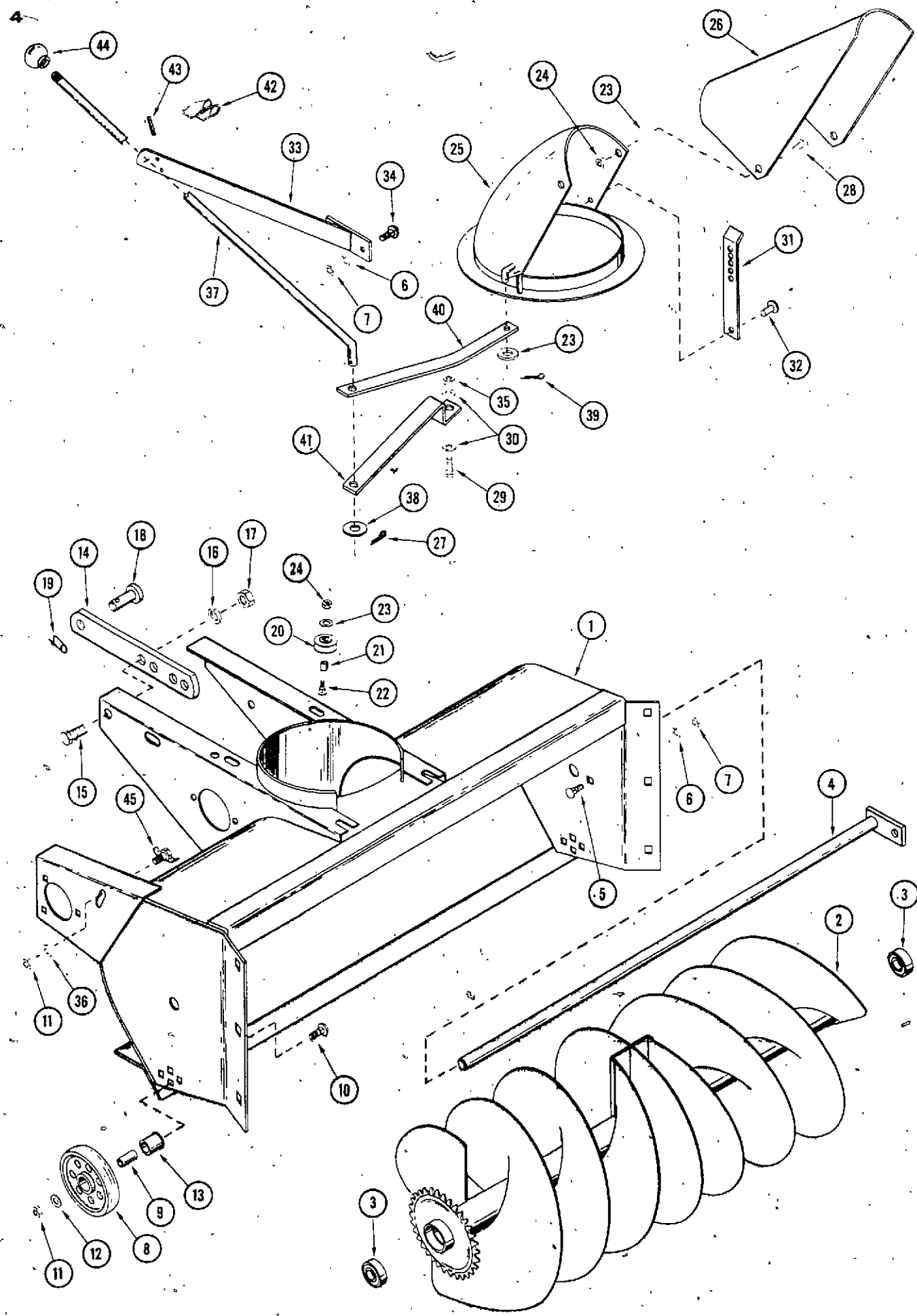
NOTE: See grid D2 for -  
C36, C36R Lambert Snowthrowers

### Serial Numbers

When using this catalog, notice the reference to serial numbers of various components noted here and listed in the "description" copy. By referring to correct serial numbers, proper parts identification will be assured.

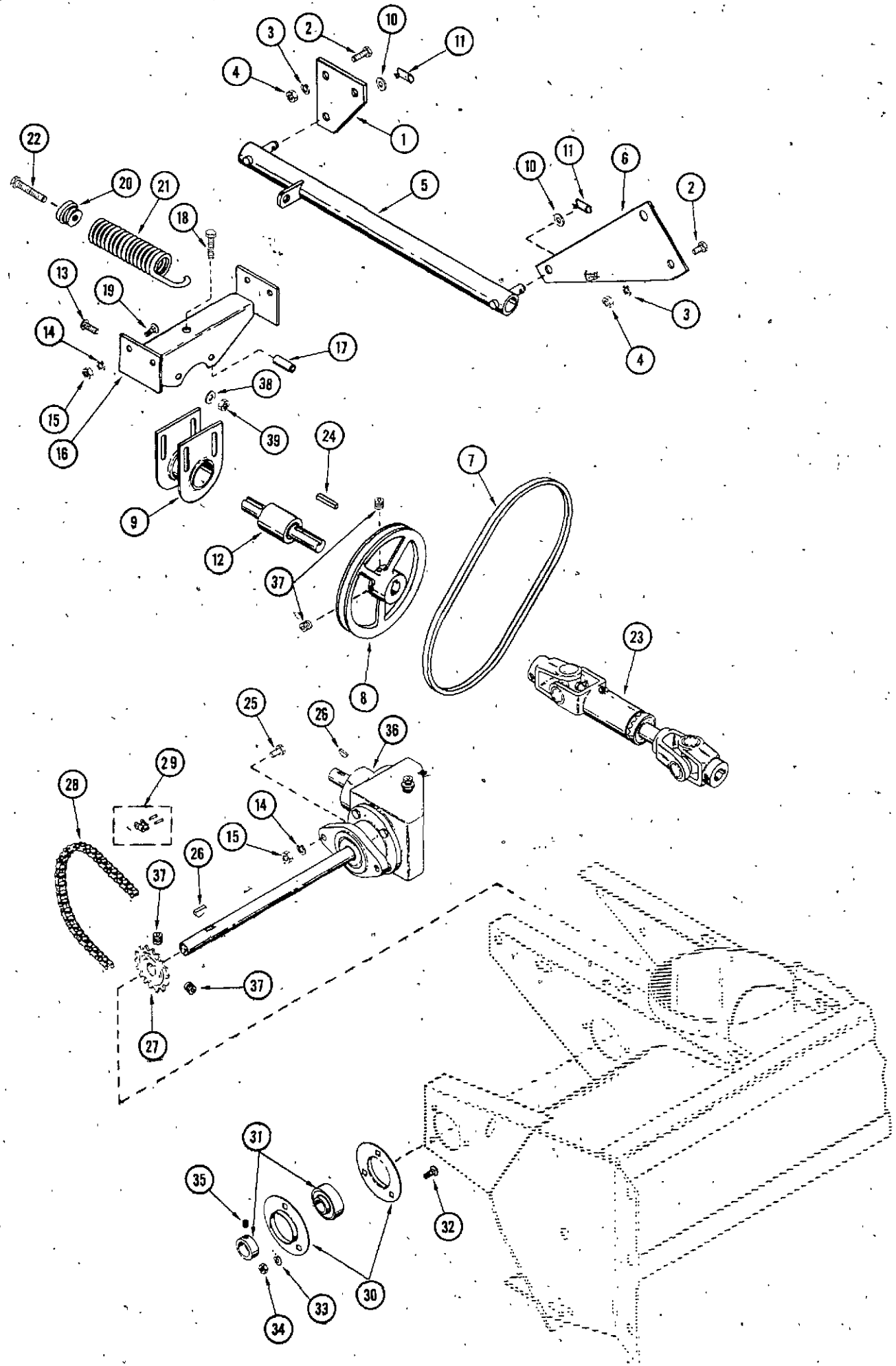
**AUGER ASSEMBLY**

**155 AND 195 COMPACT TRACTORS**

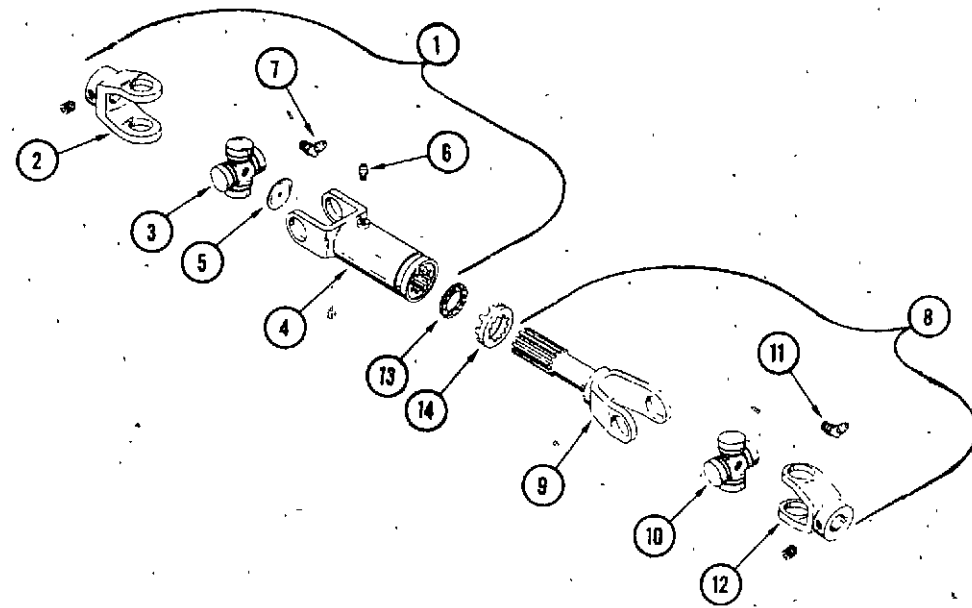


REF. PART NO.	DESCRIPTION	REQ'D
1 C 11703	HOUSING - auger	1
2 C 11759	AUGER	1
3 C 11738	BEARING - auger	2
4 C 11760	SHAFT - auger	1
5 111- 302	BOLT - 3/8" x 3/4" N.C. Rd. Hd. Sq. Neck	1
6 192- 21	LOCKWASHER - 3/8"	3
7 129- 103	NUT - N.C. Hex	3
8 C 12214	WHEEL - guide	2
9 C 11729	BUSHING - guide wheel	2
10 12- 628	BOLT - 3/8" x 1-3/4" Rd. Hd. Sq. Neck	2
11 131- 6	NUT - lock, 3/8" N.C.	3
12 195- 524	WASHER - 3/8" Plain	2
13 C 12215	BUSHING - nylon	2
14 C 11739	ARM - mounting	2
15 115- 505	BOLT - 5/8" x 1-1/2" N.C. Hex	4
16 92- 10	WASHER - 5/8" SAE Lock	4
17 129- 107	NUT - 5/8" N.C. Hex	4
18 C 12692	PIN - clevis	2
19 C 10898	PIN - safety	2
20 C 11741	ROLLER - chute	4
21 C 11742	BUSHING - roller	4
22 111- 109	BOLT - 1/4" x 1-1/4" Rd. Hd. Sq. Neck N.C.	4
23 195- 518	WASHER - 1/4" Plain	7
24 131- 2	NUT - lock 1/4" N.C.	6
25 C 11753	CHUTE - discharge	1
26 C 11766	DEFLECTOR	1
27 132- 321	PIN - cotter, 3/32" x 1"	1
28 115- 1	BOLT - 1/4" x 1/2" N.C. Hex	2
29 115- 205	BOLT - 3/8" x 1-1/4" N.C. Hex	1
30 195- 104	WASHER - 3/8" Plain	2
31 C 11750	LOCK - deflector	1
32 47- 24	RIVET - flat hd. 1/8" x 1/4" Lg.	1
33 C 12064	BRACKET - control rod	1
34 111- 362	BOLT - 3/8" x 1" Rd. Hd. Sq. Neck N.C.	2
35 131- 352	NUT - lock, 3/8" N.C.	1
36 195- 525	WASHER - 3/8" Plain	1
37 C 12053	ROD - chute control	1
38 195- 530	WASHER - 1/2" Plain	1
39 132- 320	PIN - cotter 3/32" x 3/4"	1
40 C 12054	LINK - chute control, front	1
41 C 12055	LINK - chute control, rear	1
42 C 12063	SPRING - control rod	1
43 138- 138	PIN - roll, 1/4" x 1-1/2"	1
44 A 23885	KNOB - control rod	1
45 C 12068	GUIDE - chain	1

**MODEL E 36S SNOW THROWER  
LIFT AND DRIVE ASSEMBLY  
155 AND 195 COMPACT TRACTORS**

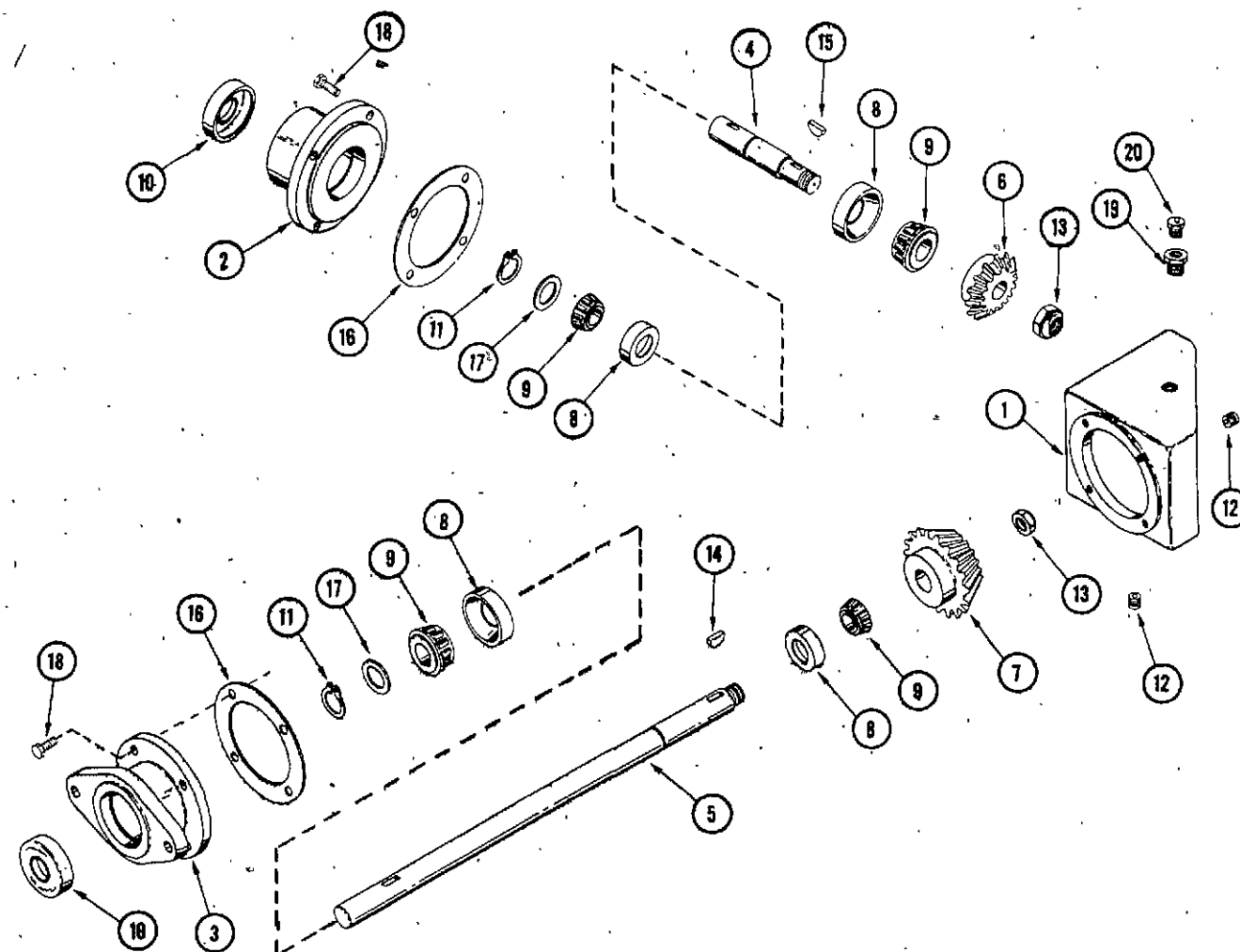


REF. PART NO.	DESCRIPTION	REQ'D
1 C 11745	BRACKET - lift lever extension	1
2 115- 406	BOLT - 1/2" x 1-1/4" N.C. Hex	3
3 92- 8	LOCKWASHER - 1/2"	3
4 129- 105	NUT - 1/2" N.C. Hex	3
5 C 12036	ROD - lift	1
6 C 12039	BRACKET - auger lift	1
7 C 11789	BELT - drive	1
8 C 10425	PULLEY	1
9 C 11777	BRACKET - adjusting	1
10 195- 530	WASHER - 1/2" Plain	2
11 C 10898	PIN - safety	2
12 C 11751	SHAFT & BEARING ASSEMBLY	1
13 111- 315	BOLT - 3/8" x 2-1/4" Rd. Hd. Sq. Neck N.C.	2
14 192- 21	LOCKWASHER - 3/8"	6
15 129- 103	NUT - 3/8" N.C. Hex	6
16 C 12043	BRACKET - pulley support	1
17 C 12045	SPACER	2
18 115- 211	BOLT - 3/8" x 3-1/2" N.C. Hex	1
19 111- 362	BOLT - 3/8" x 1" Rd. Hd. Sq. Neck N.C.	4
20 C 10965	PLUG - spring adjusting	1
21 C 10966	SPRING - lift assist	1
22 C 10967	BOLT - 3/8" x 3" N.C. Hex	1
23 C 11767	SHAFT - drive (Repairs See Page 9)	1
24 C 11796	KEY - 3/16" Sq. x 2-1/8" Lg.	1
25 115- 205	BOLT - 3/8" x 1-1/4" N.C. Hex	2
26 126- 19	KEY - Woodruff #11	2
27 C 11787	SPROCKET - drive	2
28	CHAIN - drive, 63 pitches, #41 roller chain, USE: 3 - B17074 chains 1 - B17077 connector link 1 - B17078 offset link 1 - B17079 roller link	1
B 17074	CHAIN - 20 links of #41 roller chain	3
B 17077	LINK - connecting #41 roller chain	1
B 17079	LINK - roller #41 roller chain	1
29 B 17078	LINK - offset #41 roller chain	1
30 C 11847	FLANGETTE - 3/4" shaft	2
31 F 87326	BEARING - w/collar and setscrew	1
32 111- 202	BOLT - 5/16" x 3/4" Rd. Hd. Sq. Neck N.C.	3
33 92- 5	LOCKWASHER - 5/16"	3
34 129- 102	NUT - 5/16" N.C. Hex	3
35 84- 44	SCREW - set, 1/4" x 1/4" N.F.	1
36 C 11784	GEAR BOX ASSEMBLY (Repairs See Page 9)	1
37 83- 55	SCREW - set, 5/16" x 5/16" N.C. cup point	4
38 195- 525	WASHER - 3/8" plain	2
39 131- 178	NUT - lock 3/8" N.C. hex	2



**MODEL E 36S SNOW THROWER  
155 AND 195 COMPACT TRACTORS  
DRIVE SHAFT ASSEMBLY**

REF. PART NO.	DESCRIPTION	REQ'D
C 11767	SHAFT - drive assembly	1
1 C 12321	SHAFT - female half	1
2 C 12313	YOKE - end	1
81- 66	SETSCREW	1
3 C 12319	KIT - center cross assembly	1
4 C 12314	YOKE - slip	1
5 NSS	PLUG - dust	1
6 219- 17	FITTING - grease	1
7 219- 40	FITTING - grease	1
8 C 12322	SHAFT - male half	1
9 C 12316	YOKE - splined	1
10 C 12319	KIT - center cross assembly	1
11 219- 40	FITTING - grease	1
12 C 12313	YOKE - gear box end	1
81- 66	SETSCREW	1
13 C 12318	SEAL - grease	1
14 C 12315	RETAINER - grease seal	1



**GEAR BOX ASSEMBLY**

1 C 11850	HOUSING - gear box	1
2 C 11851	HOUSING - input bearing	1
3 C 11852	HOUSING - output bearing	1
4 C 11853	SHAFT - input	1
5 C 11854	SHAFT - output	1
6 C 11855	PINION - input shaft	1
7 C 11856	GEAR - output shaft	1
8 B 12410	CUP - bearing	4
9 B 12411	CONE - bearing	4
10 C 12079	OIL SEAL	2
11 T 25683	SNAP RING	2
12 221- 841	PLUG - pipe 1/4" NPT	2
13 131- 34	NUT - pinion shaft	2
14 126- 16	KEY - Woodruff, 3/16" x 3/4", output shaft	1
15 126- 9	KEY - Woodruff, 1/8" x 1/2", input shaft	1
16 T 32754	GASKET - input and output housing	2
17 C 12077	SPACER - bearing	2
18 15- 412	BOLT - 1/4" x 3/4" N.C. Hex	8
19 221- 51	BUSHING - reducer, 1/4" NPT to 1/8"	1
20 C 12306	VENT - pressure relief	1

Printed in U.S.A.

October, 1966

**NUMERICAL INDEX**

PART NO.	PAGE NO.	REF. NO.	PART NO.	PAGE NO.	REF. NO.	PART NO.	PAGE NO.	REF. NO.				
A	23885	5	44	C	12313	9	12	195- 525	7	38		
B	12410	9	8	C	12314	9	4	195- 525	5	36		
B	12411	9	9	C	12315	9	14	195- 530	5	38		
B	17074	7		C	12316	9	9	195- 530	7	10		
B	17077	7		C	12318	9	13	219- 17	9	6		
B	17078	7	29	C	12319	9	3	219- 40	9	7		
B	17079	7		C	12319	9	10	219- 40	9	11		
C	10425	7	8	C	12321	9	1	221- 841	9	12		
C	10898	5	19	C	12322	9	8	221- 51	9	19		
C	10898	7	11	C	12892	5	18					
C	10965	7	20	F	87326	7	31					
C	10966	7	21	T	25683	9	11					
C	10967	7	22	T	32754	9	16					
C	11703	5	1	HARDWARE CODE NUMBERS								
C	11729	5	9	12-	628	5	10					
C	11738	5	3	15-	412	9	18					
C	11739	5	14	47-	24	5	32					
C	11741	5	20	81-	66	9						
C	11742	5	21	81-	66	9						
C	11745	7	1	83-	55	7	37					
C	11750	5	31	84-	44	7	35					
C	11751	7	12	92-	5	7	33					
C	11753	5	25	92-	8	7	3					
C	11759	5	2	92-	10	5	16					
C	11760	5	4	111-	109	5	22					
C	11766	5	26	111-	202	7	32					
C	11767	7	23	111-	302	5	5					
C	11767	9		111-	315	7	13					
C	11777	7	9	111-	362	5	34					
C	11784	7	36	115-	1	5	28					
C	11787	7	27	115-	205	5	29					
C	11789	7	7	115-	205	7	25					
C	11796	7	24	115-	211	7	18					
C	11847	7	30	115-	406	7	2					
C	11850	9	1	115-	505	5	15					
C	11851	9	2	126-	9	9	15					
C	11852	9	3	126-	16	9	14					
C	11853	9	4	126-	19	7	26					
C	11854	9	5	129-	102	7	34					
C	11855	9	6	129-	103	5	7					
C	11856	9	7	129-	103	7	15					
C	12036	7	5	129-	105	7	4					
C	12039	7	6	129-	107	5	17					
C	12043	7	16	131-	2	5	24					
C	12045	7	17	131-	8	5	11					
C	12053	5	37	131-	8	7	39					
C	12054	5	40	131-	34	9	13					
C	12055	5	41	131-	178	7	39					
C	12063	5	42	131-	352	5	35					
C	12064	5	33	132-	320	5	39					
C	12068	5	45	132-	321	5	27					
C	12077	9	17	138-	138	5	43					
C	12079	9	10	192-	21	5	6					
C	12214	5	8	192-	21	7	14					
C	12215	5	13	195-	104	5	30					
C	12306	9	20	195-	518	5	23					
C	12313	9	2	195-	524	5	12					

**INGERSOLL**  
Ingersoll Equipment Co., Inc.

**CASE MODEL C36 & C36R  
SNOW BLOWER FOR MODELS  
130 & 180 COMPACT TRACTORS**

Parts Catalog No. 1236

Print Shop 500 10-72 PRINTED  
IN  
U.S.A.

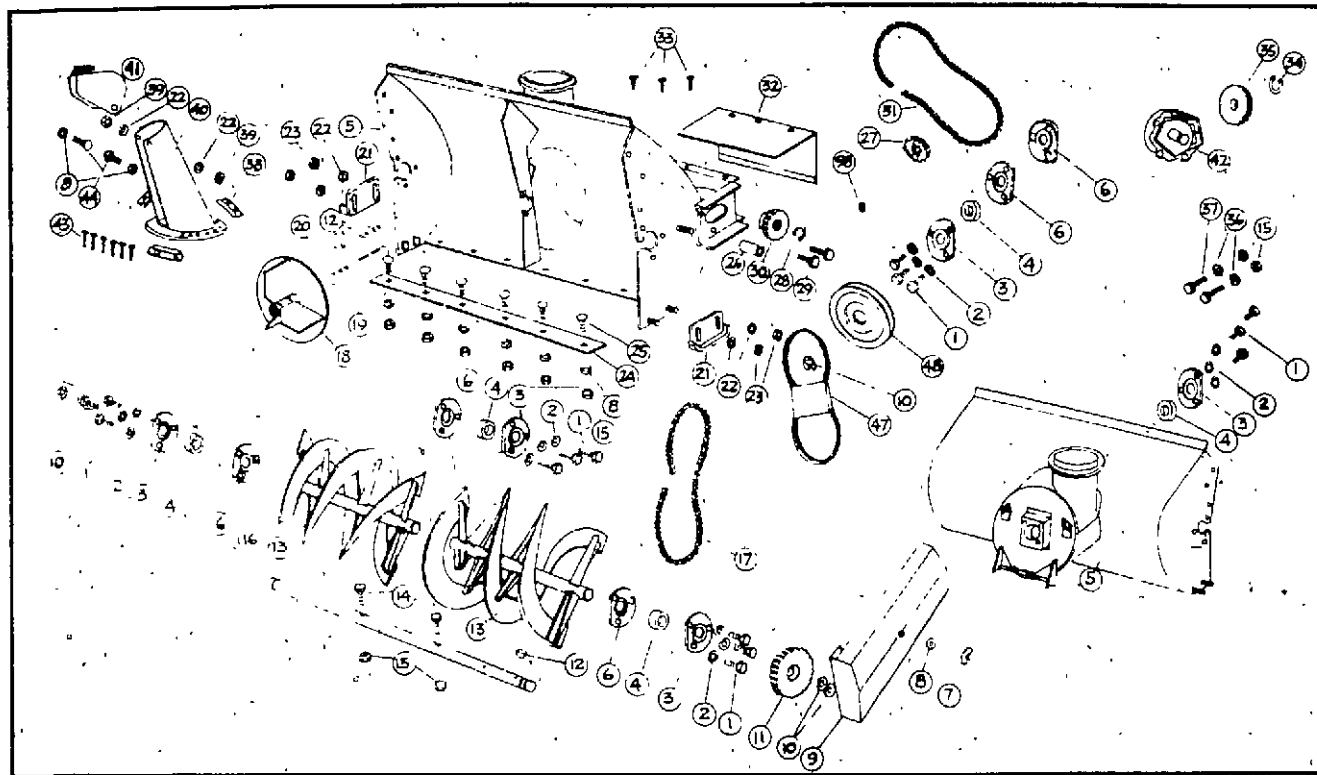
**ALPHABETICAL INDEX**

	PAGE	GRID
ENTIRE PARTS LIST .....	2-4	D4-D6

**NOTE:** See grid A2 for -  
C36S, C48S, D36S, D48S,  
CT36S, CT48S, SB36, SB48  
Haban Snow Casters

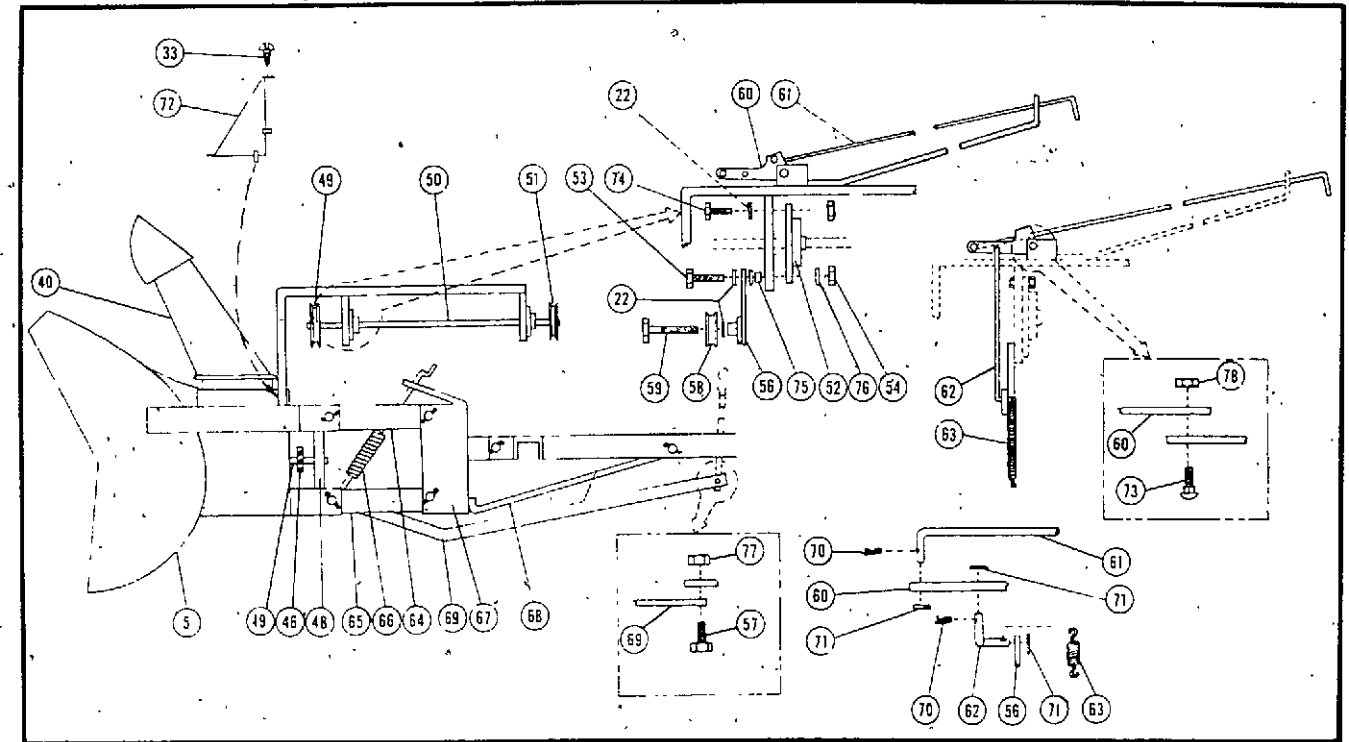
**NOTE:** See grid C2 for -  
E36S Snow Caster





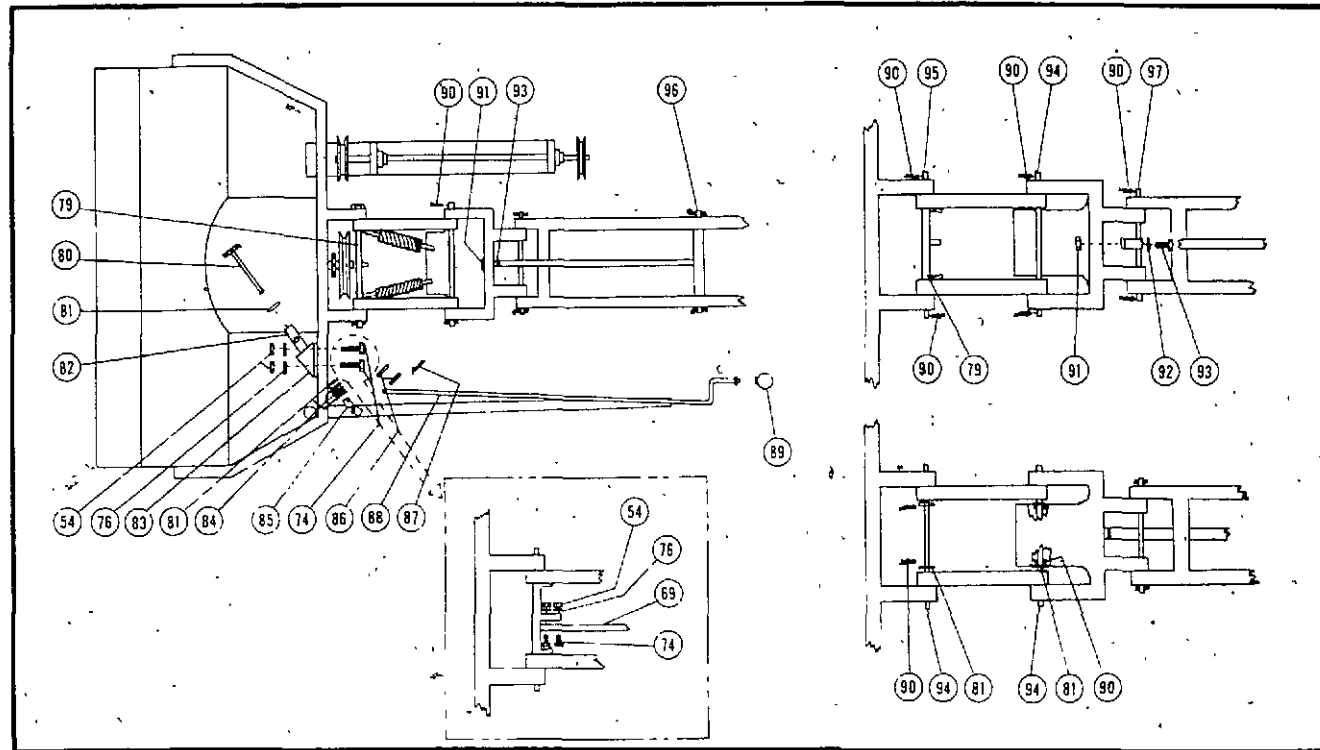
PARTS LIST FOR TWO-STAGE SNOW BLOWER

REF.	OUR PART NO.	DESCRIPTION	LAMBERT PART NO.	REQ'D.
1	13-48	Screw-Hex. Head 1/4-20 x 1/2		15
2	92-4	Washer-Split Lock, 1/4		15
3	C 10601	Cup-Bearing, Less nuts	4-10001	5
4	C 10602	Bearing-Sealed Ball	4-10000	5
5	C 10600	Housing-Impeller	7-1124	1
6	C-10603	Cup-Bearing, with Nuts	4-10002	5
7	129-405	Wing Nut-5/16-18		1
8	95-4	Washer-Plain, 5/16		11
9	C 10604	Guard-Side Chain	7-1186	1
10	09640-AB	Ring-Retaining, Type "E"		4
11	C 10605	Sprocket-30T 3/4" Bore	4-10212	1
12	126-16	Key-#9 Woodruff		3
13	C 10606	Auger Assembly-Right	4A-10388	1
	C 10607	Auger Assembly-Left	4A-10389	1
14	C 10626	Bolt-Shear, 5/16 x 18	X-1051	2
15	131-351	Lock Nut-5/16-18		10
16	C 10608	Shaft Auger	4-10386	1
17		Chain-64 Pitches of #41-1/2" Roller Chain, Use:		
	B 17074	Chain 20 Links		3
	B 17077	Conn. Link		2
	B 17079	Roller Link		2
18	C 10610	Impeller	4A-10047	1
19	C 10611	Shaft-Impeller	4-10052	1
20	138-136	Roll Pins-1/4 x 1-1/4		2
21	C 10612	Skid-Scoop	4A-10023	2
22	95-5	Washer-Plain, 3/8		14
23	131-352	Lock Nut-3/8-16		5
24	C 10613	Blade-Scraper	4-10382	1
25	11-510	Bolt-Carriage, 5/16-18 x 5/8		7
26	C 10614	Tube-Chain Guard Spacer	4-10195	1
27	C 10615	Sprocket-10T 3/4" Bore	4-10210	1
28	A 20202	Ring-Retaining, Type "E"		1
29	13-510	Screw-Hex Head 5/16-18 x 5/8		2
30	C 10616	Sprocket-10T 5/8" Bore	4-10209	1



PARTS LIST FOR TWO-STAGE SNOW BLOWER (Continued)

REF.	OUR PART NO.	DESCRIPTION	LAMBERT PART NO.	REQ'D.
31		Chain-87 Pitches of #41-1/2" Roller Chain, Use:		
	B 17074	Chain 20 Links		4
	B 17076	Chain 6 Links		1
	B 17078	Offset Links		1
32	C 10618	Guard-Rear Chain	4-10121	1
33	187-534	Screw-Self-Tapping #10-24 x 1/2		3
34	01038-FH	Ring-Retaining Ext., 5/8		1
35	C 10619	Sprocket-Gear Box	4-10036	1
36	193-9	Lockwasher- Ext. Tooth 5/16		2
37	13-512	Screw-Hex Head 5/16-18 x 3/4		2
38	C 10620	Clamp-Chute Ring	4-10058	3
39	25-105	Nut-Hex, 5/16-18		2
40	C 10621	Chute Assembly	7-1127	1
41	C 10622	Deflector-Chute	4A-1030	1
42	C 10623	Gear Box	4A-10315	1
43	173-97	Screw-Round Head Slotted #10-24 x 1/2		6
44	11-524	Bolt-Carriage, 5/16-18 x 1-1/2		2
45	C 10624	Spacer-7/8 O.D. x 3/4 I.D.	7-1115	1
46	C 10509	V-Belt-Initial Drive		1
47	C 10510	V-Belt-Final Drive C36 & CT36		1
	C 10511	V-Belt-Final Drive C36R & CT36R		1
48	C 10627	Pulley-Drive 1/2" O.D. x 3/4" Bore, for 3-V Belt	4-10208	1
49	C 10628	Pulley-Jackshaft, Final Drive, 3-1/4 O.D. x 5/8" Bore	7-1121	1
50	C 10629	Jackshaft	7-1171	1
51	C 10630	Pulley-Jackshaft, Initial Dr., 5-1/2" O.D. x 5/8" Bore	7-1122	1
52	C 10631	Bearing-Jackshaft	7-1120	2
53	13-628	Cap Screw-Hex Head 3/8-16 x 1-3/4		3
54	25-106	Nut-Hex 3/8-16		8
56	C 10632	Arm-Idler Pivot	7-1153	1
57	13-924	Cap Screw-Hex Head 9/16-12 x 1-1/2		1
58	C 10633	Pulley-Idler 2-1/4 O.D. x 3/8 Bore	4-10101	1
59	13-632	Stud-Idler 3/8-16 x 2		1
60	C 10634	Bell Crank-Idler	7-1166	1
61	C 10635	Rod-Idler Push Pull	7-1141	1
62	C 10636	Rod-Idler Link	7-1142	1
63	C 10637	Spring-Idler	4-10111	1



PARTS LIST FOR TWO-STAGE SNOW BLOWER (Continued)

REF.	OUR PART NO.	DESCRIPTION	LAMBERT PART NO.	REQ'D.
64	C 10638	Arm-Upper Lever	7-1132	2
65	C 10639	Arm-Lower Lever	7-1131	2
66	C 10640	Spring Assembly	7-1130	2
67	C 10641	Plate-Adapter C36 & CT36	7-1175	1
	C 10617	Plate-Adapter C36R & CT36R		1
68	C 10642	Adapter Support Assembly	7-1133	1
69	C 10643	Link-Lift Connecting	7-1169	1
70	136-108	Cotter-Hair Pin, 5/16"		2
71	95-3	Washer-Plain, 1/4"		3
72	C 10644	Cover-Final Belt Drive	7-1181	1
73	11-612	Bolt-Carriage, 3/8-16 x 3/4		1
74	13-620	Cap Screw-Hex. Head 3/8-16 x 1-1/4		5
75	C 10645	Spacer-Idler Pivot Arm	45-31A-7	1
76	92-6	Lockwasher, 3/8"		5
77	25-109	Nut-Hex, 9/16-12		1
79	C 10646	Sleeve-Lift Weldment	7-1188	1
80	C 10647	Shaft-Chute Control	7-1154	1
81	95-7	Washer-Plain, 1/2"		9
82	C 10598	Oiler	L-288	1
83	C 10648	Bracket-Chute Control	7-1157	1
84	C 10599	Spring-Chute Control	X-1023	1
85	C 10649	Joint-Universal	4-10169	1
86	128-301	Pin-Spiral, 1/8 x 1		2
87	132-48	Pin-Cotter, 1/8 x 1		1
88	C 10650	Crank-Chute Control	7-1187	1
89	C 10651	Knob-Chute Crank	4-10158	1
90	A 70388	Cotter-Hair Pin	X-1229	12
91	25-108	Nut-Hex., 1/2-13		1
92	92-8	Lockwasher, 1/2"		1
93	13-824	Cap Screw-Hex. Head 1/2-13 x 1-1/2		1
94	C 10652	Pin-Lift Linkage	7-1169	3
95	C 10653	Pin-Lift Weldment	7-1173	1
96	A 70369	Pin-Adapter Support Bracket		1
97	A 70364	Pin-Adapter Mounting		1
98	83-56	Set Screw, 5/16-18 x 3/8		2

PRINTED IN U.S.A.

# INGERSOLL

Ingersoll Equipment Co., Inc.