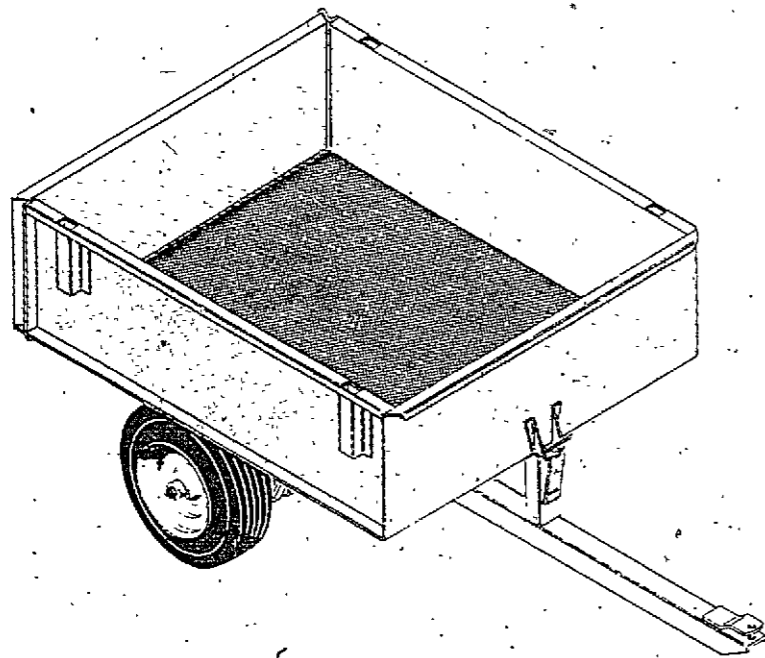
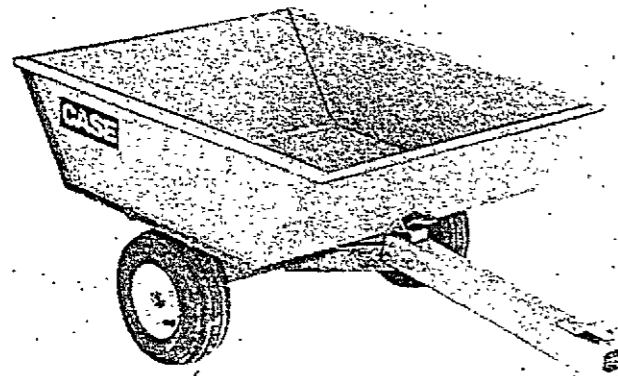


DUMP CARTS  
E60, F60 AND E62  
E65 EXTENSIONS  
Parts Catalog 8-1870

5-82-RP-1500



APPLICATION CHART

MODEL	TRACTOR OR ATTACHMENT
E60, F60 and E62	Use on all compact tractors equipped with tow hitch.
E65	E60 and F60

**JI Case**  
A Tenneco Company



OPE Division  
Technical Publications  
119 S. First Street  
Winneconne, Wis. 54986

ALPHABETICAL INDEX

	PAGE	GRID
Model E60 Dump Cart .....	5	D4
Model F60 Dump Cart .....	7	D6
Model E62 Dump Cart .....	9	D8
Model E65 Dump Cart Extensions .....	11	D10

**NOTE:** See grid A2 for -  
L90, M90, N90, P90, R90,  
S90 Lawn Sweepers

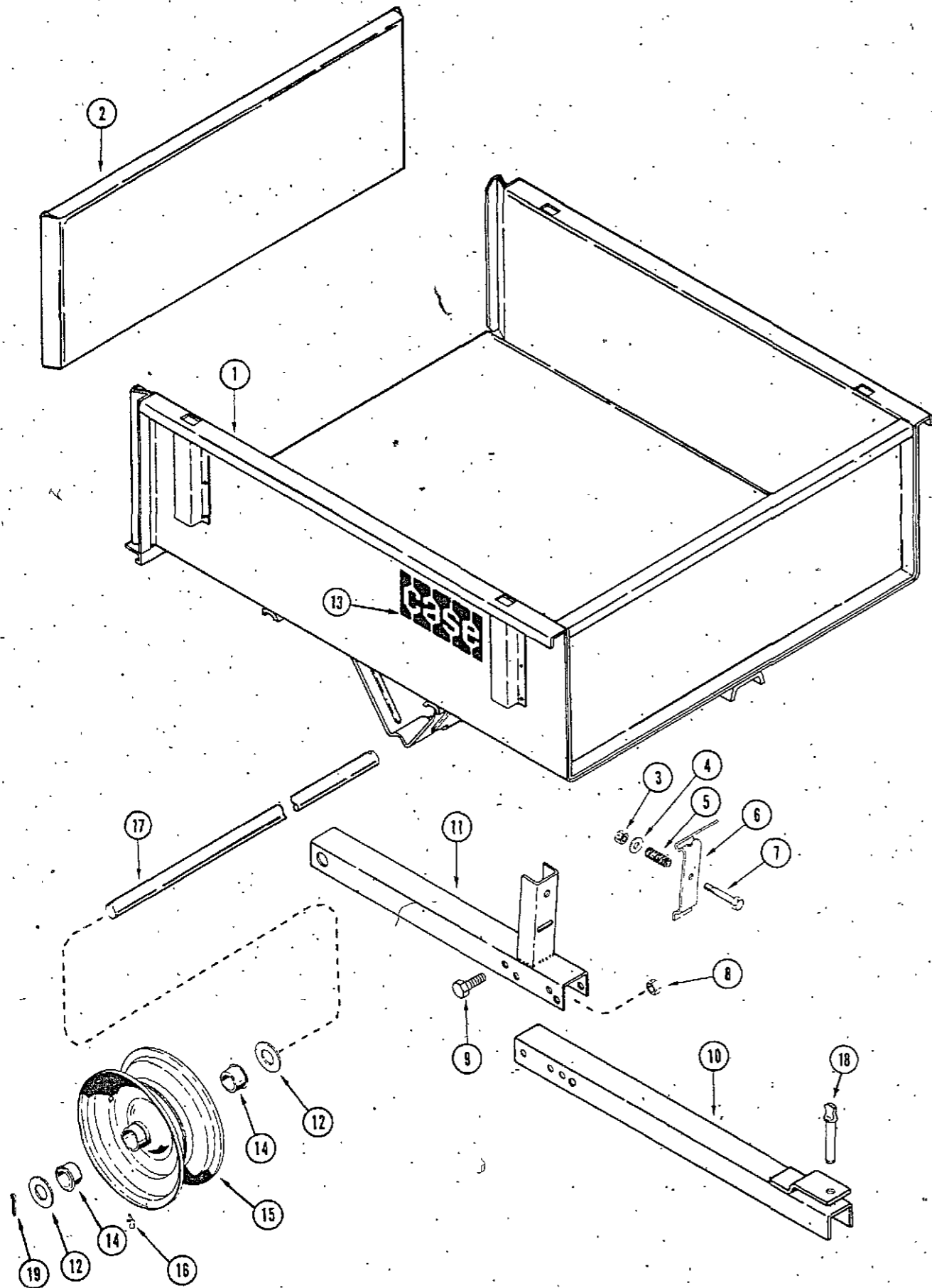
**NOTE:** See grid B2 for -  
H90, K90 Lawn Sweepers

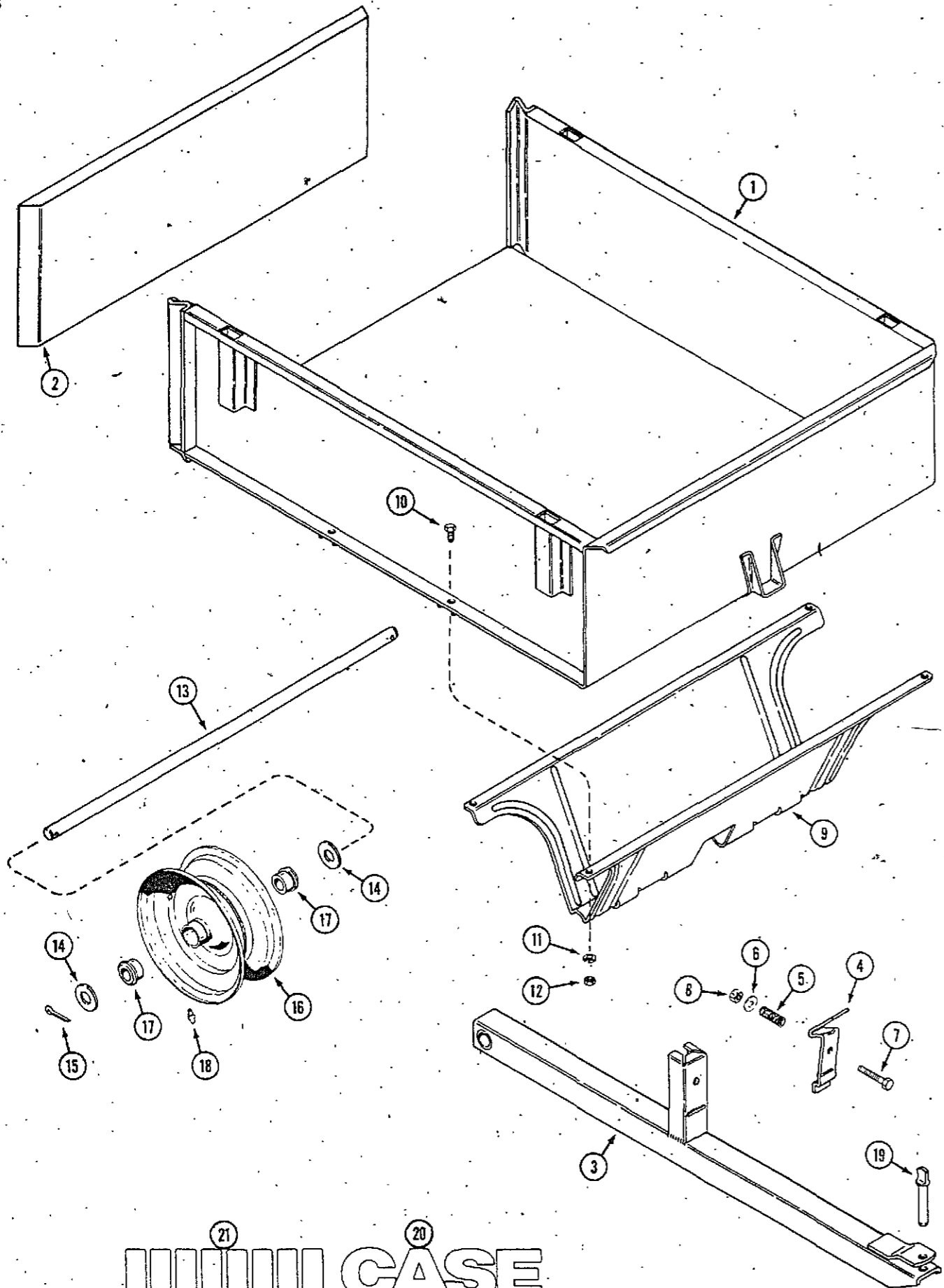
**NOTE:** See grid C2 for -  
J1, J2, K1, K2 Cabs

**NOTE:** See grid E2 for -  
J31, K31, J32, K32, L32, J34, K34,  
L34, K36 Wood Splitters

E60 DUMP CART

REF.	PART NO.	DESCRIPTION	REQ'D
1	NSS	BODY	1
2	C 13547	TAILGATE	1
3	131- 176	NUT - lock 5/16" NC hex ZP	1
4	195- 2027	WASHER - 11/32" ID ZP	1
5	C 11942	SPRING - release	1
6	C 13859	LEVER - release	1
7	113- 111	BOLT - 5/16" x 2-1/2" NC hex ZP	1
8	131- 1181	NUT - lock 3/8" NC hex ZP	4
9	113- 206	BOLT - 3/8" x 3/4" NC hex ZP	4
10	C 14072	TONGUE - front	1
11	C 14073	TONGUE - rear	1
12	195- 533	WASHER - plain 1"	4
13	321- 1571	DECAL	2
14	C 14221	BUSHING - flanged	2
15	C 24964	RIM - wheel (3-3/4" rim width) (includes bearings)	2
15	C 25222	RIM - wheel (2-1/2" rim width) (includes bearings)	2
16	219- 1	FITTING - lube	2
17	C 13920	SHAFT - axle 33-3/4"	1
18	C 10888	PIN - hitch	1
19	132- 306	PIN - cotter 3/16" x 1-3/4" ZP	2



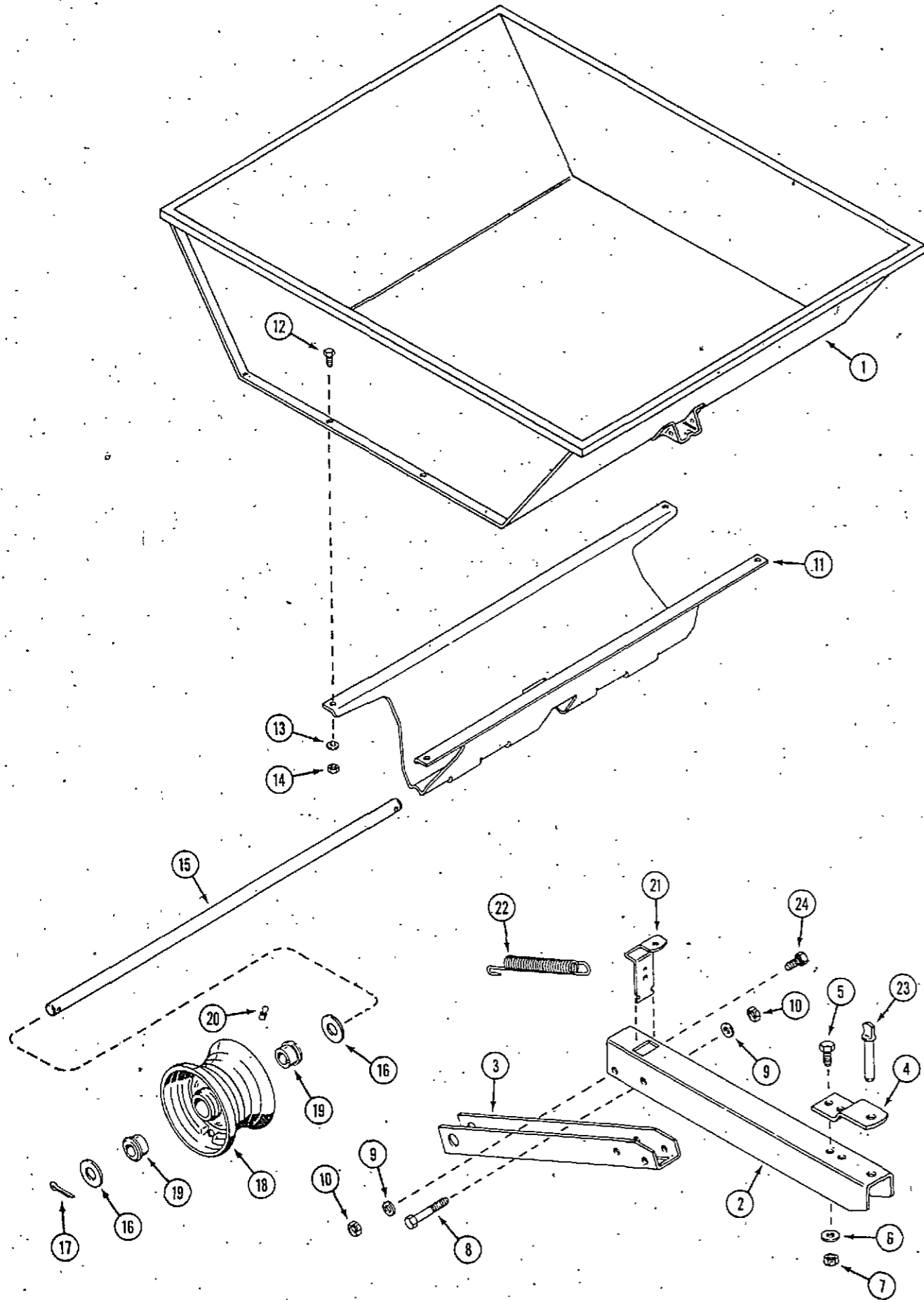


F60 DUMP CART

REF.	PART NO.	DESCRIPTION	REQ'D
1	C 26464	BODY - cart.	1
2	C 13547	TAILGATE	1
3	C 26473	TONGUE - hitch	1
4	C 13859	LEVER - latch	1
5	C 11942	SPRING - latch	1
6	195- 2175	WASHER - 11/32"	1
7	113- 111	BOLT - 5/16" - 18 x 2-1/2"	1
8	131- 176	NUT - 5/16" - 18 lock	1
9	C 26477	SUPPORT - axle	1
10	113- 102	BOLT - 5/16" - 18 x 3/4"	4
11	192- 20	LOCK WASHER - 5/16"	4
12	129- 102	NUT - 5/16" - 18	4
13	C 13920	SHAFT - axle	1
14	195- 553	WASHER - 1.06"	4
15	132- 306	PIN - cotter 3/16" x 1-3/4"	2
16	C 24964	RIM - wheel	2
17	C 14221	BEARING - flanged	4
18	219- 1	FITTING - lubrication	2
19	C 10888	PIN - hitch	1
20	321- 6379	DECAL - "Case"	2
21	321- 6380	DECAL - tread	16

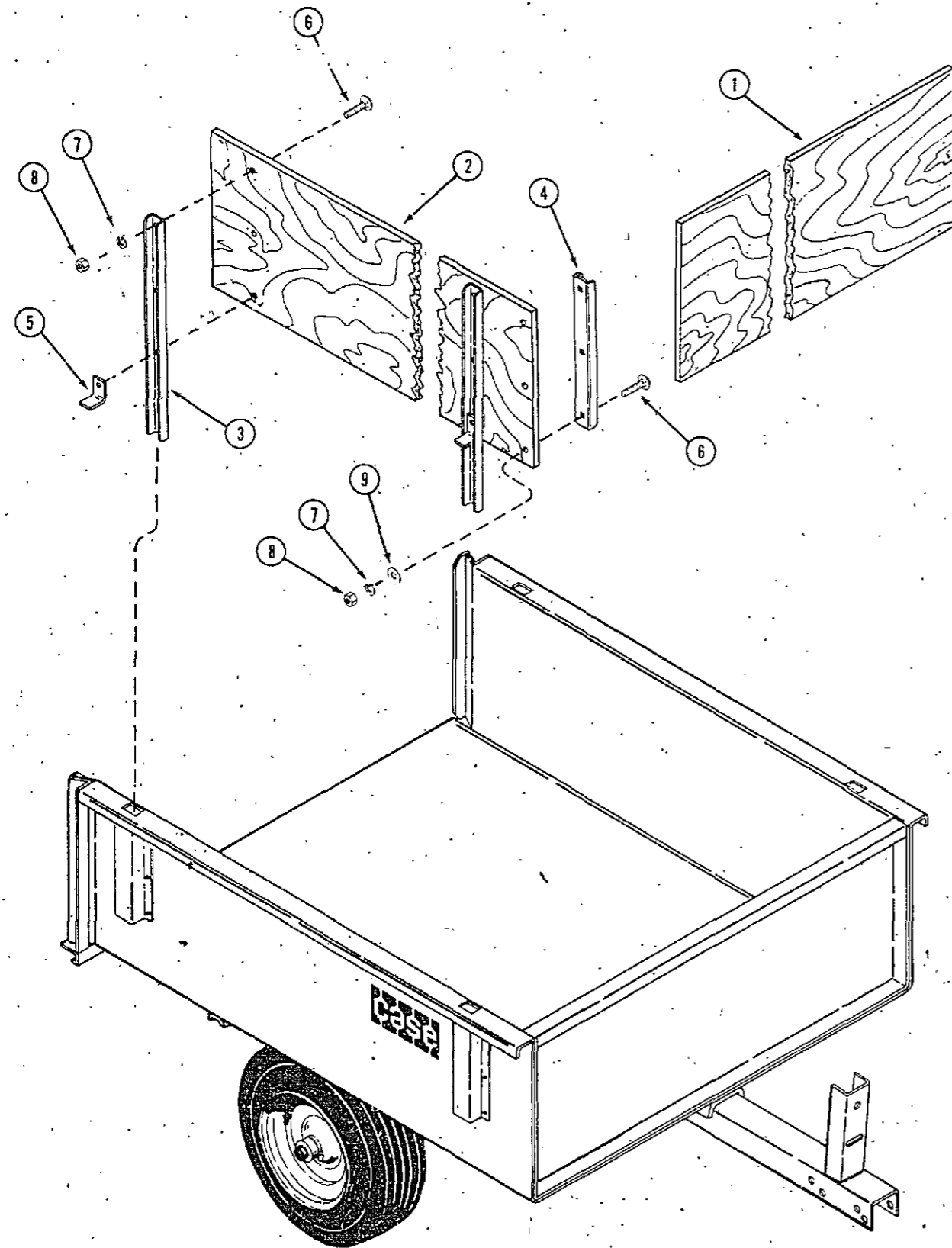


E62 DUMP CART



REF.	PART NO.	DESCRIPTION	REQ'D
1	C 26231	BODY - cart.	1
2	C 26236	TONGUE - front, hitch	1
3	C 26238	TONGUE - rear, axle	1
4	C 26237	PLATE - hitch	1
5	113- 102	BOLT - 5/16" - 18 x 3/4" hex.	2
6	195- 521	WASHER - 5/16"	2
7	131- 176	NUT - 5/16" - 18 lock, hex	2
8	113- 248	BOLT - 3/8" - 16 x 2-3/4" hex	1
9	195- 525	WASHER - 3/8"	3
10	131- 1181	NUT - 3/8" - 16 lock, hex	3
11	C 26239	SUPPORT - axle	1
12	113- 1	BOLT - 1/4" - 20 x 1/2 hex.	4
13	195- 518	WASHER - 1/4"	4
14	131- 1180	NUT - 1/4" - 20 lock, hex	4
15	C 26240	SHAFT - axle	1
16	195- 545	WASHER - 3/4"	4
17	132- 311	PIN - cotter, 5/32" x 1-1/4"	2
18	C 24502	RIM - wheel	2
19	C 24503	BEARING - flanged	4
20	219- 10	FITTING - lubrication 1/4"	2
21	C 26241	LEVER - latch	1
22	C 19553	SPRING - latch	1
23	C 10888	PIN - hitch	1
24	113- 206	BOLT - 3/8" - 16 x 3/4"	2
	321- 6379	DECAL - "Case"	2
	321- 6380	DECAL - tread	8

E65 DUMP CART EXTENSIONS



REF.	PART NO.	DESCRIPTION	REQ'D
1	C 17276	BOARD - front .....	1
2	C 17277	BOARD - side .....	2
3	C 17279	BRACKET - support side .....	4
4	C 17280	BRACKET - support front .....	2
5	C 17278	BRACKET - stop .....	4
6	111- 111	BOLT - 1/4" x 1" NC rd. hd. square neck .....	18
7	192- 19	LOCK WASHER - 1/4" .....	18
8	129- 101	NUT - 1/4" NC hex .....	18
9	195- 518	WASHER - 1/4" .....	6