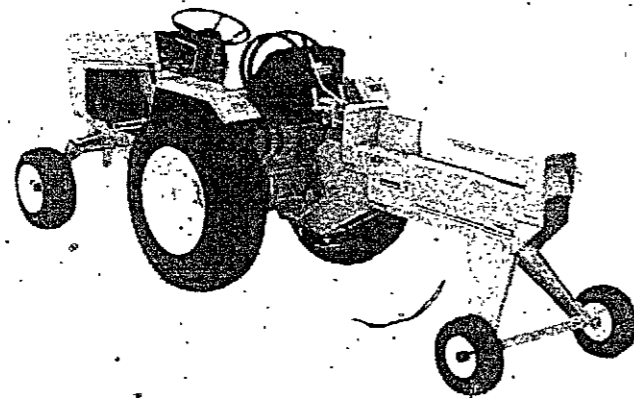


**WOOD SPLITTER**  
**J31, K31**  
**AHSHD, HSHD, J32, K32, L32**  
**J34, K34, L34**  
**AHSWD, HSWD, K36**  
**Parts Catalog 8-2052**

**NOTE:** This Catalog replaces  
 Catalog 8-2051

11-92-RP-500-141



**APPLICATION CHART**

**Wood Splitter**

**Tractor Model\***

	220 222 224	444 446 448	644 646 648 6018	3010, 3012 3014, 3016 3018	4014, 4016 4018, 4020	3118, 4116 4118, 4120
J31, K31	X	X				
J32, K32, L32		X (1) +	X (1)	X (1)	X (1)	
J34, K34, L34	X	X				
K36	X	X				
HSWD	X (2) +	X (2) +	X (2)	X (2)	X (2)	
HSHD		X (1) +	X (1)	X (1)	X (1)	
AHSWD	X (2)	X (2)	X (2)	X (2)	X (2)	X (2)
AHSHD		X (1)	X (1)	X (1)	X (1)	X (3)

(1) Requires 3 pt hitch and hydraulic PTO

(2) Requires hydraulic PTO

(3) Requires 3 pt hitch

+ May require PTO valve modification (see page 21)

\* Can-not be used on following model tractors:

220 - PIN 9702946 to 9734870    444 - PIN 9711027 to 9739739

222 - PIN 9706651 to 9736998    446 - PIN 9728158 to 9742953

224 - PIN 9708665 to 9738335

**ALPHABETICAL INDEX**

**MODEL J31, K31 WOOD SPLITTER**

	Page	Grid
Bed	7	E6
Cylinder	17	F2
Decals	25	F10
Frame, Mounting	5	E4
Hydraulic System	11-13	E10-E12
Ram	7	E6
Valve	19	F4

**MODEL J32, K32, L32, HSHD WOOD SPLITTER**

Bed	9	E8
Cylinder	17	F2
Decals	25	F10
Frame, Mounting	(See Tractor 3-Point Hitch)	
Hydraulic System	(Also See Tractor Hydraulic PTO)	
	13	E12
Wedge Slider	9	E8
Valve (Also See Tractor Hydraulic PTO)	21	F6

**MODEL J34, K34, L34 WOOD SPLITTER**

Bed	9	E8
Cylinder	17	F2
Decals	25	F10
Frame, Mounting	5	E4
Hydraulic System	13	E12
Wedge Slider	9	E8
Valve	19	F4

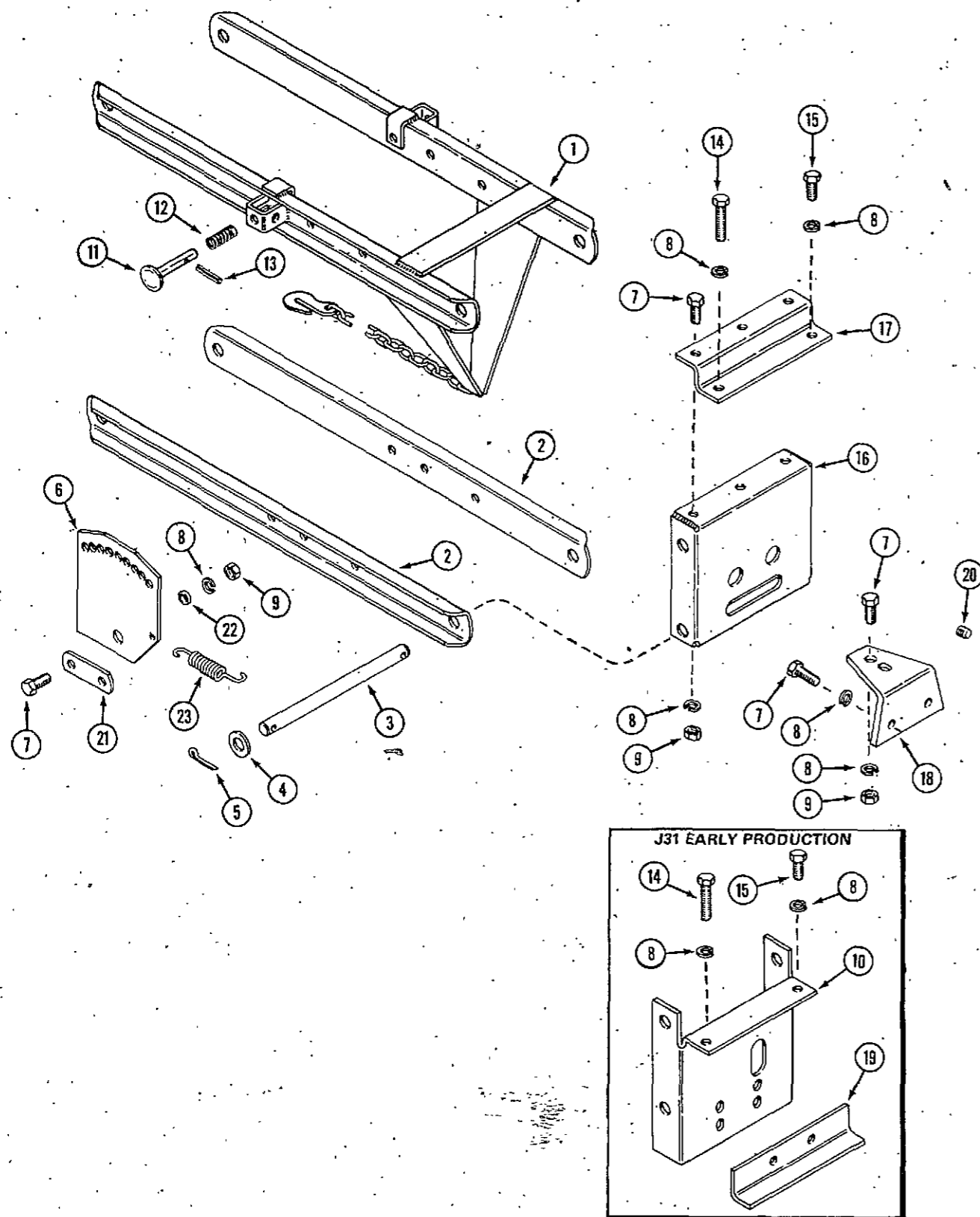
**MODEL K36, HSWD WOOD SPLITTER**

Axle	23	F8
Bed	9	E8
Cylinder	17	F2
Decals	25	F10
Hitch	23	F8
Hydraulic System	13	E12
Wedge Slider	9	E8
Wheels	23	F8
Valve	19-21	F4-F6

**MODEL AHSHD, AHSWD WOOD SPLITTERS**

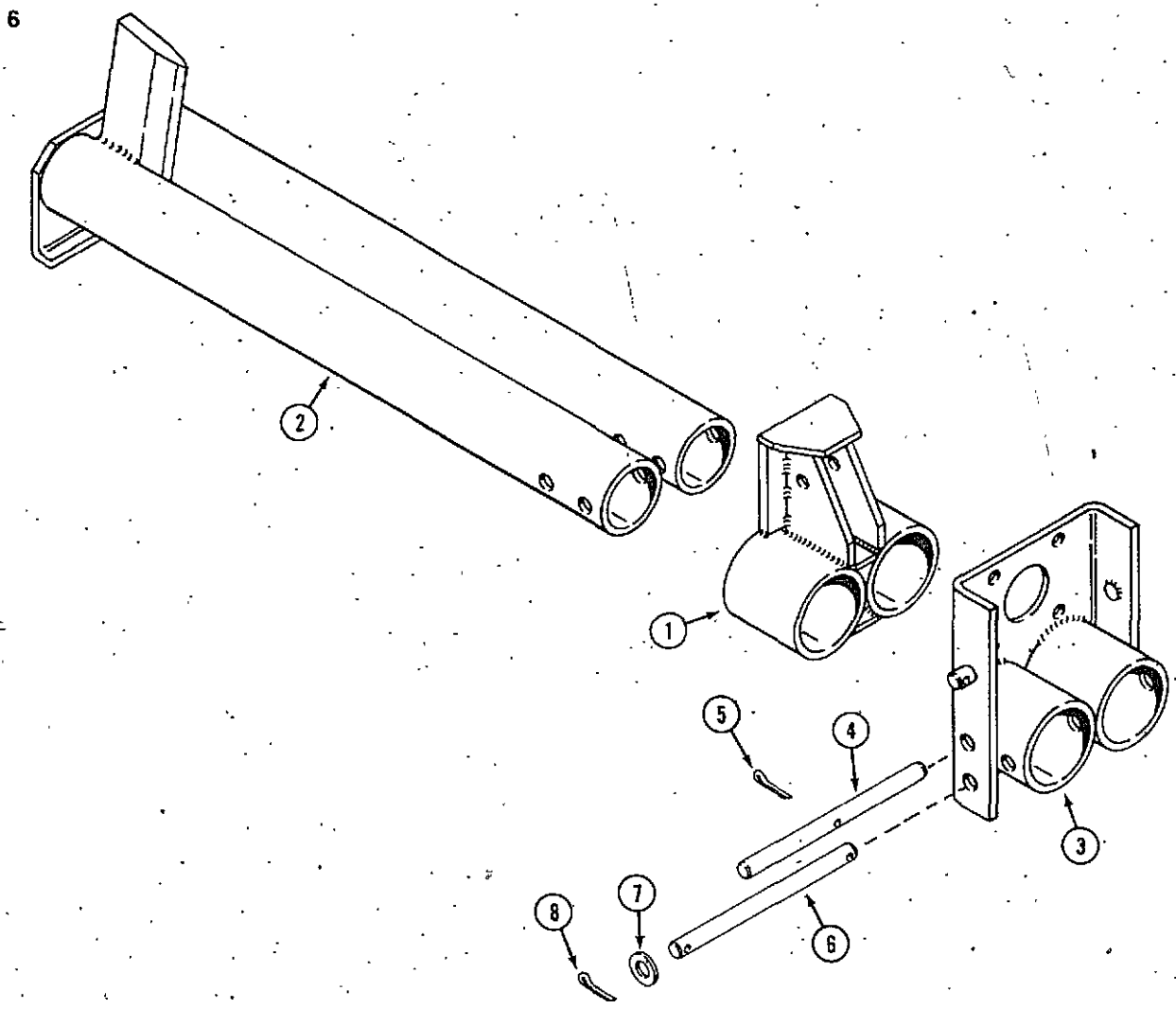
Axle	23	F8
Bed	7	E6
Cylinder	15	E14
Decals	25	F10
Hitch	23	F8
Hydraulic System	15	E14
Wedge Slider	9	E8
Wheels	23	F8
Valve	19	F4

**MOUNTING FRAME**



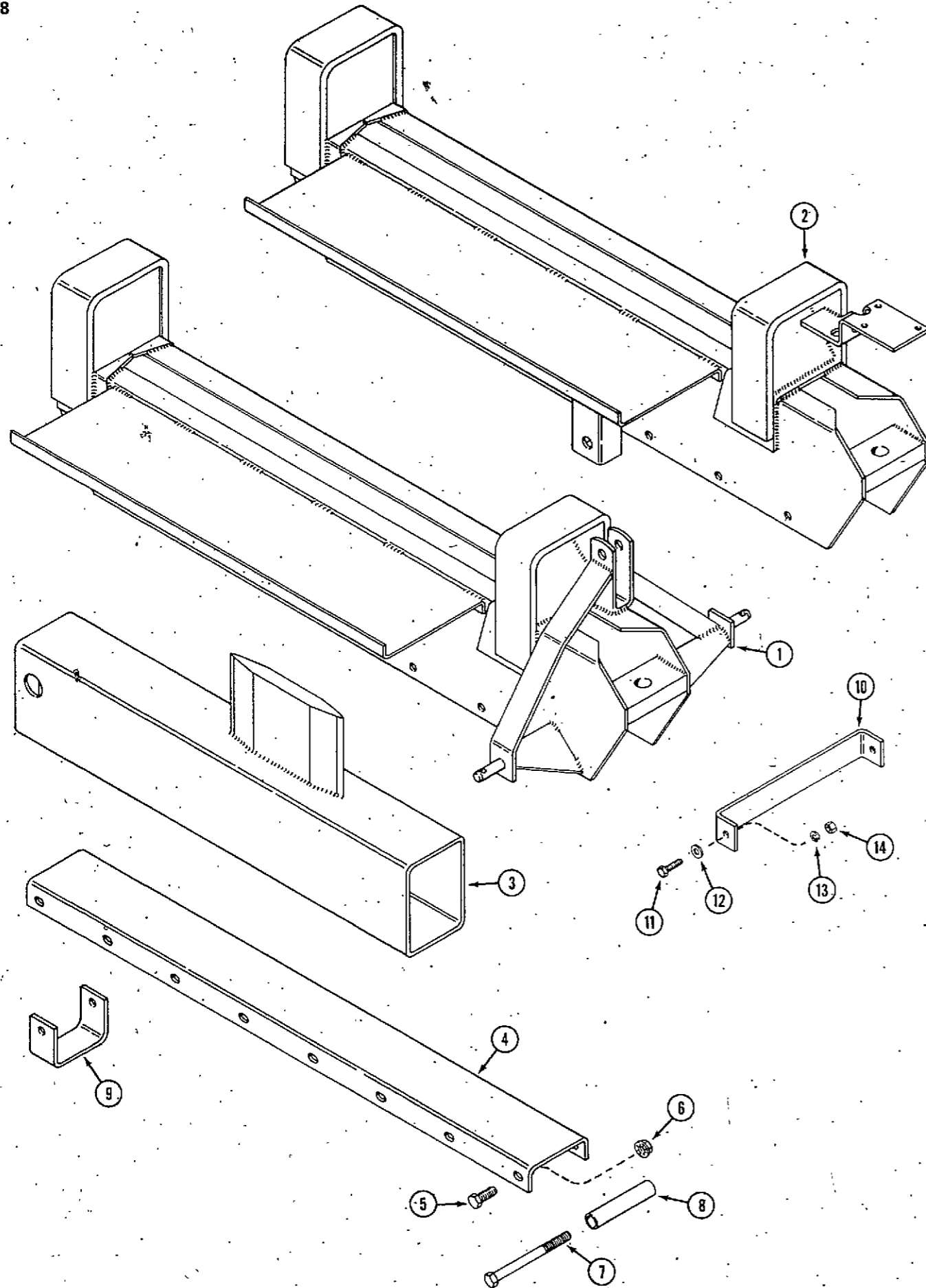
REF.	PART NO.	DESCRIPTION	REQ'D.
1	C 26527	FRAME - mounting, upper (J31, K31)	1
1	C 26691	FRAME - mounting, upper (J34, K34, L34)	1
2	C 26528	FRAME - mounting, lower	2
3	C 26535	PIN - mounting, frame	3
4	C 11906	WASHER - 3/4" x 1-1/2"	8
5	132- 311	PIN - cotter 5/32" x 1-1/4"	8
6	C 26536	PLATE - height adjust	2
7	113- 417	BOLT - 1/2" x 1-1/4"	9
8	192- 23	LOCK WASHER - 1/2"	9
9	129- 105	NUT - 1/2"	7
10	NSS	MOUNT - frame to tractor (use C26675, C26672 and C26673)	1
11	C 15278	PIN - latch	2
12	C 10482	SPRING - latch	2
13	138- 99	PIN - roll 3/16" x 1-3/8"	2
14	113- 447	BOLT - 1/2" x 3-1/2" x 3-1/2" (use on 220, 222 and 224)	1
14	113- 426	BOLT - 1/2" x 2-1/2" (use on 444, 446 and 448)	1
15	113- 417	BOLT - 1/2" x 1-1/4"	3
16	C 26675	MOUNT - frame to tractor	1
17	C 26672	BRACKET - mounting, "Z" shaped	1
18	C 26673	DRAW BAR - heavy duty	1
19	C 26658	BRACKET - spacer	1
20	221- 33	PLUG - pipe 3/8" spocket head	1
20	221- 34	PLUG - pipe 1/2" socket head	1
21	C 26733	STRAP - retaining, plate	2
22	C 29632	SPACER - plate, height adjust	4
23	C 24321	SPRING - retaining	2

RAM AND BED



REF:	PART NO.	DESCRIPTION	REQ'D
1	C 26857	RAM	1
2	C 26542	BED - splitter	1
3	C 26538	MOUNT - cylinder and bed	1
4	C 26541	PIN - mounting, bed	2
5	132- 332	PIN - cotter 3/32" x 1-1/2"	2
6	C 26535	PIN - mounting, frame	3
7	C 11906	WASHER - 3/4" x 1-1/2"	8
8	132- 311	PIN - cotter 5/32" x 1-1/4"	8

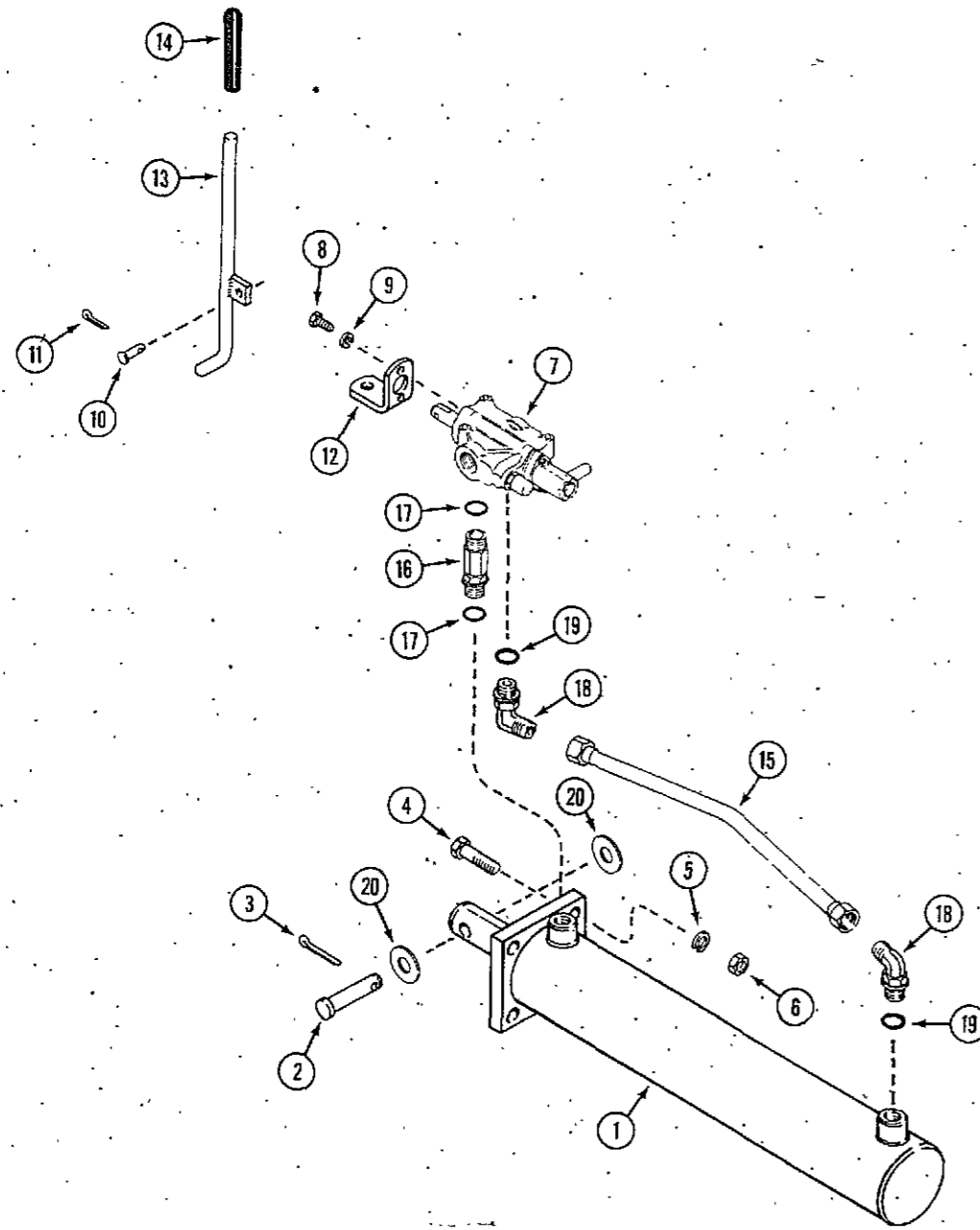
**BED AND WEDGE SLIDER**



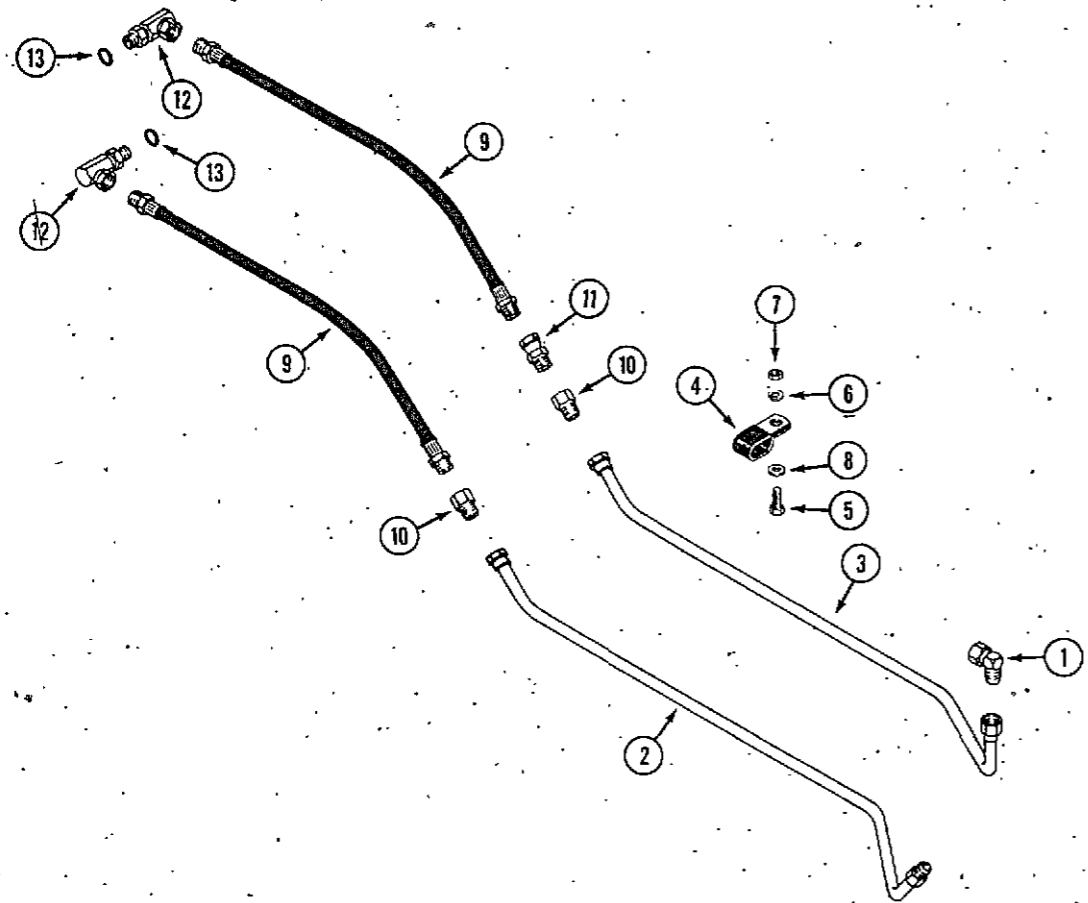
REF.	PART NO.	DESCRIPTION	REQ'D
1	C 42455	BED - splitter (J32, K32, L32, HSHD, AHSWD)	1
2	C 26679	BED - splitter (J34, K34, L34) shown	1
2	C 42456	BED - splitter (K36, HSWD, AHSWD)	1
3	C 26961	WEDGE SLIDER	1
4	C 26479	PLATE - bottom	1
5	113- 417	BOLT - 1/2" x 1-1/4"	UAR
6	131- 930	NUT - 1/2" flange	UAR
7	113-2419	BOLT - 1/2" x 6-1/2" (J34, K34, L34)	1
8	C 26677	ROLLER - pipe (J34, K34, L34)	1
9	C 26678	SHOE - bed support (J34, K34, L34)	1
9	C 42457	STRAP - (AHSWD, AHSWD)	1
10	C 26734 *	BAR - stabilizer (between arms on 3 pt. hitch)(J32, K32, L32)	1
11	113- 209	BOLT - 3/8" x 1-1/2" (J32, K32, L32)	2
12	195- 525	WASHER - 3/8" (J32, K32, L32)	2
13	192- 21	LOCK WASHER - 3/8" (J32, K32, L32)	2
14	129- 103	NUT - 3/8" (J32, K32, L32)	2

\*Not required if using HH34 hitch

CYLINDER AND VALVE HYDRAULIC CONNECTIONS



REF.	PART NO.	DESCRIPTION	REQ'D
1	C 26600	CYLINDER - hydraulic (repairs page 17)	1
2	C 28933	PIN - clevis	1
3	132- 310	PIN - cotter	1
4	113- 421	BOLT - 1/2" x 2"	4
5	192- 23	LOCK WASHER - 1/2"	4
6	129- 105	NUT - 1/2"	4
7	C 33426	VALVE - hydraulic (repairs page 19)	1
8	113- 3	BOLT - 1/4" - 20 x 3/4"	2
9	192- 19	LOCK WASHER - 1/4"	2
10	C 28964	PIN - clevis 3/16"	1
11	132- 329	PIN - cotter	1
12	C 26613	BRACKET - handle	1
13	C 26614	HANDLE - valve	1
14	C 26020	GRIP - handle	1
15	C 26602	TUBE - valve to cylinder	1
16	C 26601	FITTING - straight	1
17	218-5007	"O" RING - fitting	2
18	218-5107	FITTING - 90°swivel	2
19	218-5007	"O" RING - fitting	2
20	195- 105	WASHER - (put on outside of wedge)	2

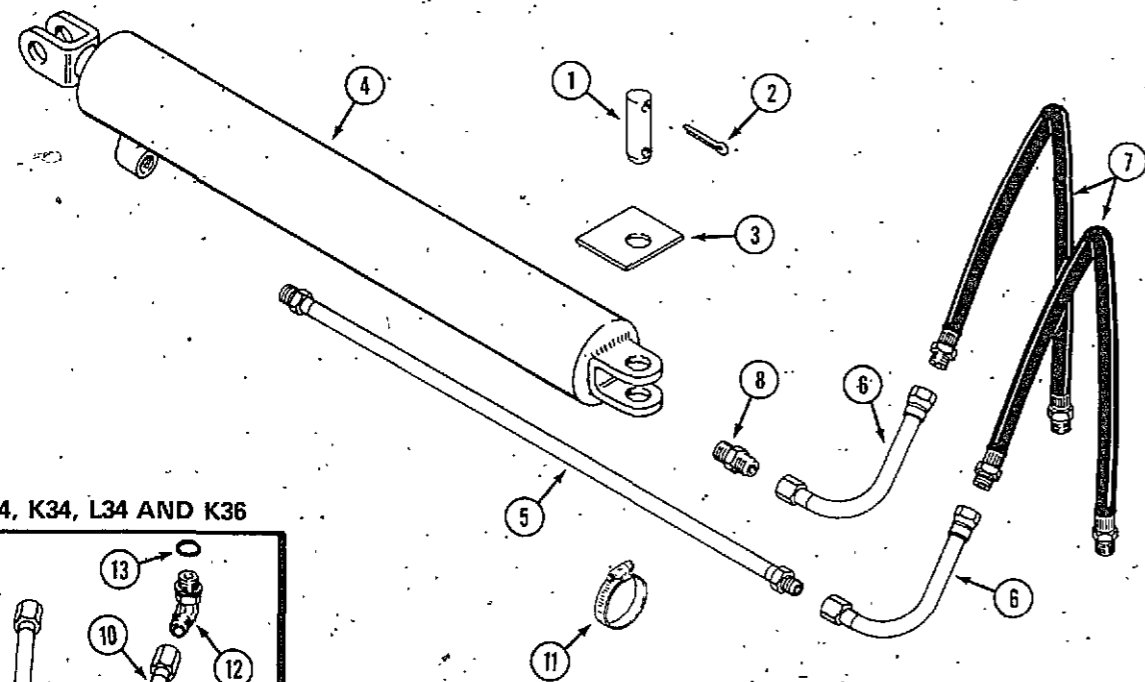


HYDRAULIC TUBES AND HOSES (J31, K31, J34, K34, L34 AND K36)

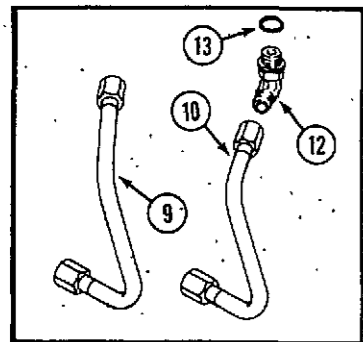
REF.	PART NO.	DESCRIPTION	REQ'D
1	218-5232	FITTING - 90° swivel	1
2	C 26686	TUBE - hydraulic (pump to splitter valve inlet)	1
3	C 26690	TUBE - hydraulic (tractor travel valve to splitter valve outlet)	1
4	C 29023	CLAMP - tube	2
5	113-103	BOLT - 5/16" x 1"	2
6	192-20	LOCK WASHER - 5/16"	2
7	129-102	NUT - 5/16"	2
8	195-103	WASHER - 5/16"	2
9	C 28320	HOSE - hydraulic	2
10	218-465	FITTING - adaptor (early production)	2
11	218-903	FITTING - pipe, swivel (early production)	1
12	218-5201	FITTING - 90° swivel	2
13	218-5007	"O" RING - fitting	2

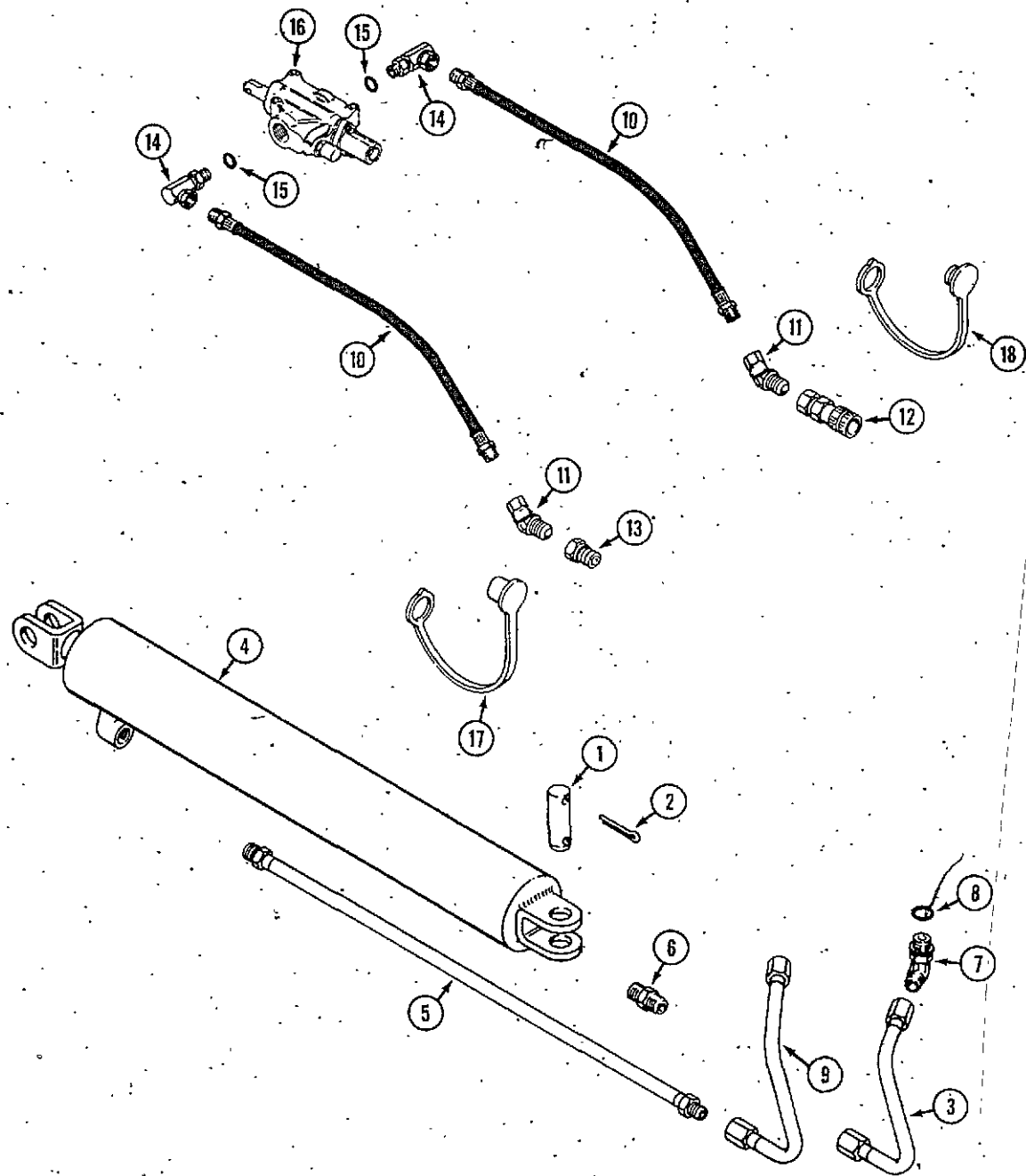
CYLINDER AND HYDRAULIC LINES (J32, K32, L32, J34, K34, L34, K36, HSHD, HSWD)

1	C 26580	PIN - cylinder	2
2	132-306	PIN - cotter 3/16" x 1-3/4"	4
3	C 26598	PLATE - cover (early production)	1
4	C 27252	CYLINDER - hydraulic (repairs page 17)	1
5	C 26582	TUBE - cylinder	1
6	C 29037	TUBE - cylinder to hose (J32, K32, L32, HSHD, HSWD)	2
7	C 28320	HOSE - hydraulic (J32, K32, L32, HSHD, HSWD)	2
8	218-445	FITTING - 37° flare - 1/2" NPT	1
9	C 26688	TUBE - cylinder rod end to valve port "A" (J34, K34, L34 and K36)	1
10	C 26689	TUBE - cylinder foot end to valve port "B" (J34, K34, L34 and K36)	1
11	214-258	CLAMP - hose	1
12	218-5107	FITTING - 7/8" - 14 x 37° flare, 90° swivel	2
13	218-5007	"O" RING - fitting	1



J34, K34, L34 AND K36

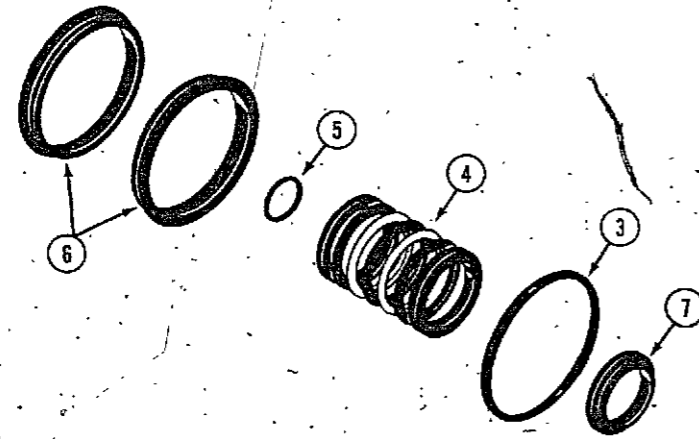




AHSHD AND AHSWD WOOD SPLITTER  
CYLINDER AND HYDRAULIC LINES

REF.	PART NO.	DESCRIPTION	REQ'D
1	C 26580	PIN - cylinder	2
2	132- 306	PIN - cotter 3/16" x 1-3/4"	4
3	C 42463	TUBE - cylinder foot end to valve port "B"	1
4	C 42462	CYLINDER - hydraulic	1
	C 40894	KIT - seal	1
5	C 26582	TUBE - cylinder	1
6	218- 445	FITTING - 37° flare - 1/2" NPT	1
7	218- 5137	FITTING - 7/8" - 14, 45°	2
8	218- 5007	"O" RING	1
9	C 42464	TUBE - cylinder rod end to valve port "A"	1
10	C 42076	HOSE - 1/2" x 42"	2
11	217- 1086	FITTING - 1/2" elbow 45°	2
12	C 37188	COUPLING - quick, female 1/2"	1
13	C 37187	COUPLING - quick, male 1/2"	1
14	218- 5201	FITTING - 90° swivel	2
15	218- 5007	"O" RING - fitting	1
16	C 30046	VALVE - hydraulic (repairs page 19)	1
17	C 40641	CAP - dust	1
18	C 40642	PLUG - dust	1

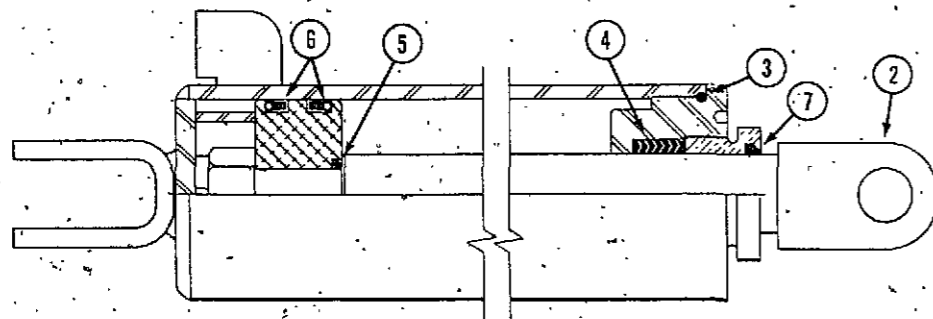
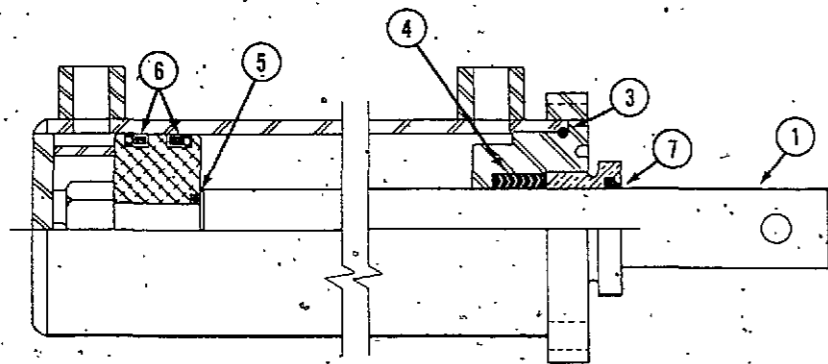
CYLINDER



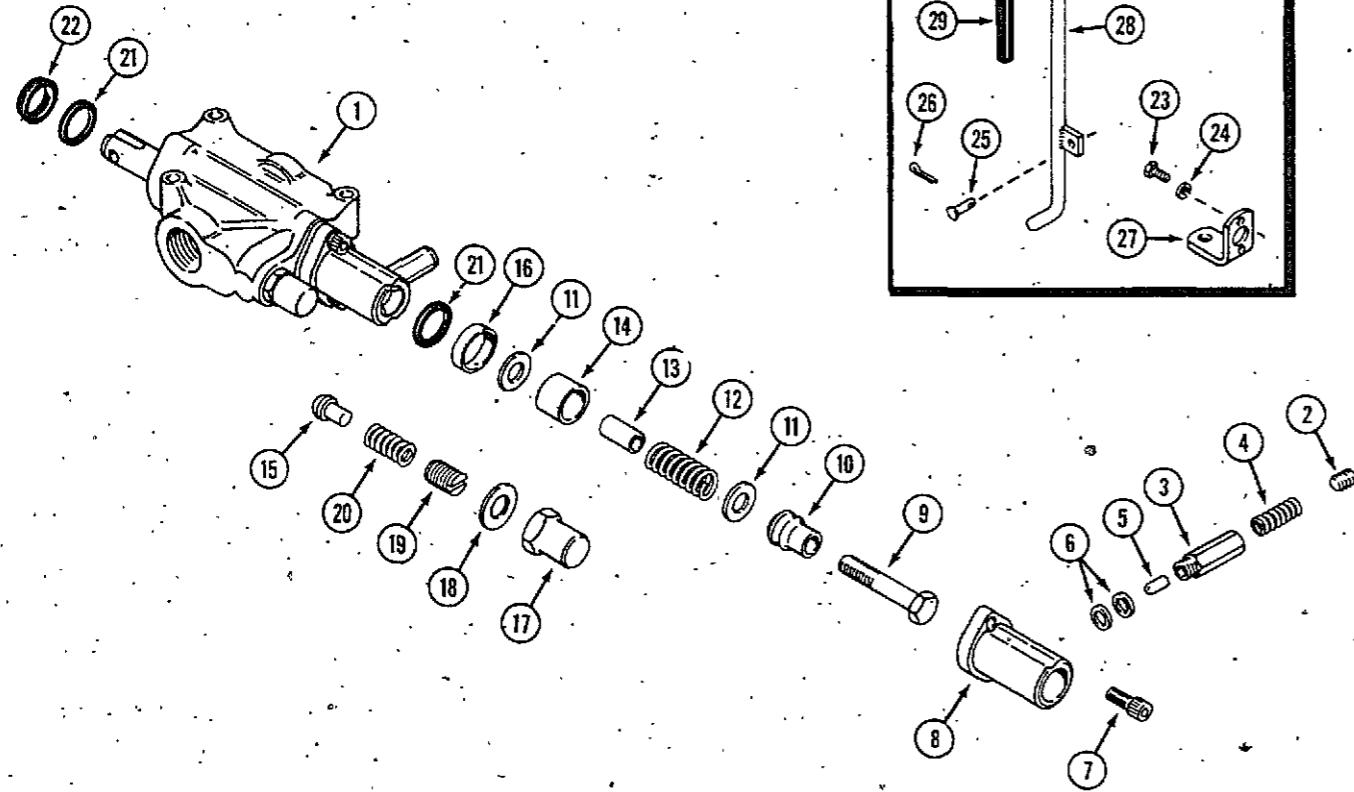
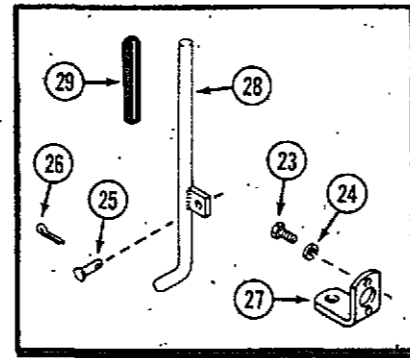
REF.	PART NO.	DESCRIPTION	REQ'D
1	C 26600	CYLINDER - hydraulic (J31, K31)	1
2	C 27252	CYLINDER - hydraulic (J32, K32, L32, J34, K34, L34, K36, HSWD, HSHD)	1
	C 27272 **	KIT - seal, cylinder	1
	C 26615 *	KIT - seal, cylinder	1
3	NSS	"O" RING - end cap	1
4	NSS	PACKING - rod	1
5	NSS	"O" RING - piston	1
6	NSS	POLYPAK - piston	2
7	NSS	WIPER - rod	1

\* Use before S/N:  
 ALL - J31, K31  
 AN 12900 - J32, K32, L32  
 AP 13480 - J34, K34, L34  
 AM 14875 - K36

\*\* Use S/N and after:  
 AN 12900 - J32, K32, L32  
 AP 13480 - J34, K34, L34  
 AM 14875 - K36  
 ALL - HSHD, HSWD





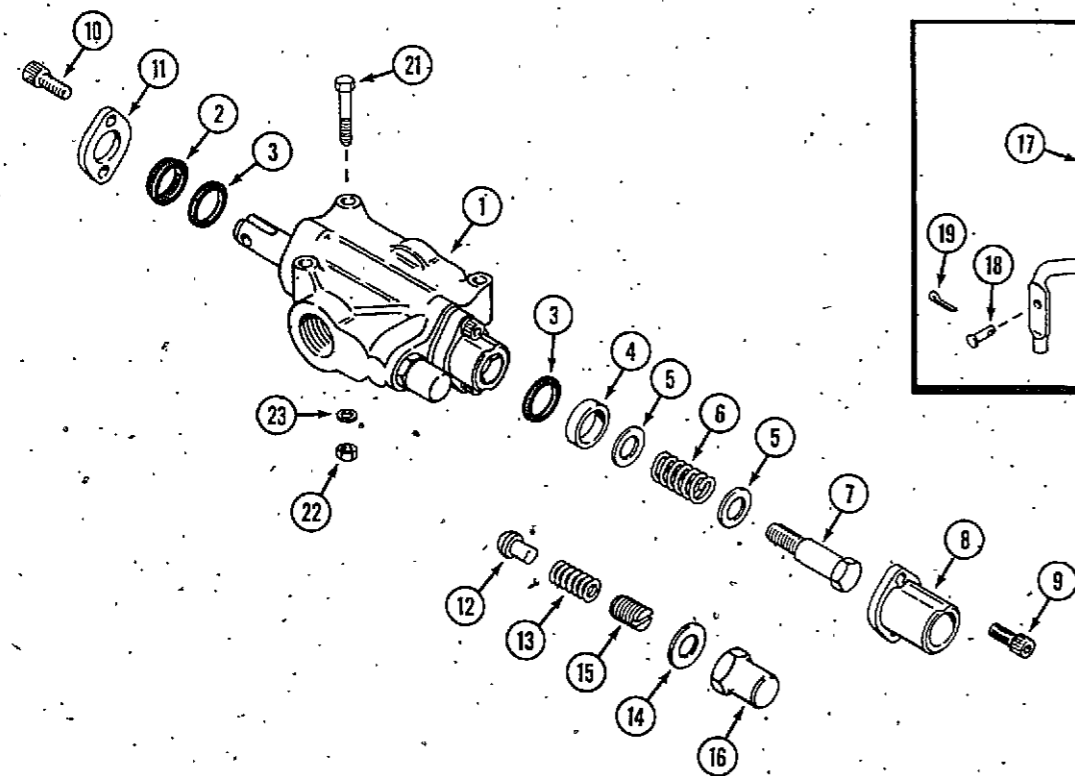
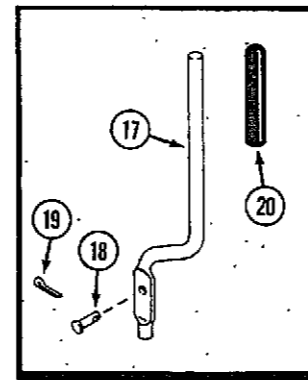


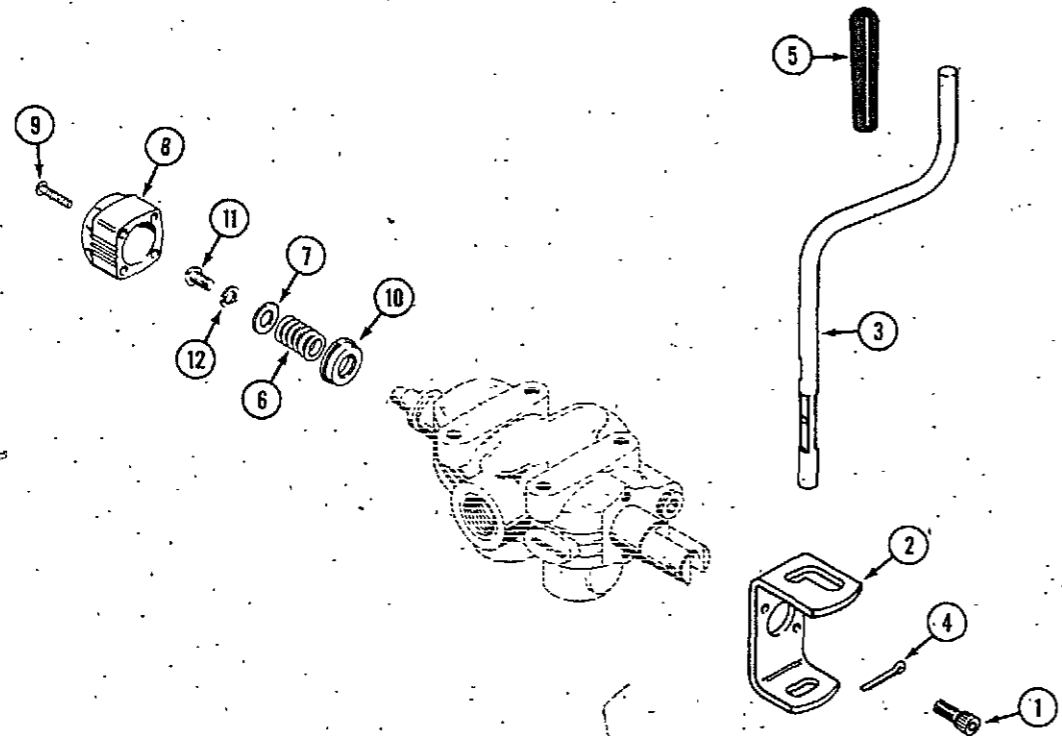
VALVE (J31, K31)

REF.	PART NO.	DESCRIPTION	REQ'D
1	C 33426	VALVE - hydraulic	1
2	83- 56	SCREW - set 5/16" - 18	1
3	C 26719	HOUSING - detent plunger	1
4	C 26718	SPRING - detent plunger	1
5	C 26717	PLUNGER - detent	1
6	C 26716	WASHER - aluminum, seal	UAR
7	165- 143	SCREW - socket head	2
8	C 26715	BONNET - end cap	1
9	113- 110	BOLT - 5/16" - 18 x 2-1/4"	1
10	C 26714	SLEEVE - detent	1
11	195- 526	WASHER	1
12	C 26721	SPRING - centering	1
13	C 26720	SPACER - detent	1
14	C 26713	SPACER - spool	1
15	C 26708	POPPET - relief	1
16	C 26722	SPACER - end cap	1
17	C 26712	NUT - cap, relief	1
18	C 26710	WASHER - aluminum, seal	1
19	C 26711	SCREW - adjustment, relief	1
20	C 26709	SPRING - relief	1
21	C 26707	RING - quad	1
22	C 26706	WIPER - spool	1
23	113- 3	BOLT - 1/4" - 20 x 3/4"	2
24	192- 19	LOCK WASHER - 1/4"	2
25	C 28964	PIN - clevis 3/16"	1
26	132- 329	PIN - cotter	1
27	C 26613	BRACKET - handle	1
28	C 26614	HANDLE - valve	1
29	C 26020	GRIP - handle	1

VALVE (J34, K34, L34, K36, AHSHD, AHSWD)

1	C 30046	VALVE - hydraulic	1
2	C 26706	WIPER - spool	1
3	C 26707	RING - quad	2
4	C 26722	SPACER - end cap	1
5	195- 526	WASHER	2
6	C 26724	SPRING - centering	1
7	C 26725	BOLT - shoulder	1
8	C 26726	BONNET - end cap	1
9	165- 143	SCREW - 1/4" - 20 x 3/4" socket head	2
10	165- 142	SCREW - 1/4" - 20 x 5/8" socket head	2
11	C 26727	RETAINER - seal	1
12	C 26708	POPPET - relief	1
13	C 26709	SPRING - relief	1
14	C 26710	WASHER - aluminum, seal	1
15	C 26711	SCREW - adjustment, relief	1
16	C 26712	NUT - cap, relief	1
17	C 26694	HANDLE - valve (J34, K34, L34, K36)	1
17	C 42466	HANDLE - valve (AHSHD, AHSWD)	1
18	C 28964	PIN - clevis 3/16"	1
19	132- 329	PIN - cotter	1
20	C 26020	GRIP - handle	1
21	113- 132	BOLT - 1/4" x 1-3/4"	3
22	129- 101	NUT - 1/4"	3
23	192- 19	LOCK WASHER - 1/4"	3





**HYDRAULIC PTO VALVE MODIFICATION**

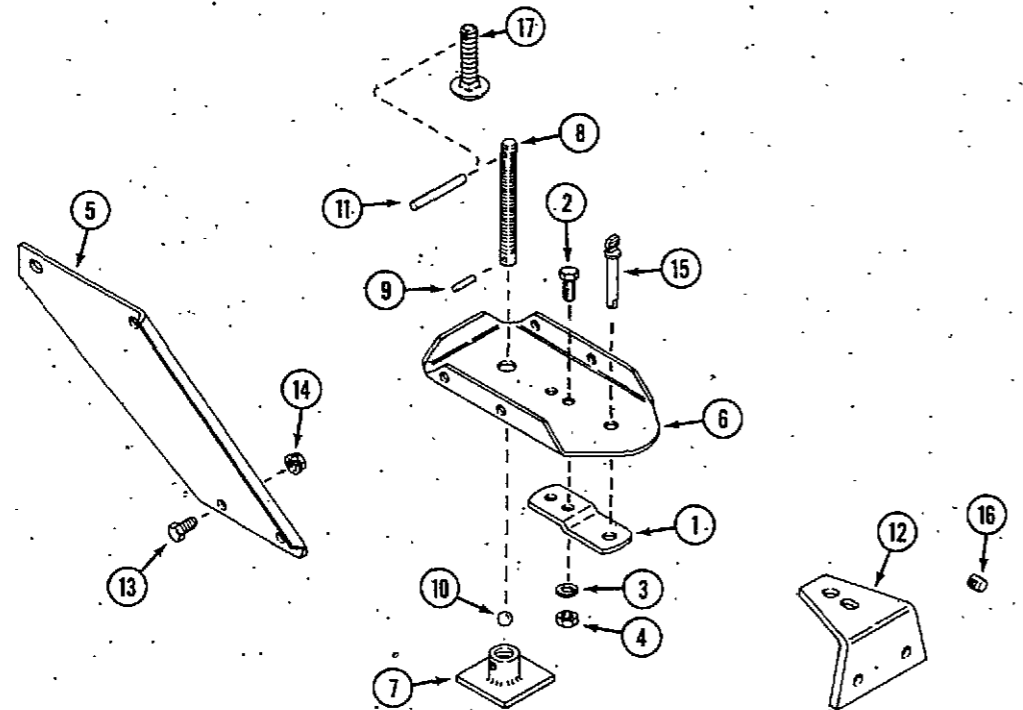
These parts included with J32, K32, L32 Only

This list only includes parts added to Hydraulic PTO Valve for splitter application.  
For other valve parts, see Hydraulic PTO Valve section in tractor catalog.

NOTE: HP30, HP40, M17, N17 hydraulic PTO valves require no modification for splitter use.

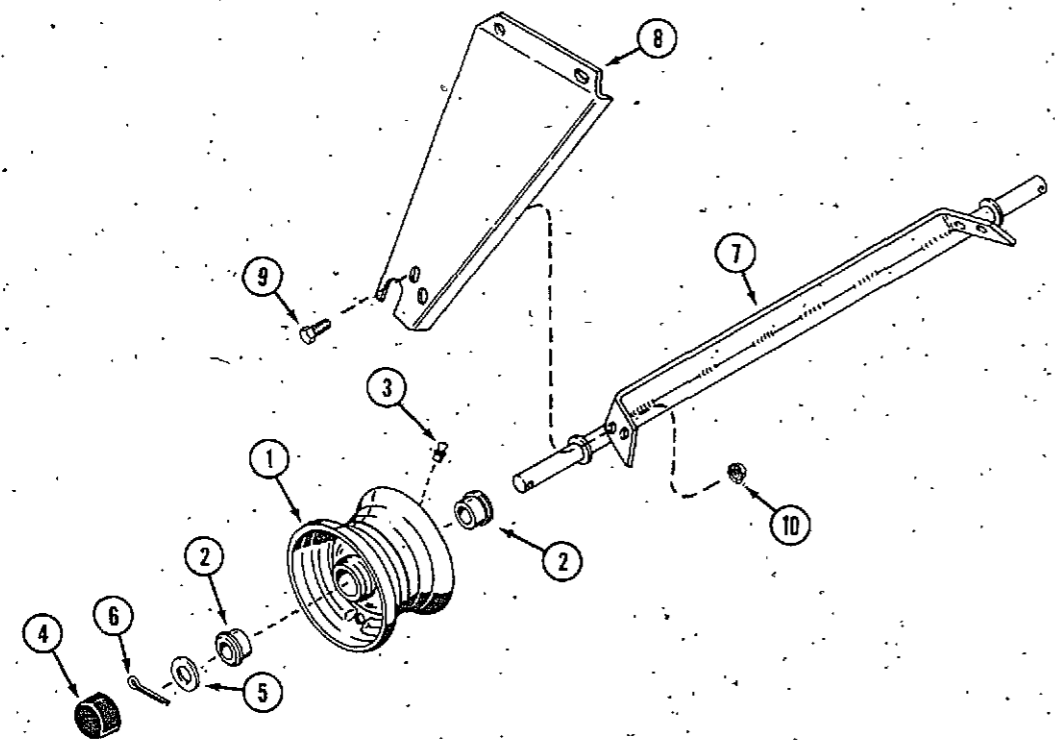
REF.	PART NO.	DESCRIPTION	REQ'D
1	165- 143	SCREW - socket head	2
2	C 26584	BRACKET - handle, valve	1
3	C 26585	HANDLE - valve	1
4	132- 329	PIN - cotter 1/16" x 3/4"	1
5	C 26020	GRIP - handle	1
6	C 26609	SPRING - centering	1
7	196- 1	WASHER	1
8	C 29026	BONNET - end cap	1
9	169- 148	SCREW - cap	4
10	C 29027	COLLAR - spool	1
11	75- 48	SCREW - 1/4" x 1/2" round head	1
12	192- 19	LOCK WASHER - 1/4"	1

**HITCH**



1	C 26237	PLATE - hitch	1
2	113- 103	BOLT - 5/16" - 18 x 1"	2
3	195- 521	LOCK WASHER - 5/16" (early production)	2
4	131- 911	NUT - 5/16" - 18	2
5	C 27884	SUPPORT - hitch R.H. (shown)	1
5	C 27883	SUPPORT - hitch L.H.	1
6	C 27886	PLATE - hitch (K36, HSWD)	1
6	C 42459	PLATE - hitch (AHSWD)	1
7	C 27890	BASE - screw jack (K36, HSWD)	1
8	C 27889	SCREW - lift (K36, HSWD)	1
9	138- 96	PIN - spiral 3/16" x 1" (K36, HSWD)	1
10	C 27888	BALL - steel (K36, HSWD)	1
11	138- 308	PIN - roll 1/4" x 3"	1
12	C 26673	DRAW BAR - heavy duty	1
13	113- 207	BOLT - 3/8" - 16 x 1"	4
14	131- 938	NUT - 3/8" flange lock	4
15	C 10888	PIN - hitch	1
16	221- 33	PLUG - pipe 3/8" hex socket head	1
16	221- 34	PLUG - pipe 1/2" hex socket head	1
17	C 42460	BOLT - special (AHSWD)	1

**AXLE AND WHEELS**



1	C 30908	WHEEL	2
2	C 24503	BUSHING - wheel	4
3	219- 10	FITTING - lube 1/4" - 28 taper	2
4	C 26526	CAP - hub, plastic	4
5	C 28226	WASHER	2
6	132- 49	PIN - cotter	2
7	C 27880	SHAFT - axle	1
8	C 27881	SUPPORT - axle R.H. (shown)	1
8	C 27882	SUPPORT - axle L.H.	1
9	113- 103	BOLT - 5/16" - 18 x 1"	4
10	131- 911	NUT - 5/16" flange lock	4

DECALS

①

**WARNING**

**PINCH POINT**

KEEP HANDS AWAY FROM RAM, WEDGE AND PARTIALLY SPLIT WOOD. PINCHING CAN CAUSE INJURY. STAND CLEAR AND KEEP HANDS AND FEET FROM UNDER WOOD SPLITTER WHEN CHANGING HEIGHT. UNEXPECTED MOVEMENT CAN CAUSE INJURY.

READ OWNERS MANUAL BEFORE OPERATING

⑪

**CAUTION**

READ OPERATOR'S MANUALS. ONLY ONE PERSON SHOULD OPERATE THE LOG SPLITTER AND LOAD THE LOGS. SPLIT WOOD IN DIRECTION OF THE GRAIN ONLY. STAY IN MANUFACTURER'S DESIGNATED OPERATOR ZONE. HOLD LOG SIDES WHEN LOADING. KEEP HANDS AWAY FROM RAM, WEDGE, AND PARTLY SPLIT LOGS. NEVER LEAVE THIS MACHINE UNATTENDED DURING OPERATION. DON'T REFUEL A HOT OR RUNNING ENGINE. STAY OFF SLOPES AND SLIPPERY SURFACES.

FAILURE TO OBSERVE THESE PRECAUTIONS COULD RESULT IN INJURY

④

**IMPORTANT**

HOSE CONNECTIONS MUST BE AS SHOWN TO PREVENT POSSIBLE EQUIPMENT DAMAGE

LOG SPLITTER CONNECTED      LOG SPLITTER DISCONNECTED

⑫

**CAUTION**

READ OPERATOR'S MANUALS. ONLY ONE PERSON SHOULD OPERATE THE LOG SPLITTER AND LOAD THE LOGS. SPLIT WOOD IN DIRECTION OF THE GRAIN ONLY. STAY IN MANUFACTURER'S DESIGNATED OPERATOR ZONE. HOLD LOG SIDES WHEN LOADING. KEEP HANDS AWAY FROM RAM, WEDGE, AND PARTLY SPLIT LOGS. NEVER LEAVE THIS MACHINE UNATTENDED DURING OPERATION. DON'T REFUEL A HOT OR RUNNING ENGINE. STAY OFF SLOPES AND SLIPPERY SURFACES.

FAILURE TO OBSERVE THESE PRECAUTIONS COULD RESULT IN INJURY

⑤

**IMPORTANT**

HOSE CONNECTIONS MUST BE AS SHOWN TO PREVENT POSSIBLE EQUIPMENT DAMAGE

LOG SPLITTER CONNECTED      LOG SPLITTER DISCONNECTED

② **CASE**

⑥ **hysplit™**

③ **WEDGE DIRECTION**

⑦ **hysplit.**

⑩ **INGERSOLL**

⑧ **hysplit™**

⑨

REF.	PART NO.	DESCRIPTION	REQ'D
1	C 42472	DECAL - "Warning"	1
2	321-5097	DECAL - "Case" (J31, J32, J34)	2
3	C 30784	DECAL - cylinder direction (J31, K31, J34, K34, L34, K36)	1
4	C 27028	DECAL - hydraulic hook-up instructions (J31, K31)	1
5	C 27029	DECAL - hydraulic hook-up instructions (J34, K34, L34)	1
6	C 26892*	DECAL - trade mark (Hysplit) J31, J32, J34	1
7	C 27195*	DECAL - trade mark (Hysplit) K31, K32, K34	1
8	C 27934*	DECAL - trade mark (Hysplit) K31, L34, K36	1
9	NSS	DECAL - stripe (K31, L32, L34, K36) (Use C31328 cut to length)	1
10	C 31989	DECAL - "INGERSOLL"	1
11	C 29749	DECAL - "Caution" (K31, L32, L34, K36, HSHD, HSWD)	1
12	C 42471	DECAL - "Caution" (AHSHD, AHSWD)	1

\*No longer available when stock is depleted

NUMERICAL INDEX

PART NO.	PAGE NO.	REF. NO.	PART NO.	PAGE NO.	REF. NO.
C10482	5	12	C26713	19	14
C10888	23	15	C26714	19	10
C11906	5	4	C26715	19	8
C11906	7	7	C26716	19	6
C15278	5	11	C26717	19	5
C24321	5	23	C26718	19	4
C24503	23	2	C26719	19	3
C26020	11	14	C26720	19	13
C26020	19	29	C26721	19	12
C26020	19	20	C26722	19	16
C26020	21	5	C26722	19	4
C26237	23	1	C26724	19	6
C26526	23	4	C26725	19	7
C26527	5	1	C26726	19	8
C26528	5	2	C26727	19	11
C26535	5	3	C26733	5	21
C26535	7	6	C26734	9	10
C26536	5	6	C26857	7	1
C26538	7	3	C26892	25	6
C26541	7	4	C26961	9	3
C26542	7	2	C27028	25	4
C26561	9	1	C27029	25	5
C26579	9	4	C27195	25	7
C26580	13	1	C27252	13	4
C26580	15	1	C27252	17	2
C26582	13	5	C27272	17	
C26582	15	5	C27880	23	7
C26584	21	2	C27881	23	8
C26585	21	3	C27882	23	8
C26598	13	3	C27883	23	5
C26600	11	1	C27884	23	5
C26600	17	1	C27886	23	6
C26601	11	16	C27888	23	10
C26602	11	15	C27889	23	8
C26609	21	6	C27890	23	7
C26613	11	12	C27934	25	8
C26613	19	27	C28226	23	5
C26614	11	13	C28320	13	9
C26614	19	28	C28320	13	7
C26615	17		C28933	11	2
C26658	5	19	C28964	11	10
C26672	5	17	C28964	19	25
C26673	5	18	C28964	19	18
C26673	23	12	C29023	13	4
C26675	5	16	C29026	21	8
C26677	9	8	C29027	21	10
C26678	9	9	C29037	13	6
C26679	9	2	C29632	5	22
C26686	13	2	C29749	25	11
C26688	13	9	C30046	19	1
C26689	13	10	C30784	25	3
C26690	13	3	C30908	23	1
C26691	5	1	C31989	25	10
C26694	19	17	C32257	9	2
C26706	19	22	C33426	11	7
C26706	19	2	C33426	19	1
C26707	19	21	C37187	15	13
C26707	19	3	C37188	15	12
C26708	19	15	C40894	15	
C26708	19	12	C42076	15	10
C26709	19	20	C42455	9	1
C26709	19	13	C42456	9	2
C26710	19	18	C42457	9	9
C26710	19	14	C42459	23	6
C26711	19	19	C42460	23	17
C26711	19	15	C42462	15	4
C26712	19	17	C42463	15	3
C26712	19	16	C42464	15	9

PART NO.	PAGE NO.	REF. NO.
C42466	19	17
C42471	25	12
C42472	25	1
075- 48	21	11
083- 56	19	2
113- 3	11	8
113- 3	19	23
113- 103	13	5
113- 103	23	2
113- 103	23	9
113- 110	19	9
113- 132	19	21
113- 207	23	13
113- 209	9	11
113- 417	5	7
113- 417	5	15
113- 417	9	5
113- 421	11	4
113- 426	5	14
113- 447	5	14
113- 2419	9	7
129- 101	19	22
129- 102	13	7
129- 103	9	14
129- 105	5	9
129- 105	11	6
131- 911	23	4
131- 911	23	10
131- 930	9	6
131- 938	23	14
132- 49	23	6
132- 306	13	2
132- 306	15	2
132- 310	11	3
132- 311	5	5
132- 311	7	8
132- 329	11	11
132- 329	19	26
132- 329	19	19
132- 329	21	4
132- 332	7	5
138- 96	23	9
138- 99	5	13
138- 308	23	11
165- 142	19	10
165- 143	19	7
165- 143	19	9
165- 143	21	1
169- 148	21	9
192- 19	11	9
192- 19	19	24
192- 19	19	23
192- 19	21	12
192- 20	13	6
192- 21	9	13
192- 23	5	8
192- 23	11	5
195- 103	13	8
195- 105	11	20
195- 521	23	3
195- 525	9	12
195- 526	19	11
195- 526	19	5
196- 1	21	7
214- 258	13	11
217- 1086	15	11
218- 445	13	8
218- 445	15	6

PART NO.	PAGE NO.	REF. NO.
218- 465	13	10
218- 903	13	11
218-5007	11	17
218-5007	11	19
218-5007	13	13
218-5007	13	13
218-5007	15	8
218-5007	15	15
218-5107	11	18
218-5107	13	12
218-5137	15	7
218-5201	13	12
218-5201	15	14
218-5232	13	1
219- 10	23	3
221- 33	5	20
221- 33	23	16
221- 34	5	20
221- 34	23	16
321-5097	25	2

NUMERICAL INDEX