

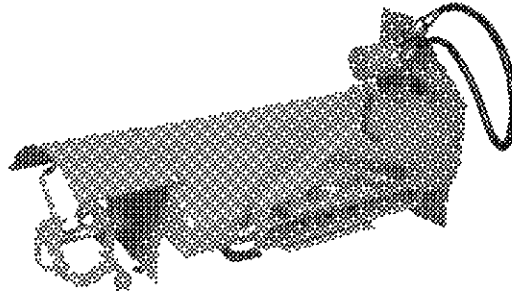


**Ingersoll**

HOME

ATTACHMENTS

**HT32, L75**  
**AHT41, HT41, J74, K74, L74**  
Parts Catalog 8-1642



**HYDRAULIC TILLER HT32**

**ALPHABETICAL INDEX**

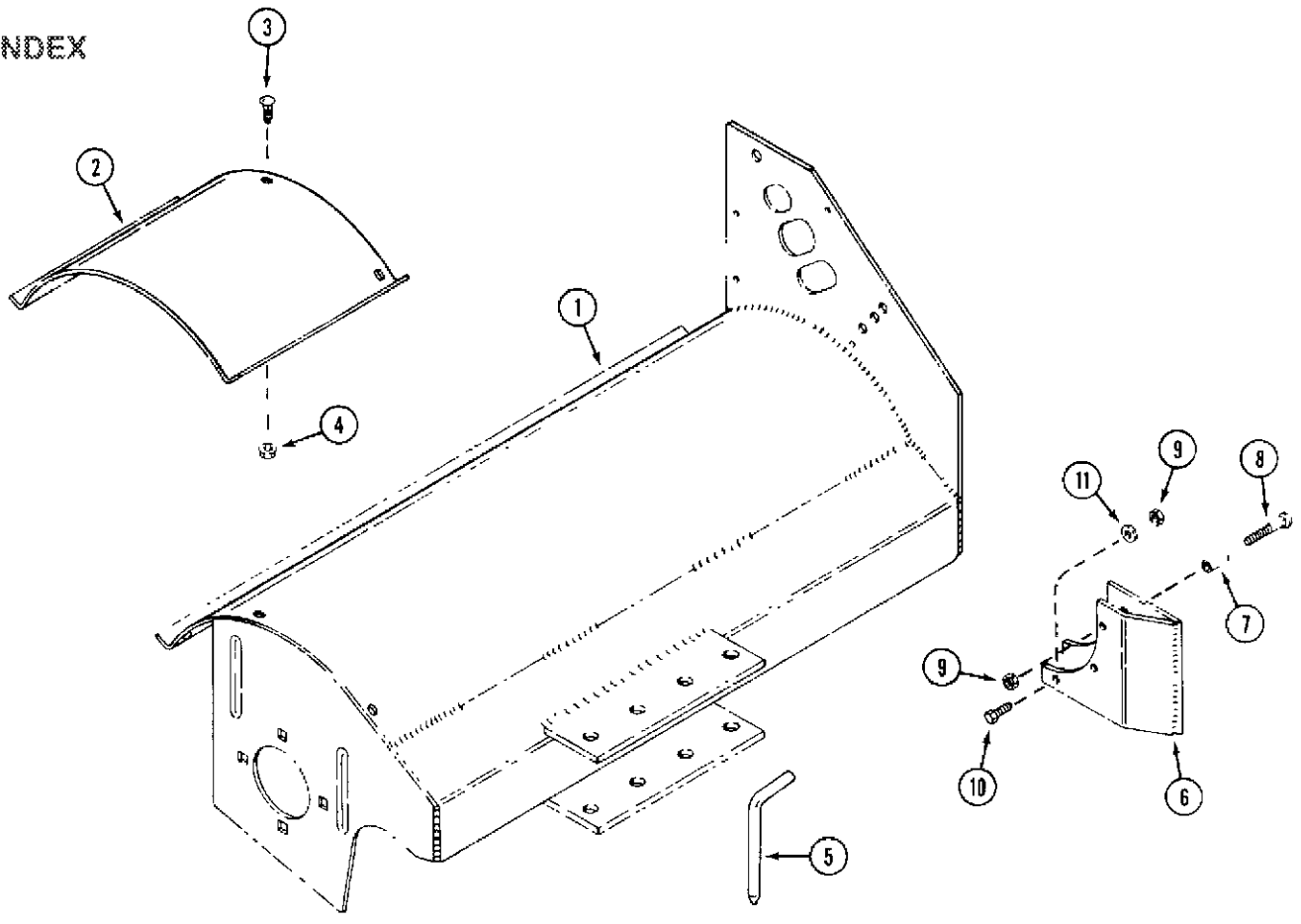
Bearings.....	5
Chain.....	7
Couplers.....	7
Decals.....	9
Extension Shield.....	5
Frame.....	5
Motor.....	7
Shaft, Tine.....	5
Tines.....	5

**ROTARY TILLER**  
**TRACTOR APPLICATION CHART**

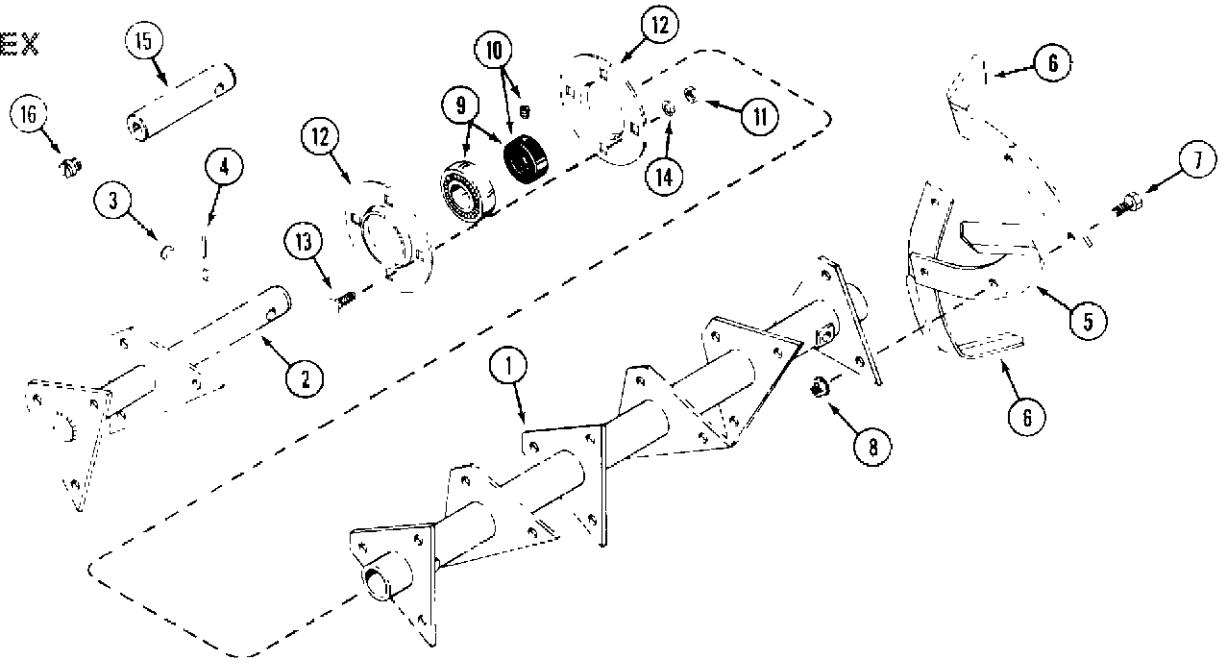
<b>ROTARY TILLER</b>	<b>TRACTOR</b>
HT32, L75	220*, 222*, 3010, 3012
HT41, J74, K74, L74	224, 444, 446, 448, 3014, 3016,3018, 3020, 4014, 4016, 4018, 4020, 644, 646,648,6018
AHT41	3118, 4116, 4118, 4120

\* Requires Hydraulic Lift

INDEX



INDEX



**INDEX**

**J74, K74, 174, 175, HT32 AND HT41 ROTARY TILLER**

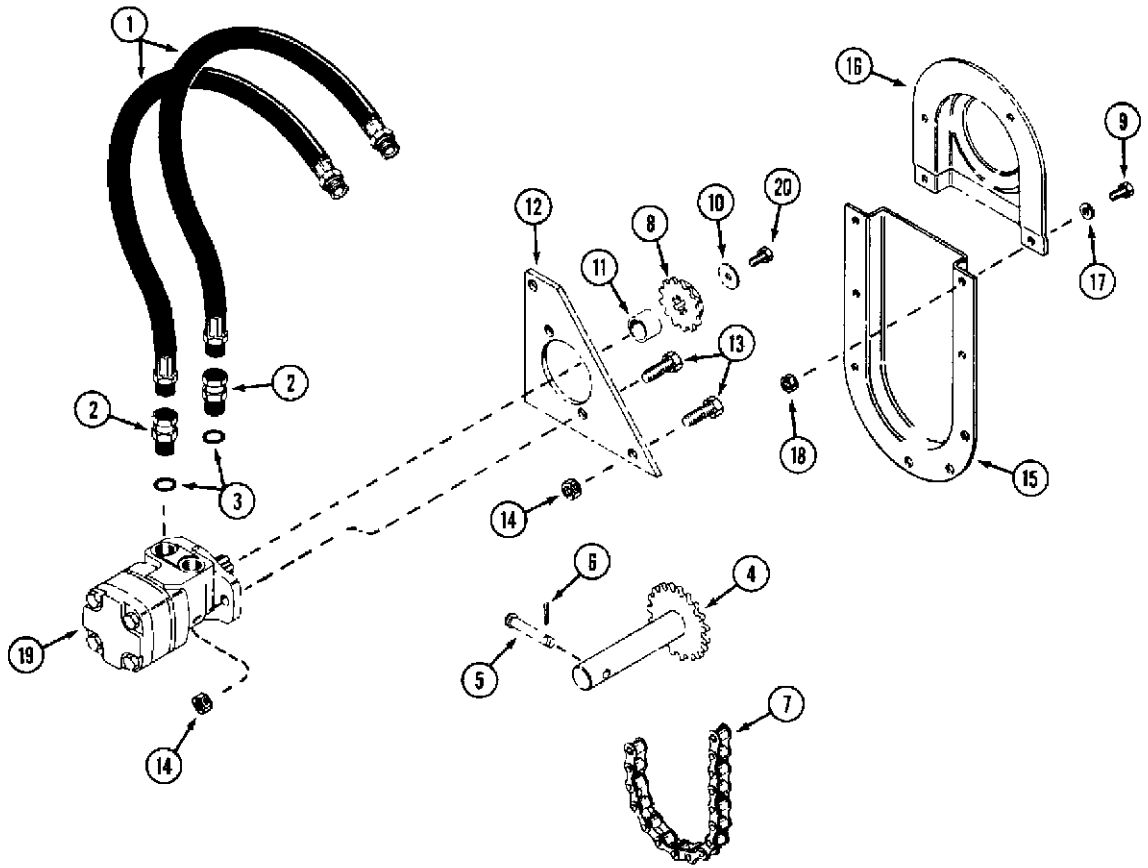
**FRAME**

REF	PART NO.	DESCRIPTION	REQ'D
1	C26290	FRAME - tiller shield.....	1
2	C26299	EXTENSION - tiller shield (J74, K74, L74, HT41, AHT41).....	1
3	111-132	BOLT - 5/16" - 18 x 3/4" carriage .....	3
4	131-911	NUT - lock 5/16" - 18.....	3
5	C14568	PIN - mounting .....	2
6	C26296	PLATE - chisel .....	1
7	C26317	SPACER-plate .....	1
8	111-208	BOLT - 5/16" - 18 x 2-1/4" carriage .....	2
9	131-176	NUT - 5/16" - 18 lock.....	3
10	113-103	BOLT - 5/16" - 18 x 1".....	1
11	195-103	WASHER-5/16" .....	1

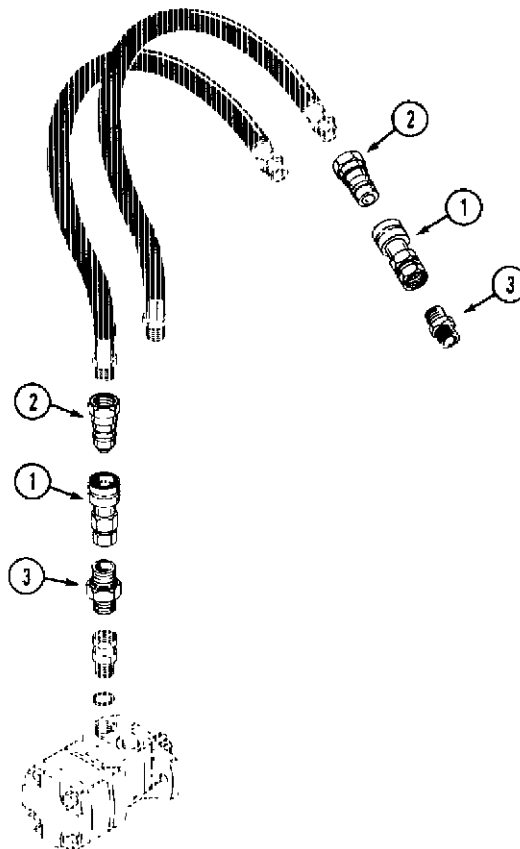
**SHAFT, TINES AND BEARINGS**

1	C26300	SHAFT - tine .....	1
2	C26305	EXTENSION - tine shaft (J74, K74, L74, HT41, AHT41).....	1
3	C26309	PIN - clevis.....	1
4	132-310	PIN-cotter.....	1
5	C13833	TINE-R.H .....	12
6	C13834	TINE-LH.....	12
7	113-208	BOLT - 3/8" - 16 x 1-1/4" .....	24
8	131-1352	NUT - lock 3/8" flange.....	24
9	C29019	BEARING AND LOCKING COLLAR.....	2
10	C28642	COLLAR - locking (includes set screw).....	1
11	129-103	NUT-3/8".....	8
12	C26349	FLANGETTE.....	4
13	111-371	BOLT - 3/8" -16 x 1" carriage .....	8
14	192-21	LOCK WASHER - 3/8".....	8
15	C26343	SHAFT - stub (L75, SS74, HT32).....	1
16	353-550	PLUG - 1/2" - 13 plastic (L75, SS74, HT32).....	1

INDEX



INDEX



**INDEX**

**J74, K74, L74, L75, HT32 AND HT41 ROTARY TILLER**

**TILLER DRIVE**

REF.	PART NO.	DESCRIPTION	REQ'D
1	C42077	HOSE – 1/2" 1.D. x 42".....	UAR
2	218-5251	FITTING - union 7/8" "0" ring x 1/2" NPT .....	2
3	218-5007	"0" RING .....	1
4	C26303	SHAFT - input.....	1
5	C26309	PIN - clevis .....	1
6	132-310	PIN-cotter 1/8" x 1".....	1
7	C26321	CHAIN - drive, No. 50, 56 pitch.....	1
8	C26310	SPROCKET - drive (13T) optional (for hard soil) .....	1
8	C26312	SPROCKET - drive (15T) standard (for average soil) .....	1
9	113-3	BOLT - 1/4" -20 x 3/4".....	7
10	C26344	WASHER - 5/16" 1.0. 1-1/4" 0.0. 7 Ga.....	1
11	C26311	SPACER - sprocket .....	1
12	C26314	MOUNT-motor .....	1
13	113-410	BOLT-1/2"-13x1-1/2"hex.....	4
14	131-1182	NUT-lock 1/2" -13 .....	4
15	C26315	COVER - chain, lower.....	1
16	C26316	COVER - chain, upper.....	1
17	195-518	WASHER - 1/4" .....	7
18	131-1180	NUT - lock 1/4" .....	7
19	C37012	MOTOR – hydraulic, AHT41 .....	1
19	C27903 *	MOTOR – "White", hydraulic drive, use on all except AHT41 .....	1
	C26341	KIT - seal, hydraulic motor (For "White" motor).....	1
19	C46279	MOTOR – "Parker/Ross" hydraulic drive .....	1
	C43746	SEAL – Shaft (for "Parker/Ross" motors)	
20	26-412	BOLT- 1/4" - 20x 1" .....	1
20	113-103	BOLT - 5/16" - 18 x 1" .....	1

\* on L74 before S/N AR1385O and on L75 before S/N AS12881 reduce spacer (11) length by .20" if required for sprocket mounting bolt clearance. Check thread size in shaft.

**HYDRAULIC "QUICK" COUPLERS  
(OPTIONAL EXCEPT FOR AHT41)**

1	C37188	COUPLER - body, female.....	2
2	C37187	COUPLER - nose piece, male .....	2
3	217-1072	FITTING - 1/2" - 14 NPSF (Not used on AHT41) .....	2
3	217-1086	FITTING – 1/2" NPTF 45 <sup>0</sup> (Used on AHT41) .....	2

DECALS



REF.	PART NO.	DESCRIPTION	REQ'D
1	321-6380	DECAL -tread, white .....	5
2	321-6379	DECAL -"Case" .....	1
3	C31087	DECAL -Spinning Blade.....	1
4	C26893	DECAL -trade mark (hytill) (J74) .....	1
5	C31989	DECAL -"Ingersoll" .....	1
6	C31328	DECAL -stripe (cut to length) .....	1
	NSS	DECAL -"Hytill" 41" (not shown) .....	1
	NSS	DECAL -"Hytill" 32" (not shown) .....	1