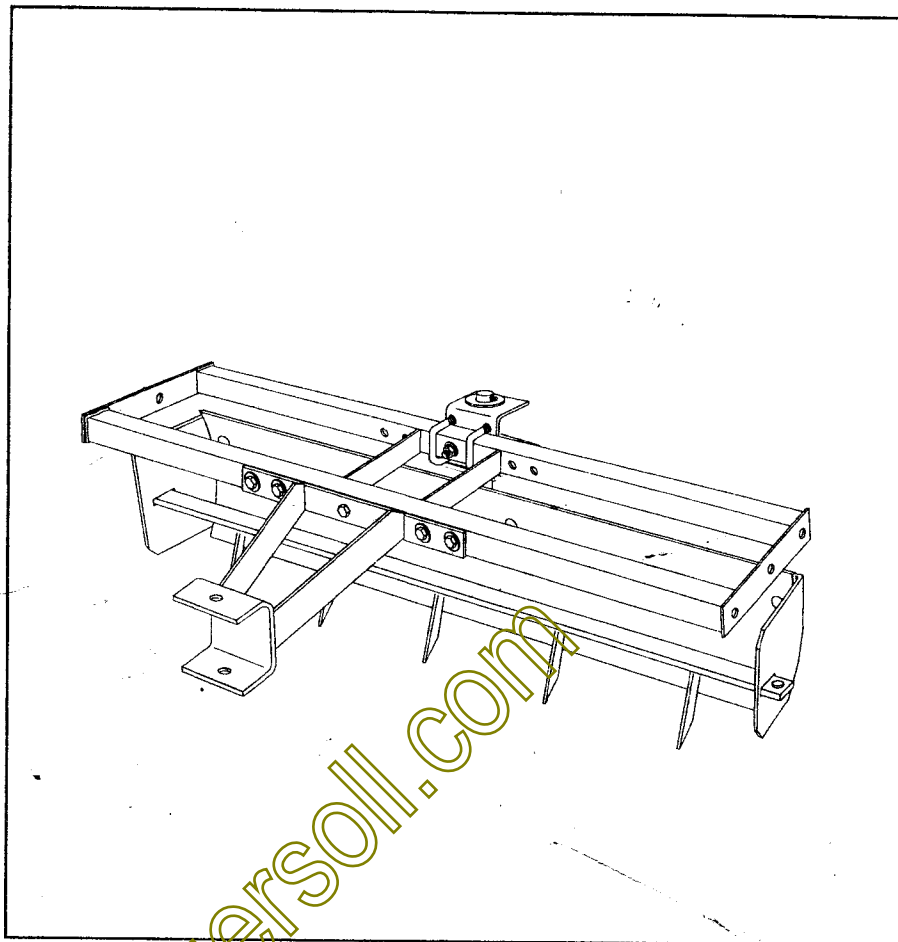


OWNERS MANUAL

**Model No.
45-02651**



BOX SCRAPER/ GRADER BLADE (SLEEVE HITCH)

CAUTION:
Read Rules for
Safe Operation
and Instructions
Carefully

- Assembly
- Operation
- Maintenance
- Parts

REVISED
APRIL

SAFETY RULES

Any power equipment can cause injury if operated improperly or if the user does not understand how to operate the equipment. Exercise caution at all times when using power equipment.

1. Read this owners manual and your vehicle and sleeve hitch owners manuals before using this blade.
2. Do not allow children to operate the vehicle or blade.
3. Do not allow adults to operate the vehicle or blade without proper instructions.
4. Do not allow anyone to ride on the blade.
5. Before lowering and operating the blade, be sure no one is near the area of operation.
6. Lower the blade when leaving vehicle unattended.
7. Vehicle braking and stability may be affected with the attachment of this blade. Drive slowly with blade in transport position. **Stay off of steep slopes.**
8. Stop and inspect for damage after striking an object. Repair any damage before continuing operation.
9. Keep all nuts and bolts tight and be sure the equipment is in safe operating condition.
10. Always lock the tractor lift handle down when installing or removing the blade from sleeve hitch.



Look for this symbol to point out important safety precautions. It means--**Attention!!** Become alert!! Your safety is involved.

ASSEMBLY

TOOLS REQUIRED FOR ASSEMBLY

- (1) 1/2" Wrench
- (2) 9/16" Wrenches
- (1) Pliers

Refer to illustration on page 3 and full size hardware chart on back page.

1. Assemble both end plates to the blade using four 5/16" x 1" carriage bolts, 5/16" lock washers and 5/16" hex nuts. **Do not tighten yet.**
2. Assemble the scarifier bar through the slots in the end plates. Secure the bar with two 3/8" x 3/4" clevis pins and two 3/32" hairpin cotters (small). **Tighten** the four bolts which **fasten** the end plates to the blade.
3. Assemble the pivot reinforcement bracket assembly to the blade using four 3/8" x 1" carriage bolts, 3/8" lock washers and 3/8" hex nuts. **Tighten.**
4. Attach the hitch assembly to the frame using five 3/8" x 2-1/2" hex bolts, ten 3/8" flat washers, five 3/8" lock washers and five 3/8" hex nuts. **Tighten.**
5. Hold the clevis bracket so that the aligning hole is at the bottom. Insert a 3/8" x 2-1/2" hex bolt through the center hole in the clevis bracket and then through the center hole in the rear of the frame. Secure with a 3/8" flat washer, 3/8" lock washer and 3/8" hex nut. **Do not tighten yet.**
6. Assemble two U-bolts around the frame tube and through the clevis bracket. Assemble four 3/8" lock washers and 3/8" hex nuts onto the U-bolts. Align the clevis bracket so that it is straight with the frame and **tighten** the U-bolts and the center hex bolt.

7. Assemble the frame to the blade by fitting the clevis bracket down onto the pivot rod. Place the special washer onto the pivot rod, then assemble the 3/16" x 2" cotter pin through the pivot rod.
8. Place the pivot lock pin down through the holes in the clevis bracket and pivot plate. Secure the pivot lock pin with the 1/8" hairpin cotter.

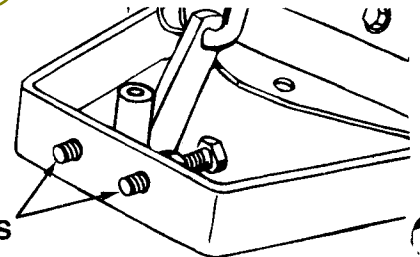
ATTACHING BLADE TO TRACTOR



CAUTION: Lock tractor lift handle in down position when attaching or removing blade from sleeve hitch.

Refer to your sleeve hitch owners manual.

1. Attach the blade to the sleeve hitch on your tractor using the sleeve hitch pin.
2. Tighten the two stabilizer bolts and jam nuts to eliminate looseness in the hook-up.
3. Adjust the sleeve hitch so that the blade is free to go below ground level but can still be raised a minimum of 5" above ground for transport.
4. The stabilizer bolts and jam nuts should be loosened before removing the blade from the sleeve hitch.



STABILIZER BOLTS

TRACTOR SLEEVE HITCH

OPERATION

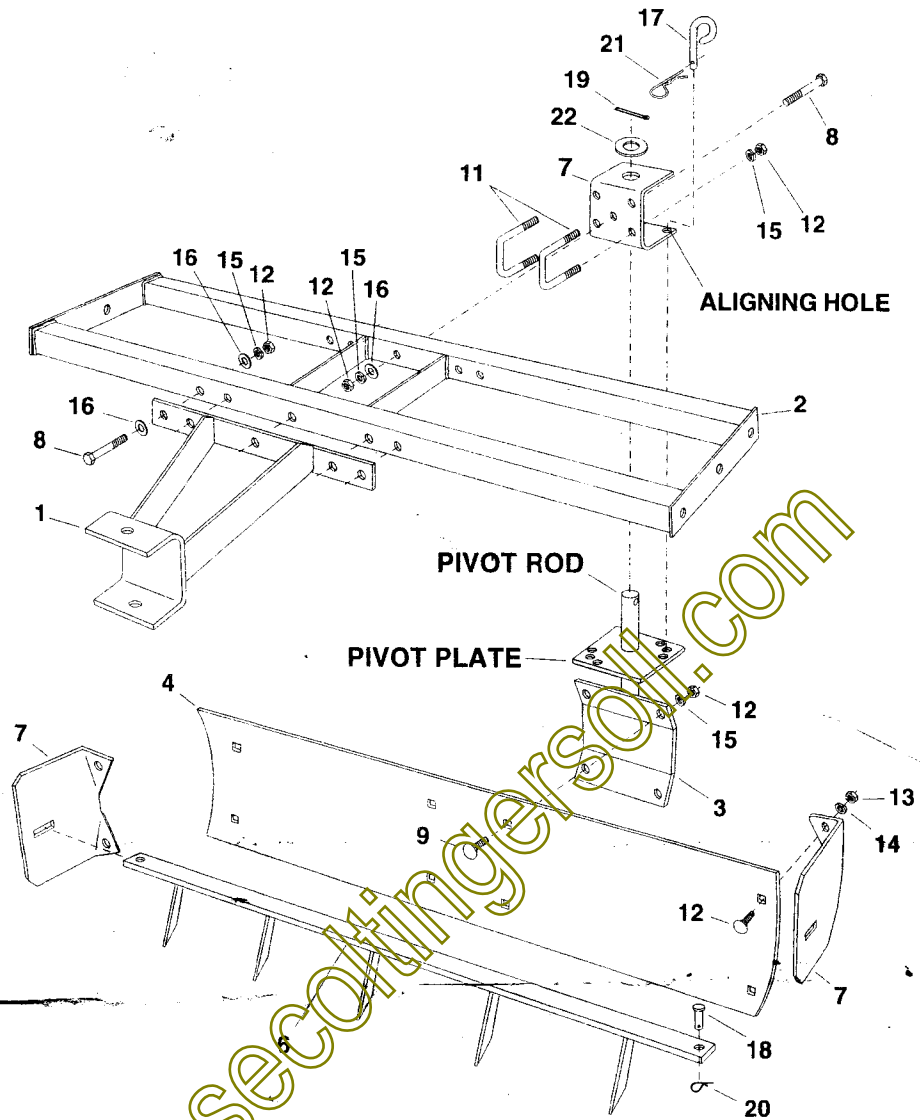
The box scraper/grader blade may be used for **scraping** and leveling of gravel and loose or lightly compacted dirt, for back filling and for snow removal. For improved traction use wheel weights and/or tire chains.

1. To pivot the blade, raise the sleeve hitch so that the blade is off the ground. Remove the pivot lock pin to rotate the blade to one of six settings.
2. For back filling or removing snow, the blade position may be reversed 180 degrees and the scarifier bar and the box ends removed from the blade. Do not back blade into piles of snow or dirt at high speed.
3. Do not remove the scarifier bar if the box ends are to remain attached to the blade. To place the scarifier in a non-working position, turn it upside down and re-attach to the box ends with the clevis pins.
4. Drive the tractor at a speed which fits conditions and the type of work being performed. When leveling with the blade, a slower speed will allow loose material to be more evenly deposited in low spots.

MAINTENANCE/STORAGE

1. Check for loose bolts after each use.
2. Rotate the blade top to bottom when wear along bottom edge has become substantial.
3. Remove all dirt and rust and touch up with paint before storing.
4. Store inside a dry area.

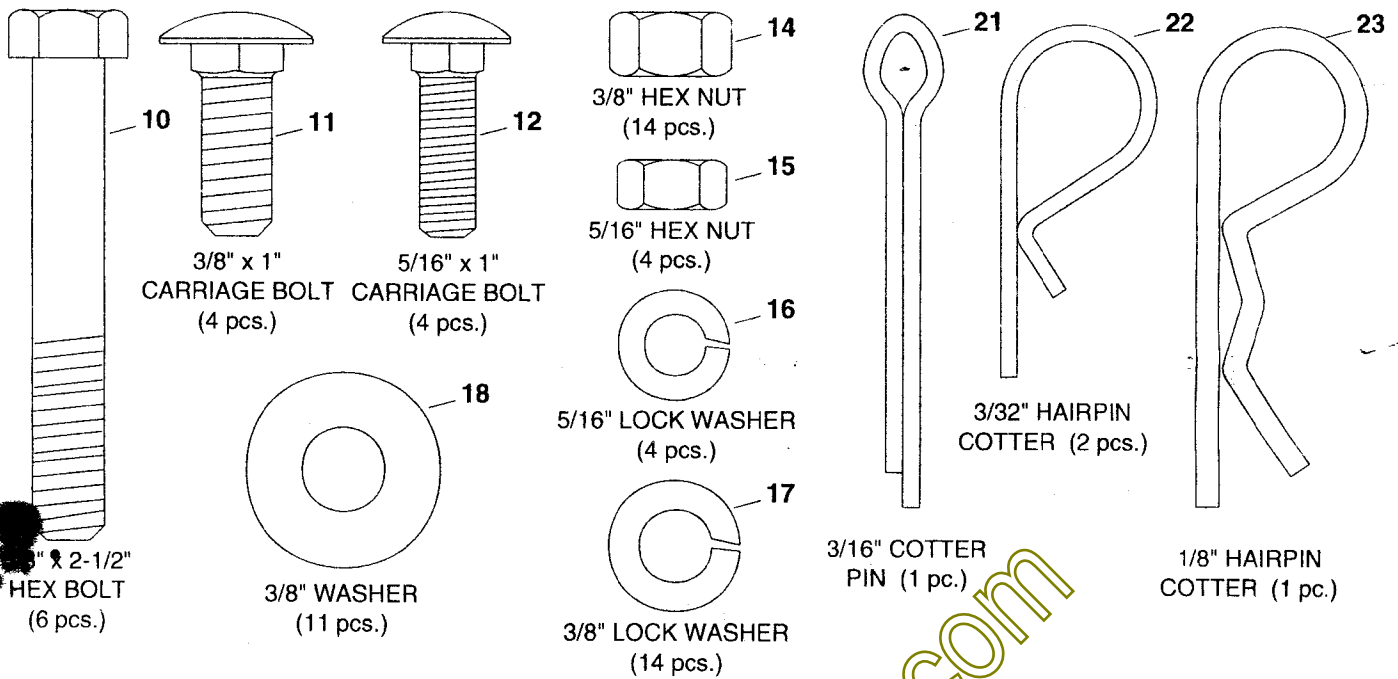
REPAIR PARTS FOR MODEL 45-02651 - BOX SCRAPER/GRADER BLADE



PARTS LIST FOR MODEL 45-02651 - BOX SCRAPER/GRADER BLADE

REF. NO.	PART NO.	QTY.	DESCRIPTION	REF. NO.	PART NO.	QTY.	DESCRIPTION
1	63656	1	Hitch Assembly	12	43015	14	Hex Nut, 3/8-16 Thread
2	64279	1	Frame Assembly	13	43083	4	Hex Nut, 5/16-18 Thread
3	63506	1	Pivot Reinforcement Bracket Assembly	14	43086	4	Lock Washer, 5/16"
4	24233	1	Blade	15	43003	14	Lock Washer, 3/8"
5	24231	1	Clevis Bracket	16	43070	11	Washer, 3/8" Std. Wrt.
6	63507	1	Scarifier Assembly	17	43038	1	Pivot Lock Pin
7	24237	2	Box End Plate	18	44044	2	Clevis Pin, 3/8" x 3/4" Lg.
8	43432	6	Hex Bolt, 3/8-16 x 2-1/2" Lg.	19	46855	1	Cotter Pin, 3/16" x 2" Lg.
9	43350	4	Carriage Bolt, 3/8-16 x 1" Lg.	20	43055	2	Hairpin Cotter, 3/32" #3
10	44326	4	Carriage Bolt, 5/16-18 x 1" Lg.	21	43343	1	Hairpin Cotter, 1/8" #4
11	46853	2	U-Bolt, 3/8-16	22	23336	1	Washer, Special
					48286	1	Owners Manual

FULL SIZE HARDWARE CHART



AGRI-FAB® LIMITED WARRANTY

WHO IS COVERED: This Warranty covers only the original retail purchaser of an AGRI-FAB® product or part. It is not transferable.

HOW LONG DOES COVERAGE LAST: This Warranty remains in force for 1 year from the date of purchase.

WHAT IS COVERED: Any defect in material or workmanship of your AGRI-FAB® product or part.

WHAT IS NOT COVERED:

1. This warranty does not apply to the engine or components parts thereof. Please refer to the applicable manufacturer's warranty on these items
2. Transportation charges for the movement of any power equipment unit or attachment are the responsibility of the purchaser. Transportation charges for any parts submitted for replacement under this warranty must be paid by the purchaser unless such return is requested by AGRI-FAB®.
3. This Warranty applies only to products, which have been properly assembled, adjusted, operated, and maintained in accordance with the instructions furnished. This Warranty does not apply to any product, which has been subjected to alteration, misuse, abuse, improper assembly or installation, delivery damage, or to normal wear of the product.
4. Exclusions: Excluded from this Warranty are belts, blades, blade adapters, normal wear, normal adjustments, standard hardware and normal maintenance.
5. AGRI-FAB® does not extend any warranty for products sold or exported outside of the United States of America, its possessions and territories, except those sold through AGRI-FAB's authorized channels of export distribution.

WHAT AGRI-FAB® WILL DO: Repair or replace your AGRI-FAB® product or part.

HOW TO GET SERVICE: Deliver the AGRI-FAB® product or part to AGRI-FAB's local authorized service dealer or distributor. If you do not know the dealer or distributor in your area, please write to the Customer Service Department of AGRI-FAB, Inc. at P.O. BOX 903, SULLIVAN, ILLINOIS 61951. The return of a product or part to AGRI-FAB® will not be accepted unless prior written permission has been extended by AGRI-FAB®.

THE DURATION OF ANY IMPLIED WARRANTY OF MERCHANTABILITY IS LIMITED TO THE DURATION OF THE ABOVE EXPRESS WARRANTY. THE REMEDIES PROVIDED IN THIS LIMITED WARRANTY ARE THE CUSTOMER'S SOLE AND EXCLUSIVE REMEDIES. EXCEPT FOR THE OBLIGATIONS SPECIFICALLY SET FORTH IN THIS LIMITED WARRANTY, IN NO EVENT SHALL AGRI-FAB® BE LIABLE FOR INCIDENTAL OR CONSEQUENTIAL DAMAGES, WHETHER BASED ON CONTRACT, TORT, OR ANY OTHER LEGAL THEORY. Some states do not allow limitations on how long an implied warranty lasts, or the exclusion or limitation of incidental or consequential damages, so the above limitations may not apply to you.

This Warranty gives you specific legal rights, and you may also have other rights, which vary from state to state.

Agri-Fab, Inc., 303 West Raymond St., Sullivan, Illinois 61951 - (217) 728-8388 - www.Agri-Fab.com

REPAIR PARTS
303 West Raymond
Sullivan, IL. 61951
217-728-8388
www.agri-fab.com