

Ingersoll

ROTARY MOWER

N40, N44, N46

M40, M44, M46

L40, L44, L46

K40, K44, K46


Operator's Manual 9-51563

casecoltingersoll.com



Ingersoll . . . *the new name to say for Case garden tractors.*

Ingersoll Equipment Co., Inc. Winneconne, Wisconsin 54986-9576



This Safety Alert Symbol Indicates Important Safety Messages In This Manual. When You See This Symbol Carefully Read The Message That Follows and Be Alert To The Possibility Of Personal Injury Or Death

IF THIS MACHINE IS USED BY AN EMPLOYEE OR IS LOANED OR RENTED, MAKE ABSOLUTELY CERTAIN THAT THE OPERATOR(S), PRIOR TO OPERATING:

1. IS INSTRUCTED IN SAFE AND PROPER USE.
2. REVIEWS AND UNDERSTANDS THE MANUAL(S) PERTAINING TO THE MACHINE.

751253




WARNING

BEFORE STARTING ENGINE


STUDY OPERATOR'S MANUAL SAFETY MESSAGES
 READ ALL SAFETY SIGNS ON MACHINE
 CLEAR THE AREA OF OTHER PERSONS

LEARN & PRACTICE SAFE USE OF CONTROLS BEFORE OPERATING


IT IS YOUR RESPONSIBILITY TO UNDERSTAND AND FOLLOW MANUFACTURER'S INSTRUCTIONS ON MACHINE OPERATION, SERVICE, AND TO OBSERVE PERTINENT LAWS AND REGULATIONS. OPERATOR AND SERVICE MANUALS MAY BE OBTAINED FROM YOUR EQUIPMENT DEALER.




The safety messages contained in this manual are to be used together with the safety messages appearing in the tractor operators manual. Be sure to review both carefully before operating the tractor-mower combination.




Regard your rotary mower as a piece of power equipment and be sure this manual is read and understood by all who operate it.




CAUTION: Fill gas tank out of doors and avoid spilling gasoline. Do not fill tank with gasoline while smoking or while engine is running.




Maintain your tractor and rotary mower in top operating condition.




CAUTION: Never allow children or young teenagers to operate the tractor and rotary mower.




CAUTION: Clear the lawn or area to be mowed of sticks, stones or any hard objects which could come in contact with the blades and be hurled out the discharge opening.




WARNING: Be sure that the attachment drive clutch is off, the engine is shut off, the key removed and the blades have stopped spinning before attempting to clean a plugged discharge chute.




CAUTION: Do not permit children or pets in the area while mowing and never direct the mower discharge at buildings, people, pets, windows or cars.




CAUTION: Unbalanced blades are a hazard and will cause premature wear and failure of bearings and spindles. If the blades cannot be balanced by sharpening, replace them with new ones.





WARNING: Keep feet and hands away from discharge opening and make no repairs unless both the tractor engine and attachment drive are shut off and the key is removed from the tractor.





CAUTION: Never get on or off the tractor while the mower is running.


 **CAUTION:** Give complete and undivided attention to the job at hand.


 **CAUTION:** Stop engine, disengage attachment drive, set parking brake and remove key when tractor is unattended.


 **CAUTION:** Do not allow anyone other than the operator to ride on the tractor.


 **CAUTION:** Stop and inspect the mower for damage immediately after striking a foreign object and repair damage before restarting and operating the machine.


 **DANGER:** Spinning Blade. Keep clear. Contact can injure.


 **CAUTION:** Sharp mower blades. Wear gloves or wrap the mower blade with a rag when handling blades. Improper handling can cause cuts to the skin.


 **CAUTION:** Disengage attachment drive lever, stop engine and remove key and spark plug wire(s) before making adjustments.

 **CAUTION:** Shut off engine, allow engine to cool and remove key and spark plug wire(s) before replacing mower drive belt.


 **CAUTION:** Disengage attachment drive clutch when someone approaches or whenever the mower is being transported.

 **CAUTION:** Be sure you know how to stop the tractor and mower at a moments notice.

 **WARNING:** Improper operation of your tractor on hillsides and slopes can be dangerous. Avoid improper operation! Read and follow the instructions given in the section titled "Hillside Operation" in this manual before operating your tractor.

 **WARNING: Flying Debris.** Operate mower only with discharge chute guard/cover or complete grass catcher in place. Debris may cause injury.

IMPORTANT: Always install new decals whenever the old decals are destroyed, lost, painted over or illegible. When individual parts are replaced that have decals attached, be sure to install a new decal with the new part. Replacement decals are available from your Dealer.

 **WARNING:** Improper operation of your tractor on hillsides and slopes can be dangerous. Avoid improper operation! Read and follow the instructions given in the section titled "Hillside Operation" in this manual before operating your tractor.

Avoid operating tractor on hillsides and slopes. To minimize the possibility of accidents while operating on hills and/or rough terrain, obey a combination of rules, practices and good common sense.

These include:

1. Reading, understanding, and obeying all written safety messages appearing on decals on the machine and in operator's manuals.
2. Learning from your operator's manual and carefully from EXPERIENCE how to operate your tractor correctly. Know your tractor's limitations.
3. Knowing the terrain on which you are operating your tractor. There are terrain conditions on which your tractor cannot be operated!
4. Learning to expect changes in operating conditions. Adding or removing attachments or weight to your tractor will make your tractor perform differently. Rain, snow, loose gravel, wet grass, etc., change the tractive conditions of the terrain requiring changes in your operating technique or not to operate on that terrain.

The following paragraphs will cover these practices one at a time. Read and study them. The examples provided are not all inclusive but will give you a firm understanding of the requirements for avoiding accidents while operating your tractor.

Case lawn and garden tractors are designed and built to comply with the Voluntary Standard ANSI B71.1 1980 (American National Standards Institute).

THE OPERATOR IS THE SOLE JUDGE AS TO THE DEGREE OF SLOPE ON WHICH THIS TRACTOR CAN BE SAFELY OPERATED. IF IN DOUBT THAT THIS TRACTOR CAN BE SAFELY OPERATED ON A PARTICULAR SLOPE, DO NOT OPERATE ON THAT SLOPE! COMMON SENSE MUST PREVAIL.

Read, Understand, Obey:

Safety messages are found on the tractor and in the operator's manuals. These must be understood by the tractor operator to be of value. Be sure that these messages are studied before starting and/or operating the tractor by an operator not familiar with this particular tractor.

Learn to Operate:

Learn your tractors controls from decals on the tractor and from instructions in the operator's manual. Practice how to properly manipulate these controls. Practice must be done in a flat area, clear of obstacles and bystanders. Learn your tractors operating characteristics and limitations. These include:

- a. amount of engine power available
- b. engine governor response
- c. tractive ability
- d. steering characteristics
- e. braking characteristics
- f. movement of travel lever
- g. forward and reverse ground speeds
- h. speed of attachment lift
- i. and others

Attempting any operation which approaches or exceeds the tractor's limitation is risking an accident.

Know the Terrain:

Know the terrain on which you are working. Find hidden obstacles by walking through and inspecting the area prior to operating your tractor on it. Mark obstacles, such as, rocks, ruts or holes with a 6 ft. long pole and red flag and stay well clear of these obstacles when operating.

Operate your tractor at a ground speed slow enough to insure complete control at all times.

Place the transmission in low range and regulate the travel control lever slowly and smoothly to maintain this safe speed.

Always drive in a forward direction when proceeding downhill. Never drive up a hill. If necessary, back up a hill to the desired position. Always back up loading ramps and tilt bed trailers. If necessary to turn while on a hill, always turn downward.

Your judgement, based on operating experience is the final word in deciding if you should negotiate any given hill or slope. If you are in doubt about safety - **STAY OFF THE SLOPE.**

Under no circumstances should an inexperienced operator attempt to use your tractor on slopes or hillsides.

You may encounter some terrain on which your tractor cannot be operated even if a different piece of equipment has operated there in the past.

Learn to Compensate for Changes in Operating Conditions:

Adding or removing attachments or ballast (such as wheel weights or fluid) change the weight and weight distribution of your tractor and, therefore, change your tractor's operating characteristics.

Be alert to these changes. Practice operating the tractor after each change has been made.

Adding an attachment (weight) to the rear of the tractor reduces the weight on the front axle. Adding an attachment (weight) to the front of the tractor reduces weight on the rear of the tractor. You must add counterweight to the front if a rear mounted attachment is installed.

You must add counterweight to the rear if a front mounted attachment is installed.

Tractive conditions will vary with weather and terrain and equipment.

Areas wet with dew, rain or snow will be more slippery than when dry. Areas covered with loose gravel are more slippery than firm dry ground. Greater stopping distances are required in these slippery areas.

Spinning rear wheels tend to move the tractor sideways. The addition of tire chains will provide more traction to the rear wheels in the forward-reverse direction but less stability in the sideways direction. Chains will cause more abrupt starting and stopping.

The final word in safe tractor operation rests on your judgement.

If in doubt of your safety - **STAY OFF THE SLOPE.**

INTRODUCTION

This operator's manual is for the Model K40, K44, K46, L40, L44, L46, M40, M44, M46, N40, N44 and N46 rotary mower. This operator's manual includes:

- a. Safety Rules
- b. Installation Procedure
- c. Operating Procedure
- d. Adjustments
- e. Maintenance

Read this manual before operating your rotary mower.

See your authorized dealer for parts or repairs.

The words "Right, Left, Front and Rear" as used in this manual indicate directions when you are in the operator's seat in the normal operating position.

ATTACHMENT APPLICATION CHART		
MODEL	SIZE	TRACTOR MODEL (Beginning with P.I.N. 9646800)
K40, L40, M40 & N40	38" (965 mm)	210, 220, 222, 442
K44, L44, M44 & N44	44" (1115 mm)	222, 224, 226, 442, 444, 446, 448, 644, 646, 648
K46, L46, M46 & N46	48" (1220 mm)	224, 226, 444, 446, 448, 644, 646, 648

BELT APPLICATION CHART *	
TRACTOR MODEL	BELT PART NUMBER
210 All	C23358
220 Before P.I.N. 9656747	C23807
220 P.I.N. 9656747 and after	C23358
222 Before P.I.N. 9658189	C23807
222 P.I.N. 9658189 and after	C23358
224 All	C23358
226 All	C23358
442 All	C23809
444 Before P.I.N. 9661261	C23809
444 P.I.N. 9661261 and after	C23359
446, 448 All	C23359
644 Before P.I.N. 9698343	C23807
644 P.I.N. 9698343 and after	C23810
646, 648 All	C23808

* Belts included with your tractor.

A70

SPECIAL INFORMATION	
TRACTOR MODEL	
ALL	Lift links included with tractor.

INSTALLATION ON TRACTORS BEFORE PRODUCT IDENTIFICATION NUMBER 9646800	
TRACTOR MODEL	USE KIT
220, 222	H-38
442, 444	H-39

NOTE: Part numbers can change. See your dealer.

OPERATING CONTROLS

ATTACHMENT CLUTCH LEVER

The rotary mower is started and stopped with the attachment clutch lever.

See your tractor operator's manual for correct use of your tractor controls.

ATTACHMENT LIFT LEVER

The rotary mower is raised and lowered with the attachment lift lever.

HYDRAULIC LIFT

When mowing, put the attachment lift lever in the "LOWER" position until the lift arms are midway in the lift link slots.

See your tractor operator's manual for correct use of your tractor controls.

HEIGHT SELECTOR LEVER

The cutting height is controlled by the height selector lever.

TO INCREASE THE CUTTING HEIGHT: Disengage the pin and pull the height selector lever up.

TO DECREASE THE CUTTING HEIGHT: Disengage the pin and push the height selector lever down.

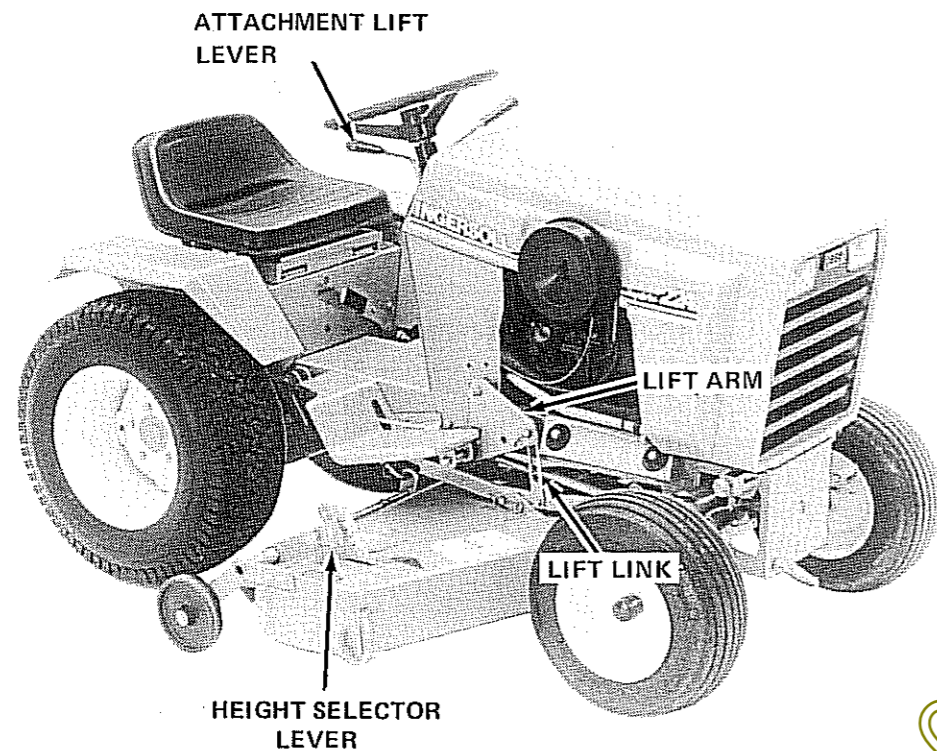
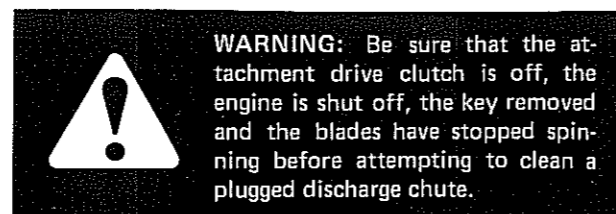


FIGURE 1
OPERATION

1. See the "ADJUSTMENTS" and "MAINTENANCE" sections of this manual before operating your rotary mower.
2. See your tractor operator's manual for correct use of your tractor controls.
3. Learn to operate the tractor and rotary mower in an area clear of persons and obstructions.
4. Check the work area for obstructions. Remove the small obstructions. Mark the large obstructions so you can see them. Do not hit the large obstructions.

5. Get on and get off the tractor correctly. Never use the lawn mower frame for a step.



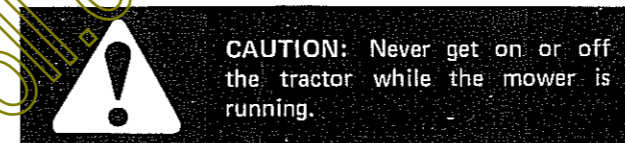
TO GET ON THE TRACTOR FROM THE RIGHT SIDE:

- a. put your right foot on the right foot rest
- b. put your right hand on the steering wheel
- c. put your left hand on the seat back
- d. swing your left leg between the steering wheel and seat

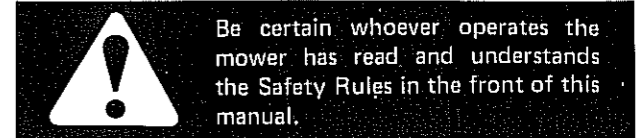
TO GET ON THE TRACTOR FROM THE LEFT SIDE:

- a. put your left foot on the left foot rest
- b. put your left hand on the steering wheel
- c. put your right hand on the seat back
- d. swing your right leg between the steering wheel and seat

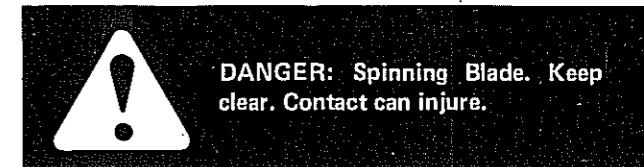
Use the reverse procedure to get off the tractor.



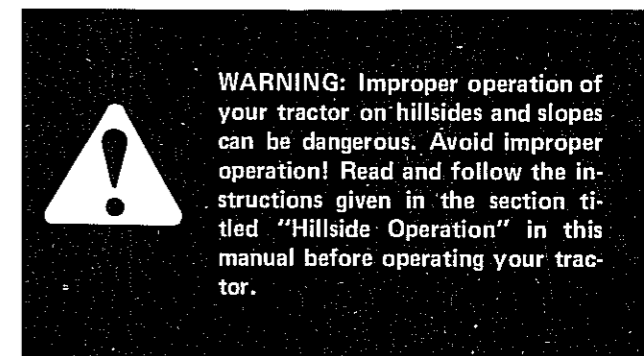
6. Start the rotary mower by smoothly engaging the attachment clutch lever.



7. Lower the lawnmower to the cutting position. Make sure the lift arms are located in the center of the slots in the lift links. This permits free movement of the lawnmower.



On tractors with hydraulic lift, do not put the attachment lift lever in the "FLOAT" position.



MOWING CONDITIONS

Mowing conditions can be different. You must use the correct operating methods according to the following chart:

CONDITION

1. Short or thin grass.

METHOD

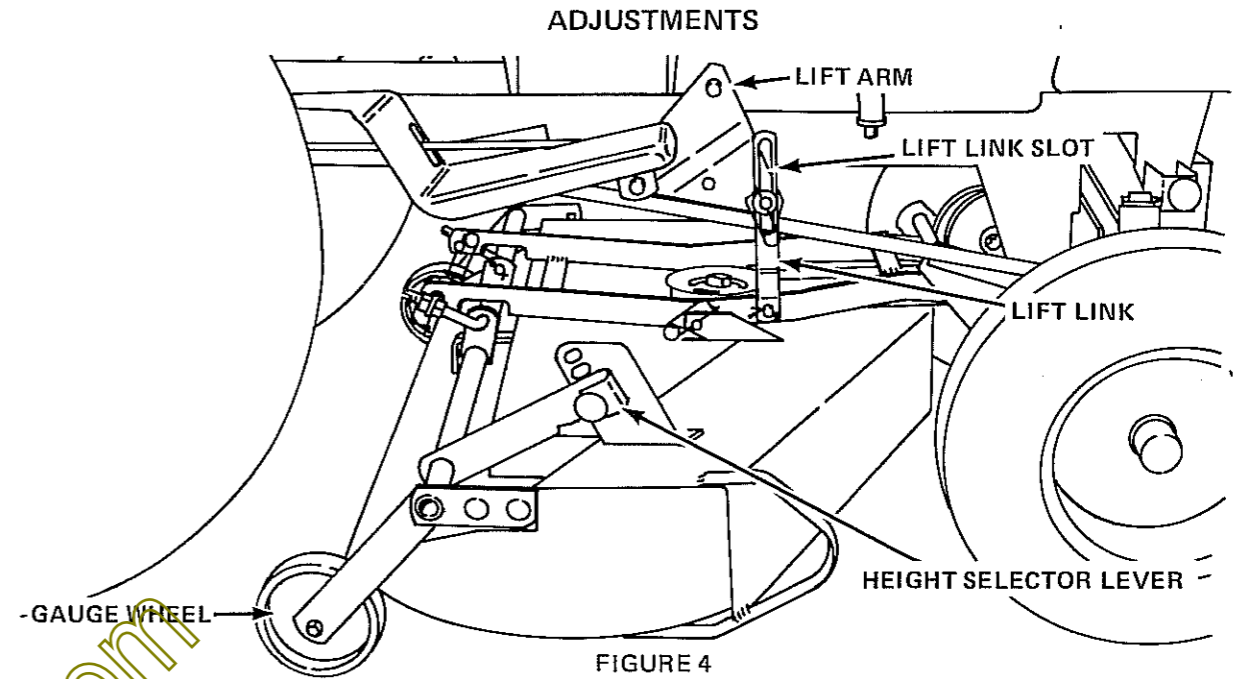
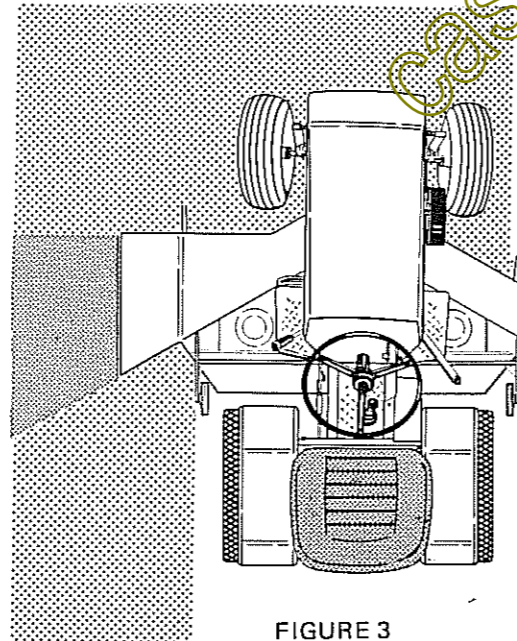
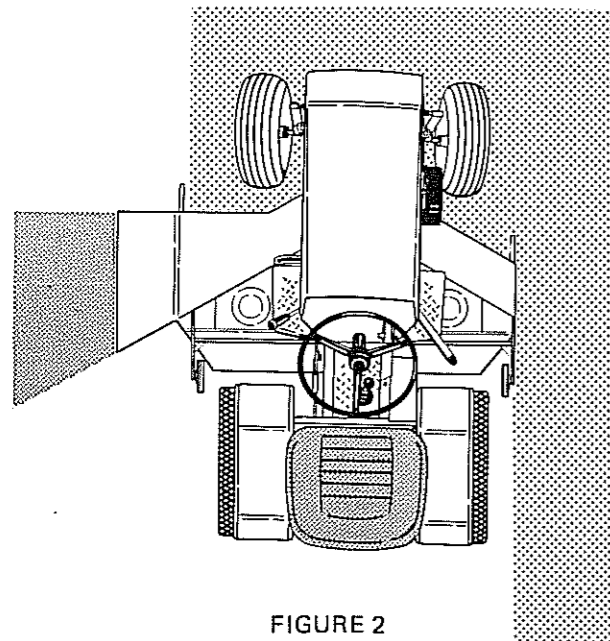
1. a. move the height selector lever to the cutting height needed.
- b. move the throttle lever to a position between 3/4 and full throttle.
- c. adjust ground speed as needed.
- d. you may decrease engine speed or put the range selector in the "HIGH" position if this doesn't cause an overload to the engine. The engine will become too hot and the rotary mower will not work correctly if the engine is operated with an overload.

CONDITION

2. Long or thick grass.
3. Wet grass.
4. Rough terrain.
5. Cutting near objects.
6. When grass will not be swept.
7. When grass will be swept.
8. Wind.

METHOD

2. a. move the height selector lever to the highest position.
- b. increase engine speed to the "FULL THROTTLE" position.
- c. reduce ground speed.
- d. cut long or thick grass twice.
- e. operate with the chute facing the cut area.
3. a. do not cut wet grass.
4. a. raise the mower into the transport position.
- b. put the gauge wheels in the "M" position.
- c. operate the mower in the transport position to keep the gauge wheels off the ground.
- d. reduce ground speed.
5. a. use the right side of the rotary mower.
The cut material will be moved away from the object.
6. a. operate with chute facing the cut area.
7. a. operate with chute facing the uncut area.
b. the grass will be in one strip and can be removed with a sweeper.
8. turn the tractor so the wind will move grass away from you.



CAUTION: Disengage attachment drive lever, stop engine and remove key and spark plug wire(s) before making adjustments.

HEIGHT SELECTOR LEVER

You can adjust the lawnmower height with the height selector lever.

TO CHANGE THE CUTTING HEIGHT:

1. Raise the lawnmower into the transport position. This will decrease the weight on the height selector lever.
2. Pull outward on the pin.
3. Move the lever up or down to the needed height.
4. Push the pin into the hole selected.

GAUGE WHEELS

SMOOTH TERRAIN

1. Always operate the rotary mower with the gauge wheels on the ground. Make sure all weight is off the lift links for the rotary mower. The lift links must move freely to cut level and even.
2. The gauge wheels must not contact the ground while the lawnmower is in the transport position.

ROUGH TERRAIN

1. Operate the rotary mower in the transport position and with the height selector lever in the "M" position. This will keep the gauge wheels from contacting the ground.

2. Reduce ground speed.

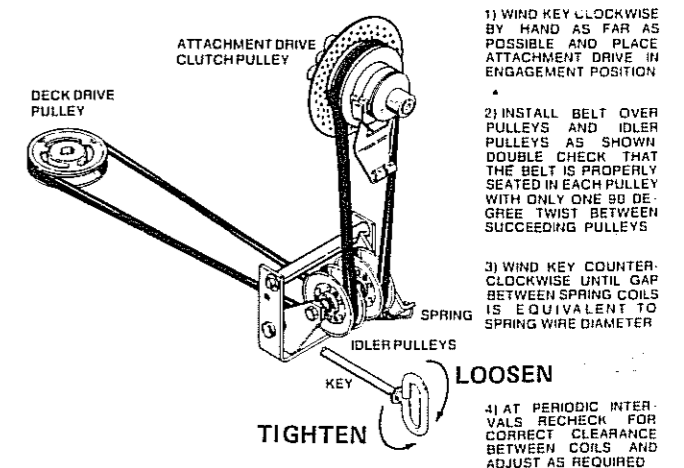
DRIVE BELT TENSION

The belt tension is correct when the gap between spring coils is equivalent to one wire diameter.

TO INCREASE BELT TENSION: Turn the adjusting handle counterclockwise.

TO DECREASE BELT TENSION: Turn the adjusting handle clockwise.

IMPORTANT: Check the belt tension after the first hour of use. Adjust the belt tension if necessary. Before each use, check the belt tension and adjust if necessary.



- 1) WIND KEY CLOCKWISE BY HAND AS FAR AS POSSIBLE AND PLACE ATTACHMENT DRIVE IN ENGAGEMENT POSITION
- 2) INSTALL BELT OVER PULLEYS AND IDLER PULLEYS AS SHOWN. DOUBLE CHECK THAT THE BELT IS PROPERLY SEATED IN EACH PULLEY WITH ONLY ONE 90 DEGREE TWIST BETWEEN SUCCEEDING PULLEYS
- 3) WIND KEY COUNTERCLOCKWISE UNTIL GAP BETWEEN SPRING COILS IS EQUIVALENT TO SPRING WIRE DIAMETER
- 4) AT PERIODIC INTERVALS RECHECK FOR CORRECT CLEARANCE BETWEEN COILS AND ADJUST AS REQUIRED

LAWNMOWER FRONT TO REAR LEVEL

Smooth cutting and minimum horsepower consumption are a result of a level rotary mower.

BEFORE STARTING THE PROCEDURE:

1. Put the tractor and rotary mower on a level surface, like a concrete floor.
2. Put the height selector lever in the "M" position.
3. Lower the lawnmower to the cutting position.

TO RAISE THE FRONT OF THE LAWMOWER:

1. Loosen the rear nuts that hold the leveler links.
2. Turn the two front nuts rearward an equal number of turns.

TO LOWER THE FRONT OF THE LAWMOWER:

1. Loosen the front nuts that hold the leveler links.
2. Turn the two rear nuts forward an equal number of turns.

TO CHECK FOR LEVEL:

1. Rotate the blades until they are parallel to the tractor frame from front to rear.
2. Make sure the nuts on the leveler links are tight.

3. Measure the distance from the blade ends to the level surface. Make sure you measure as near the blade end as possible.

The lawn mower is level when both front and rear blade measurements are the same. The front end may be $1/8"$ (3 mm) lower than the rear end. Never permit the rear end to be lower than the front end. This will cause more than normal power consumption.

LAWN MOWER SIDE TO SIDE LEVEL

Make sure the problem is not the air pressure in the tires. The air pressure in both tires must be correct and equal.

Lawn mower side to side level is adjusted at the factory. If additional adjustment is necessary:

1. make sure the lawn mower is level "front to rear"
2. move the tractor and lawn mower to a level surface
3. move the height selector lever to the "M" position
4. lower the lawn mower to the cutting position
5. loosen the two bolts that fasten the gauge wheel carrier to the lawn mower
6. raise or lower the carrier as required. Make the holes larger if additional adjustment is needed.
7. tighten the bolts

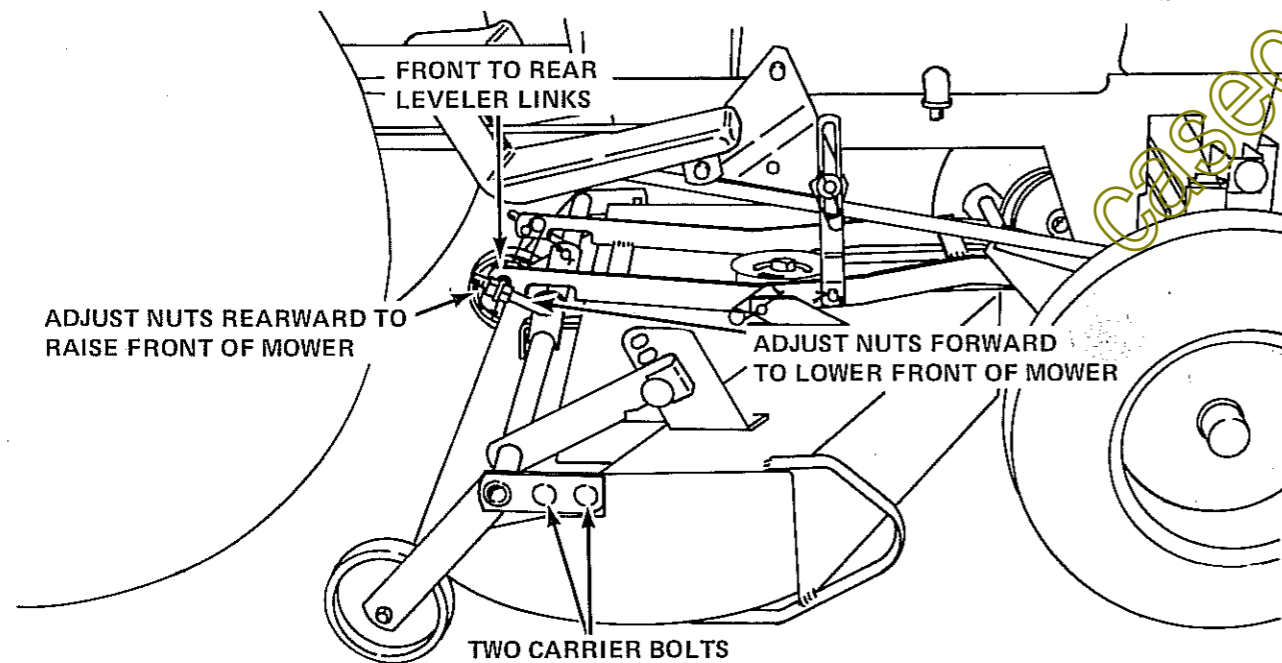


FIGURE 6

MAINTENANCE



CAUTION: Disengage attachment drive lever, stop engine and remove key and spark plug wire(s) before making adjustments.

BLADE BOLTS

Before you operate the lawn mower for the first time, check the bolts holding the blades. The bolts must be tight. After the first eight hours of operation, check the bolts again. Each time the blades are removed, install new lock washers under the bolt heads. Tighten the bolts and check again after 8 hours of operation.

BENT BLADES

Check for a bent blade before you install the lawn mower on the tractor. Check the blades for damage after you hit foreign material.

The ends of the blades must be aligned horizontally. A $1/8"$ (3 mm) difference is acceptable.

Align two blades as shown in Figure 7. Check all six ends in a similar way. Replace all bent blades.

Bent blades will leave strips of grass not cut.



CAUTION: Sharp mower blades. Wear gloves or wrap the mower blade with a rag when handling blades. Improper handling can cause cuts to the skin.

MOWER GAUGE WHEELS

Two acceptable methods of lubrication:

- a. Lubricate the gauge wheels every eight hours of use. Remove the gauge wheels to apply grease to the bushings.

- b. Apply oil every four hours to the bolts and bushings of the gauge wheels. You do not need to remove the gauge wheels to apply oil. Tilt the lawn mower deck. Let the oil flow into the bushings.

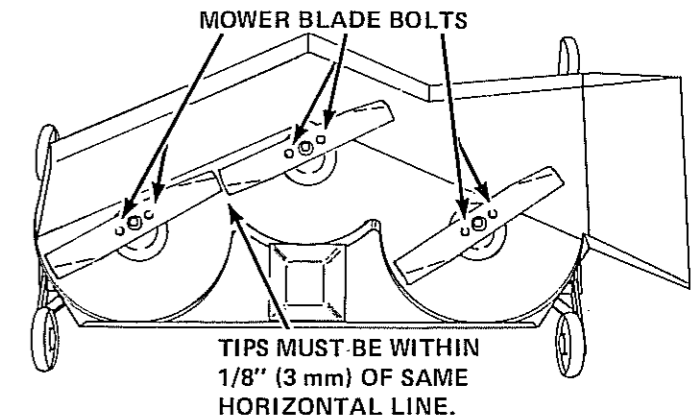


FIGURE 7

BELT REPLACEMENT ON THE LAWMOWER CHASIS.

1. Remove the deck belt guard.
2. Release the idler pulley tension. Put a $9/16"$ wrench on the nut which holds the idler pulley. Rotate the wrench towards the front of the deck.
3. Remove the old belt.
4. Put the new belt around the three spindle pulleys and idler pulley.
5. Manually rotate the belt. Check for free movement of the belt. Make sure the idler pulley has tension.
6. Install deck belt guard.

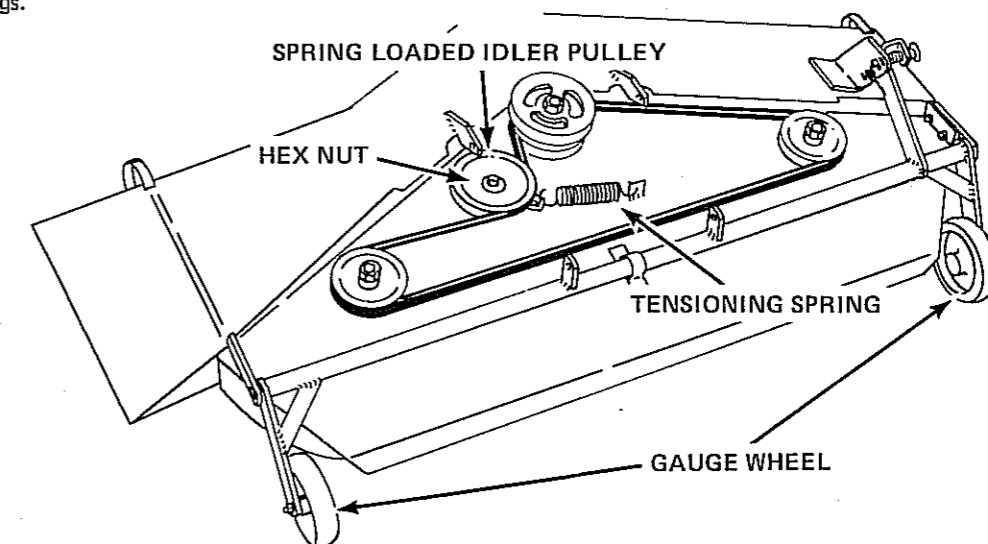


FIGURE 8 L44 MOWER WITH BELT GUARD REMOVED FOR A CLEAR VIEW

SHARP BLADES

Stop the engine. Wait for all motion to stop. Be careful while you check the lawn mower blades. After each job check for damage or blade wear.

A blade that is worn can give a rough cut and brown areas of grass can result.

See Figure 9 for the correct angle of the cutting edge. The cutting edge must be at least 3-1/2" (90 mm) long.

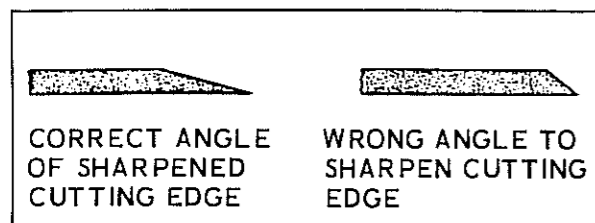


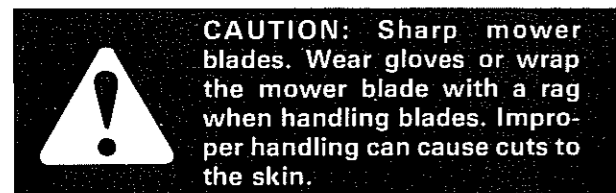
FIGURE 9

NOTE: The K46 and L46 lawn mower blades have different lengths. The center blade is 1" (25 mm) shorter than the outside blades.

Make sure the shorter blade is installed on the center spindle.

Manually rotate the blades after installation. Check for correct clearance through one complete turn.

After grinding a blade, check for balance. Use a balance tool as shown. A balanced blade will stay in a horizontal position.



CAUTION: Sharp mower blades. Wear gloves or wrap the mower blade with a rag when handling blades. Improper handling can cause cuts to the skin.

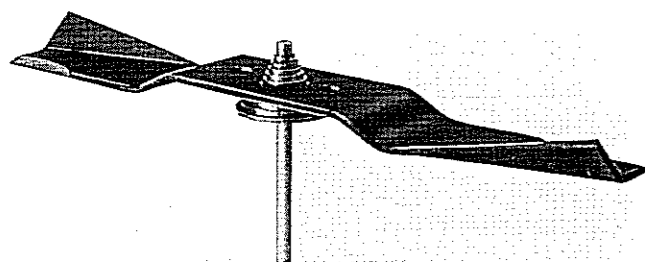
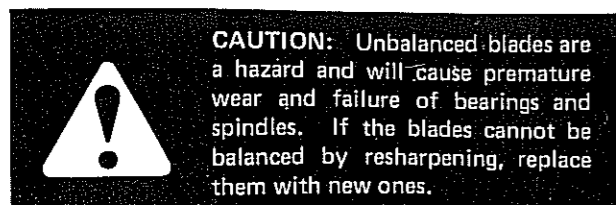


FIGURE 10

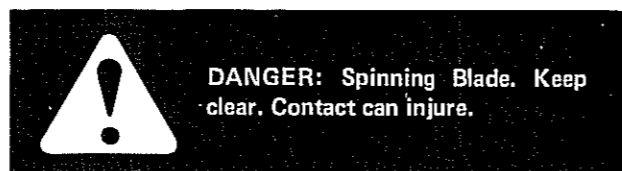


CAUTION: Unbalanced blades are a hazard and will cause premature wear and failure of bearings and spindles. If the blades cannot be balanced by sharpening, replace them with new ones.

CLEANING THE LAWN MOWER CHASSIS

Large amounts of grass in the mower deck will:

1. cause more than normal horsepower consumption
2. cause an obstruction
3. cause a bad cutting job
4. cause corrosion
5. damage bearings or seals



DANGER: Spinning Blade. Keep clear. Contact can injure.

Stop the engine. Wait for all motion to stop. Use caution when you check the lawn mower deck. Periodically check and clean the deck. Remove the grass wound between the blade mounting plates and spindle housings.

TRACTOR AND ENGINE MAINTENANCE

Complete instructions for tractor and engine maintenance are in your tractor operator's manual.

CHECK AND CLEAN DAILY:

1. Fins of the heat exchanger.
2. Air intake screen of the engine.
3. Air cleaner element.

During dusty or dry conditions use a precleaner. The precleaner fits over the air cleaner element and gives the element a longer life.

The precleaner can be washed with detergent and water.

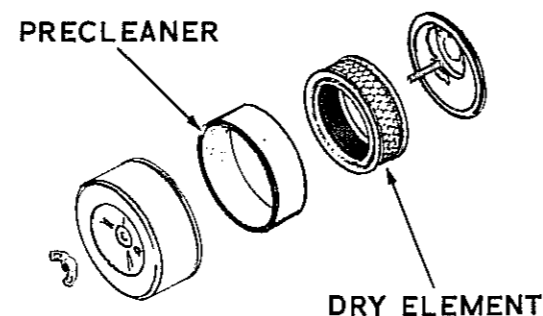


FIGURE 11

TIRE AIR PRESSURE

Keep the tires at the correct air pressures. See your tractor operator's manual.

INSTALLATION

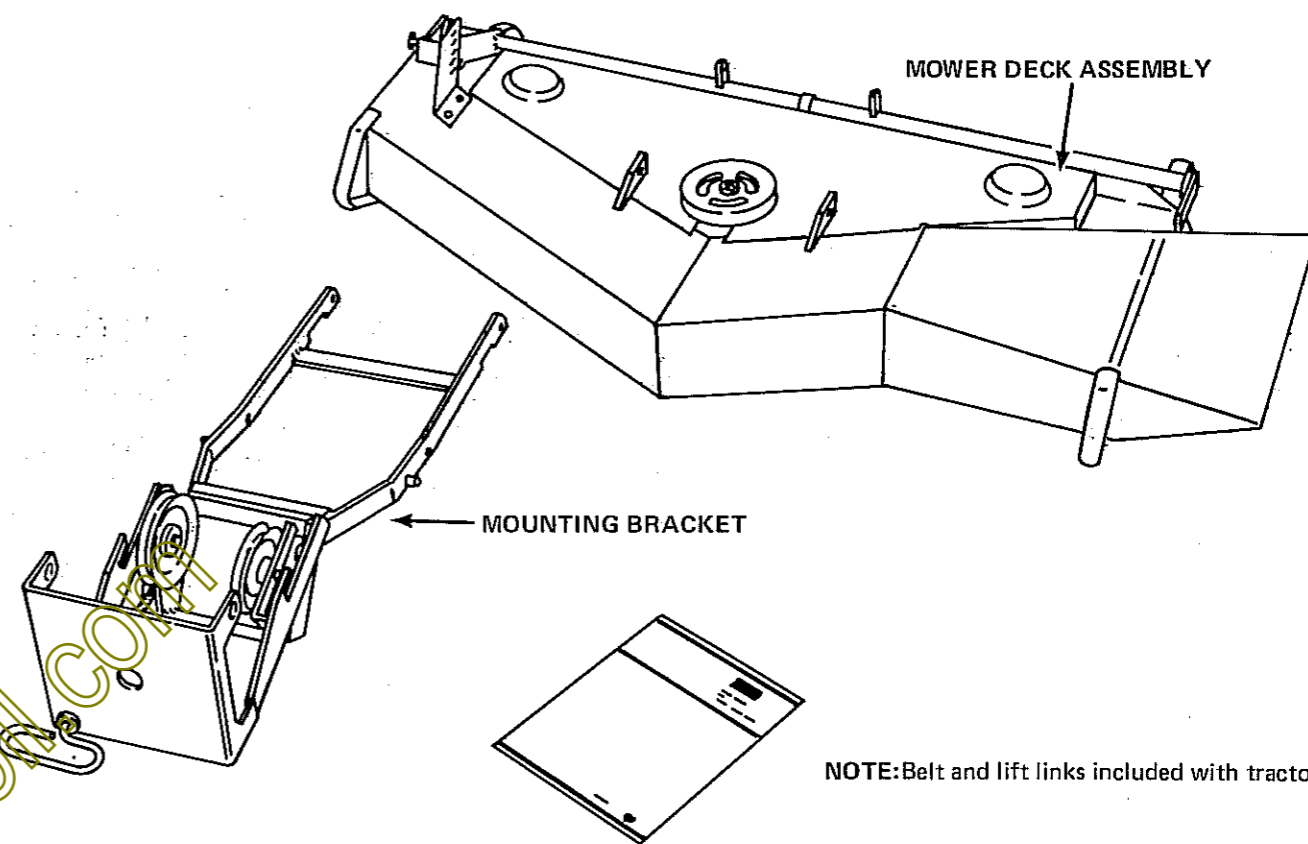


FIGURE 12 MODEL L44 ROTARY MOWER - DISASSEMBLED

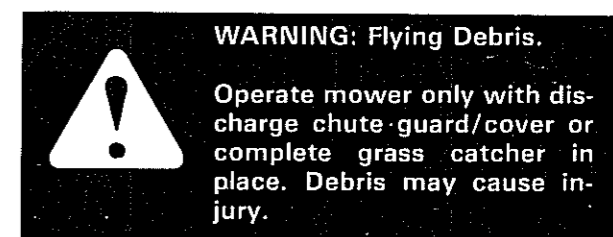
ASSEMBLY

1. Remove the components from the box. Check for damage or missing parts.
2. The belt and lift links for your mower are included with your tractor.
3. Use cotter pins to fasten the lift links to the mounting bracket. See Figure 14.

NOTE: On Model 226, 446 and 448 tractors, the offset lift link is fastened to the R.H. side of the tractor.

NOTE: Do not assemble the mounting bracket to the lawn mower deck as shown in Figure 14. It is easier to first install the mounting bracket on the tractor.

4. Important for N40, N44 and N46 mowers: Install the discharge chute with three bolts as shown in Figure 13.



WARNING: Flying Debris.

Operate mower only with discharge chute guard/cover or complete grass catcher in place. Debris may cause injury.

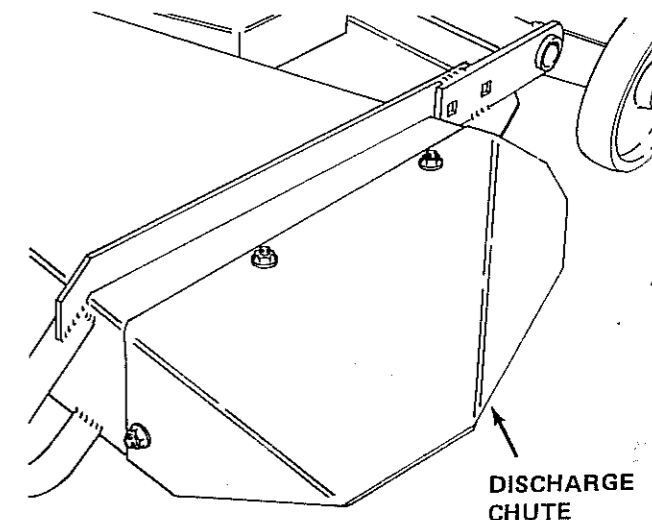


FIGURE 13

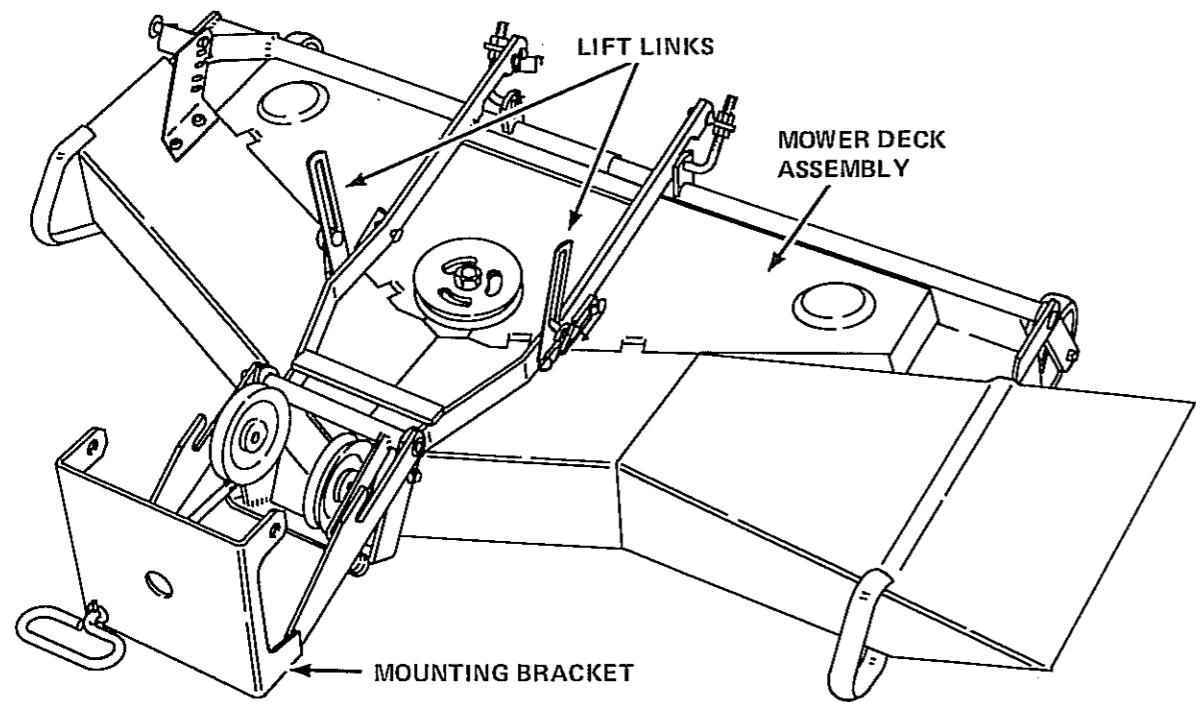


FIGURE 14 MODEL L44 ROTARY MOWER - ASSEMBLED

NOTE: DO NOT ASSEMBLE MOUNTING BRACKET TO MOWER DECK AS SHOWN. REFER TO STEP 3 - ASSEMBLY.

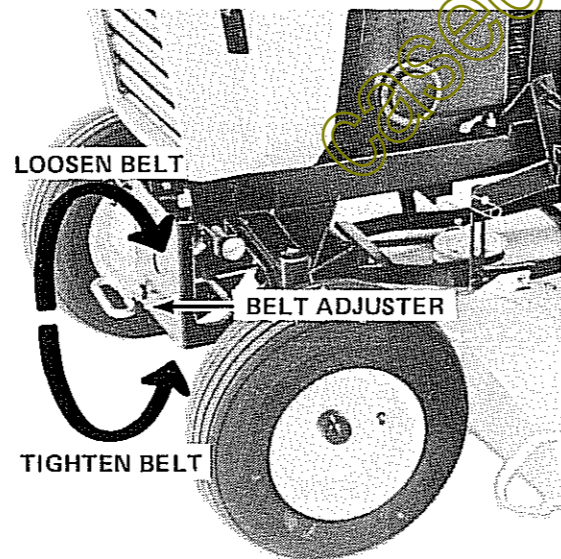


FIGURE 15 BELT ADJUSTMENT

INSTALLING

1. Put the tractor on a level surface like a concrete floor.
2. Completely turn the belt adjuster handle counter-clockwise. This will permit mounting clearance at the front axle. See Figure 15.

3. See Figure 16. Put the mounting bracket under the front of the tractor. Raise and install the mounting bracket on the mounting pins. Align the holes in the mounting bracket with the "snap fast pins". Release the "snap fast pins" to hold in place.

NOTE: Model 644, 646 and 648 tractors do not have "snap fast pins". Use two clevis pins and two safety pins.

4. Completely lower the lift arms on the tractor. On all models except the 226, 444, 446 and 448, put the lift links on the inside of the lift arm. See Figure 16. Put a plain washer on the clevis pins. From the inside install:
 - a. through the slot in the lift link

- b. through the front hole in the lift arm
- c. fasten on the outside with a safety pin

On Model 226, 444, 446 and 448 tractors the left lift link is installed using the above procedure.

Use the offset lift link on the right side.

To install:

- a. put lift link on outside of lift arm
- b. install clevis pin from the inside
- c. fasten with washer and safety pin

5. Raise the lift arms into the transport position.

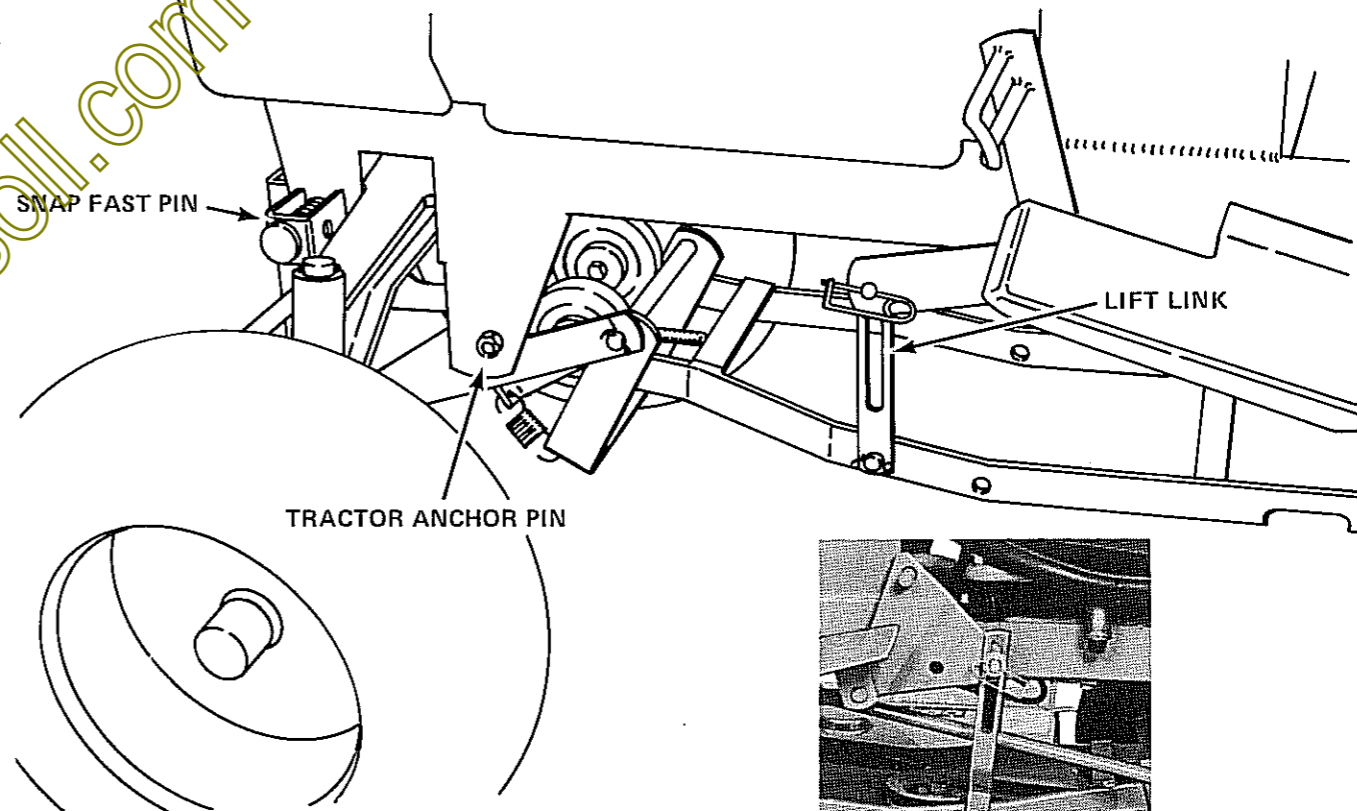


FIGURE 16 MOUNTING THE L44 MOWER MOUNTING BRACKET

OFFSET LIFT LINK INSTALLATION FOR MODEL 226, 444, 446 AND 448 TRACTORS

6. Put the height selector lever in the "L" position. From the right side, slide the lawnmower under the tractor. Align the mounting tabs with the mounting bracket.

Raise the lawn mower to the "M" position. Lower the mounting bracket to the lawn mower deck.

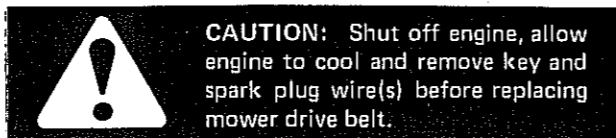
7. Fasten the leveler links to the mounting bracket as shown in Figure 17.

8. Connect the tabs on the lawn mower to the mounting bracket. Use two clevis pins and safety pins.

NOTE: Manually lift the lawn mower to align the bracket and tab holes.

9. Before you install the belt:

- stop the engine
- remove the ignition key
- permit the engine to cool
- engage the attachment drive clutch (to allow belt to pass)
- raise the hood and remove the spark plug wire



10. To install the belt:

- pull the belt up in front of the idler pulleys
- pull the belt up and between the heat exchanger and the fan
- put the belt on the pulley of the attachment drive clutch
- turn the belt adjuster lever clockwise to allow the belt to go around the idler pulleys
- disengage attachment drive clutch
- align the belt on the idler pulleys
- put the belt on the pulley of the lawn mower

11. Make sure the belt is correctly located on each pulley. See Figure 5.

12. Turn the adjuster lever counterclockwise to tighten the belt. The belt tension is correct when the gap between spring coils is equivalent to one wire diameter.

IMPORTANT: Before operating the lawn mower, read and follow the Adjustments and Maintenance sections of this manual.

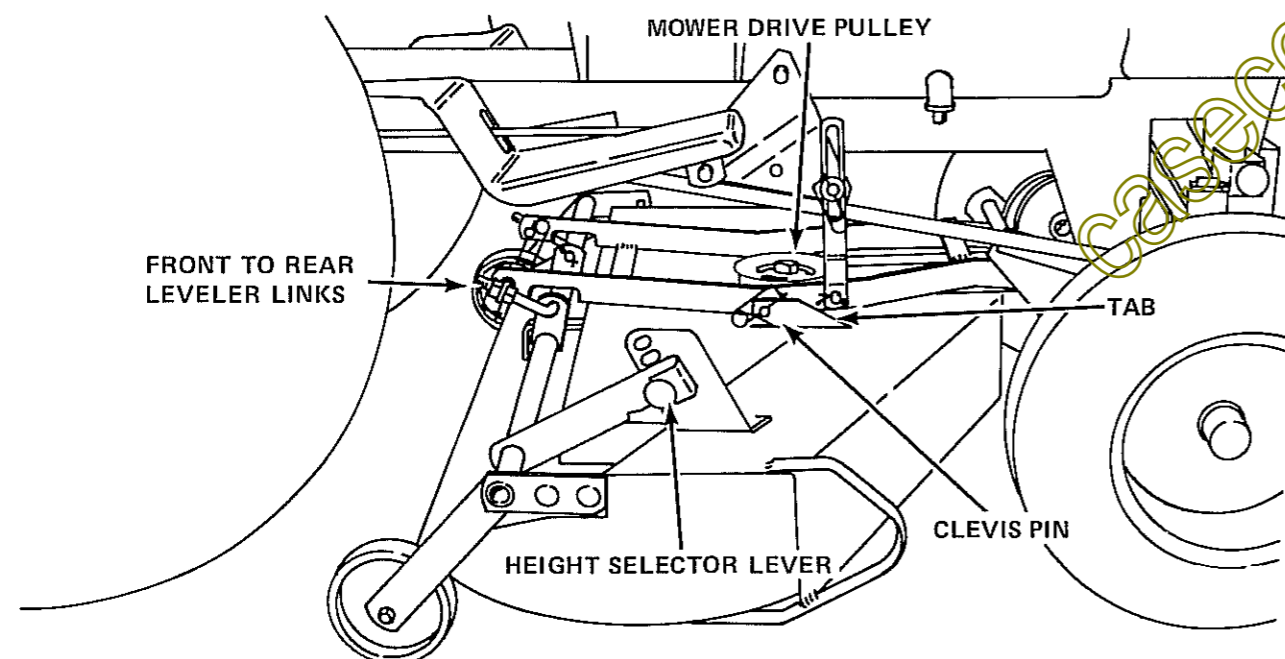


FIGURE 17 MOUNTING THE L44 MOWER DECK

TROUBLESHOOTING CHART

LAWN MOWER NOT CUTTING EVEN OR LEAVING A STRIP OF GRASS

POSSIBLE CAUSE	CORRECTION
1. Obstruction in bottom of mower deck.	1. Remove deck and clean.
2. Blades not sharp.	2. Cutting edge must be sharp and at least 3-1/2" (89 mm) long.
3. Engine speed too slow.	3. Adjust engine speed to 3600 RPM.
4. Travel speed too fast.	4. Decrease travel speed.
5. Grass too long.	5. Cut twice. First at highest position then at needed height.
6. Drive or deck belt slippage.	6. Check belts. Adjust tension or replace.
7. Attachment drive clutch slippage.	7. Adjust or repair attachment drive clutch.

LAWN MOWER CUTS HIGH ON ONE SIDE

POSSIBLE CAUSE	CORRECTION
1. Lawn mower deck not level side to side.	1. Adjust side to side level (first check for equal tire pressure).

TOO MUCH POWER CONSUMPTION AND CUTS BADLY

POSSIBLE CAUSE	CORRECTION
1. Blades not sharp.	1. Make blades sharp.
2. Lawn mower deck not level front to rear.	2. Deck must be level or no lower than 1/8" (3 mm) in front (first check air pressure in tires).
3. Blades installed upside down or wrong blades installed.	3. Install correctly. Blades rotate counterclockwise. Cutting edge must lead.
4. Blade not straight.	4. Replace blade.

CENTER BLADE ONLY CUTTING

POSSIBLE CAUSE	CORRECTION
1. Deck belt broken.	1. Replace belt.

NOTE: Ingersoll Equipment Co., Inc. reserves the right to make improvements in design or changes in specifications at any time without incurring any obligation to install them on units previously sold.