



Ingersoll

SNOW BLOWER

SB38G

SB48

Operator's Manual 8-55990

casecoltingersoll.com



That Follows and Be Alert To The Possibility
Of Personal Injury Or Death

IF THIS MACHINE IS USED BY AN EMPLOYEE OR IS
LOANED OR RENTED, MAKE ABSOLUTELY CERTAIN
THAT THE OPERATOR(S), PRIOR TO OPERATING:

1. IS INSTRUCTED IN SAFE AND PROPER USE.
2. REVIEWS AND UNDERSTANDS THE MANUAL(S)
PERTAINING TO THE MACHINE.

751253



WARNING

BEFORE STARTING ENGINE

STUDY OPERATOR'S MANUAL SAFETY MESSAGES
READ ALL SAFETY SIGNS ON MACHINE
CLEAR THE AREA OF OTHER PERSONS

LEARN & PRACTICE SAFE USE OF CONTROLS BEFORE OPERATING


IT IS YOUR RESPONSIBILITY TO UNDERSTAND AND FOLLOW MANUFACTURER'S INSTRUCTIONS
ON MACHINE OPERATION, SERVICE, AND TO OBSERVE PERTINENT LAWS AND REGULATIONS.
OPERATOR AND SERVICE MANUALS MAY BE OBTAINED FROM YOUR EQUIPMENT DEALER.

TABLE OF CONTENTS


Safety Messages	4-5
Introduction	6
Application Chart	6
Preparing for Snow Removal	7
Methods of Snow Removal	7
Snow Conditions	7
Operating Procedure	8
Operating Controls	8
Tire Chains and Wheel Weights	8
Adjustments	9-10
Assembly	11
Installation	12
Removing the Snow Blower	13
Maintenance	14

casecoltingersoll.com


understood by all who operate it.




CAUTION: Never allow children or young teenagers to operate the tractor and snow blower.



CAUTION: Be sure you know how to stop the tractor and snow blower at a moment's notice.



CAUTION: Check the tractor and blower to make certain both are in good operating condition.



CAUTION: Fill gas tank out of doors and avoid spilling gasoline. Do not fill tank with gasoline while smoking or while engine is running.



CAUTION: Keep the area of operation clear of all persons particularly small children.




CAUTION: Stop engine and disengage attachment drive clutch when tractor is unattended.




CAUTION: Give complete and undivided attention to the job at hand.



CAUTION: Disengage attachment drive clutch when someone approaches.



CAUTION: Extreme caution should be exercised under slippery conditions. Reduce forward speed. Install tire chains and wheel weights to traction wheels for added safety.




Extra care should be used around exposed areas such as the auger and discharge chute.

ALWAYS:

1. Disengage the attachment drive clutch,
 2. Shut off tractor engine,
 3. Set parking brake, and
 4. Wait for all motion to stop.
- BEFORE** approaching or allowing anyone else to approach the front of the tractor to:
1. Clear the auger or discharge chute,
 2. Change position of chute deflector,
 3. Service or adjust snow blower or tractor, or
 4. For any other reason.



CAUTION: Disengage attachment drive clutch when transporting.



CAUTION: Disengage the attachment drive clutch when starting engine and when transporting the snow blower. Before the first snowfall, the area in which snow removal is to take place should be cleared of all stones, sticks, etc., which might be picked up by the snow blower. **OBSTACLES SUCH AS DRIVEWAY MARKERS, WATER OR GAS SHUT OFFS, ETC. SHOULD BE MARKED SO THEIR LOCATIONS UNDER THE SNOW ARE VERY OBVIOUS.**



CAUTION: Never direct snow discharge at people or buildings.



CAUTION: Never attempt to service or make adjustments while the snow blower or tractor is running.



CAUTION: Do not allow anyone other than the operator to ride on the tractor or to be towed behind.

IMPORTANT: Always install new decals whenever the old decals are destroyed, lost, painted over or illegible. When individual parts are replaced that have decals attached, be sure to install a new decal with the new part. Replacement decals are available from your factory authorized Dealer.

casecoltingersoll.com

(d) Adjustments

(e) Maintenance

changes in specifications at any time without incurring any obligation to install them on units previously sold.

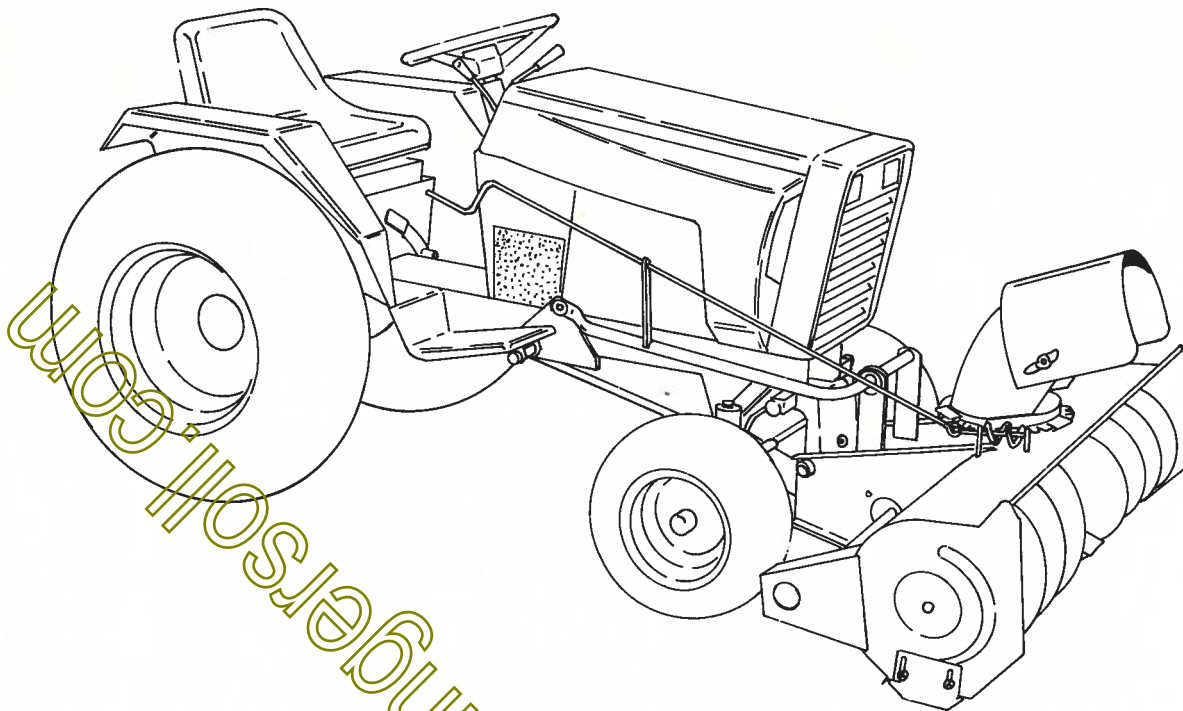


FIGURE 1

ATTACHMENT APPLICATION CHART

MODEL	SIZE	TRACTOR MODEL
SB38G	38" (965 mm)	3010, (3012, 3014, 3016, 3018)*
SB48	48" (1220 mm)	3012, 3014, 3016, 3018 4014, 4016, 4018, 4020

*Requires GL1 (narrow) rear tires on tractors.

PREPARING FOR SNOW REMOVAL

To become familiar with the controls, operate the tractor and snow blower in a clear area before removing snow. The more familiar you become with the snow blower the better results you will have in its use.

A light coat of wax applied to the inside surfaces of the discharge chute and deflector will help to prevent snow and slush from sticking. The inside of chute and deflector should be waxed several times during the snow removal season. Use any good commercial grade of paste wax or spray silicone which is available from your dealer or from your local hardware store.

Allow ample engine warm up time before starting snow removal.

Best results are obtained when snow is removed as soon as possible after it falls.

Check each item covered in the "Adjustments" and "Maintenance" sections of this manual before operating the snow blower.

CAUTION: Disengage the attachment drive clutch when starting engine and when transporting the snow blower. Before the first snowfall, the area in which snow removal is to take place should be cleared of all stones, sticks, etc., which might be picked up by the snow blower. **OBSTACLES SUCH AS DRIVEWAY MARKERS, WATER OR GAS SHUT OFFS, ETC. SHOULD BE MARKED SO THEIR LOCATIONS UNDER THE SNOW ARE VERY OBVIOUS.**



CAUTION: Do not allow anyone other than the operator to ride on the tractor or to be towed behind.



METHODS OF SNOW REMOVAL

A definite pattern of operation is required to thoroughly clean the snow area. This pattern will avoid a second removal of snow and avoid blowing snow to right and left, as on a long driveway, it is advantageous to start in the middle. See Figure 2. Work from one end to the opposite end blowing snow to both sides without changing direction of discharge chute. If

snow can only be blown to one side of the driveway, start on the opposite side. See Figure 3. At the end of each pass, rotate chute to opposite side for the return pass. At the end of each succeeding pass, rotate chute to opposite side to maintain direction of throw into the same area.

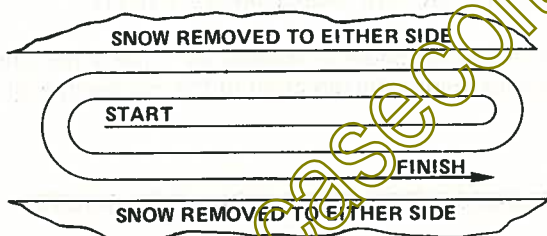


FIGURE 2

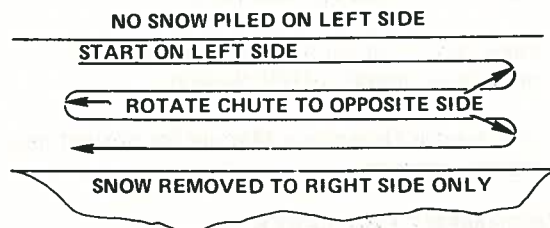


FIGURE 3

SNOW CONDITIONS

Snow removal conditions vary so greatly from the first

the blowing distance. Always operate the tractor in

2. Do not attempt to remove ice or hard packed frozen snow.
3. Always overlap each pass slightly to assure complete snow removal.
4. Use extreme care when freeing a frozen or stuck auger or chute. Always turn off the tractor first.
5. Operate with the hydraulic lever in the "float" (full forward) position. Never apply down pressure to the snow blower. With the hydraulic lift lever in the "float" position, the skid shoes will remain on the surface even though operating on uneven terrain.

ALWAYS:

1. Disengage the attachment drive clutch,
2. Shut off tractor engine,
3. Set parking brake, and
4. Wait for all motion to stop. **BEFORE** approaching or allowing anyone else to approach the front of the tractor to:
 1. Clear the auger or discharge chute,
 2. Change position of chute deflector,
 3. Service or adjust snow blower or tractor, or
 4. For any other reason.

OPERATING CONTROLS

ATTACHMENT DRIVE CLUTCH

The snow blower is started and stopped with the attachment drive clutch (PTO) Switch.

See your tractor Operator's Manual for correct use of your tractor controls.

ATTACHMENT LIFT LEVER

The snow blower is raised and lowered with the attachment lift lever. Place the attachment lift lever in the "float" position when using the snow blower.

CRANK FOR THE DISCHARGE CHUTE

The discharge chute is rotated by turning the crank. This determines the direction of the discharged snow.

DEFLECTOR FOR THE DISCHARGE CHUTE

The deflector angle is changed by loosening the wing nuts and tilting it to the desired position and tightening the wing nuts. This controls the distance the snow is blown.

TIRE CHAINS AND WHEEL WEIGHTS

The use of tire chains and wheel weights, or rear weight box is recommended for snow removal operation. The extra traction resulting gives the tractor operator maneuverability in handling heavy snow removal jobs. These accessories are sold by your dealer and are not included with the snow blower.



CAUTION: Extreme caution should be exercised under slippery conditions. Reduce forward speed. Install tire chains and wheel weights to traction wheels for added safety.

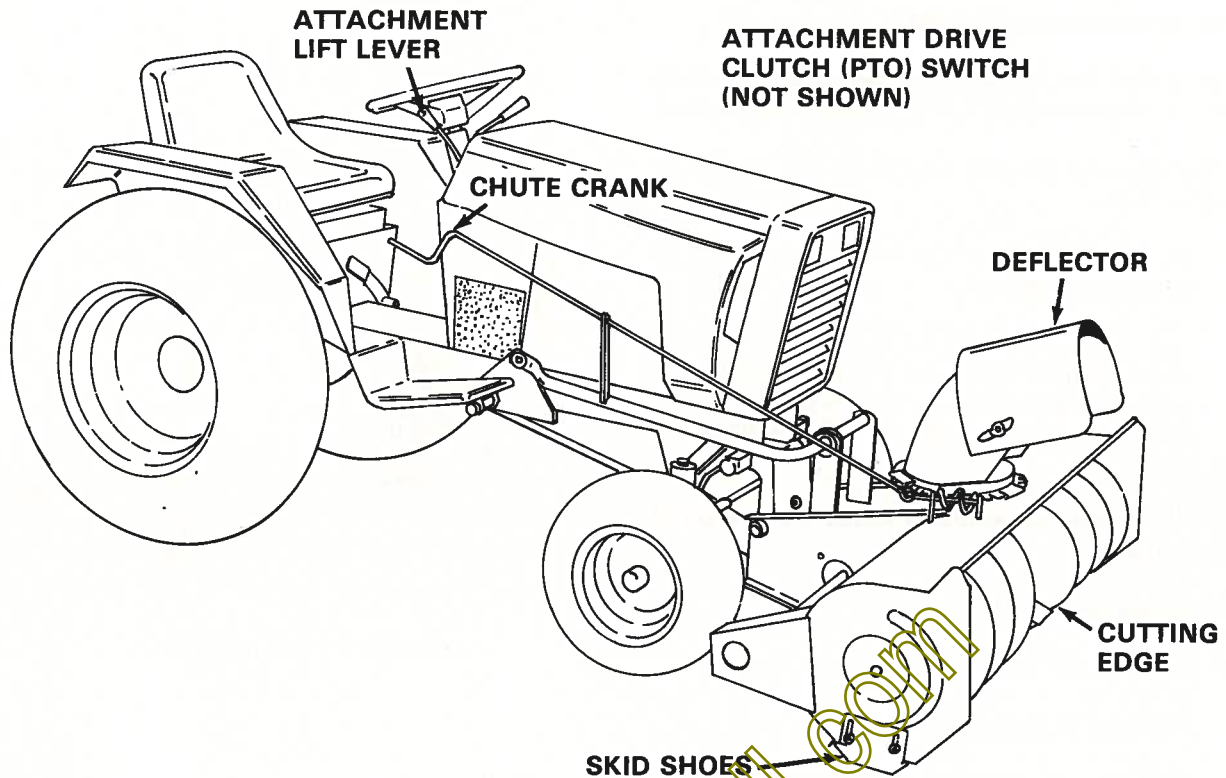


FIGURE 4

ADJUSTMENTS

SKID SHOES

The skid shoes have slotted mounting holes for adjustment. Use the following procedure to change the skid shoe height:

- (a) Raise the snow blower. Shut off the engine.
- (b) Place blocking under the snow blower cutting edge.
- (c) Place the hydraulic lift lever in the "float" position.
- (d) Loosen the bolts and raise or lower the skid shoes to the desired height.

When the leading edges of the skid shoes wear, place the left shoe on the right side and the right skid shoe on the left side.

The skid shoes can be raised past the cutting edge by installing them with the offset to the outside. This will permit the cutting edge to be in contact with the ground surface. Use this method only when clearing hard level concrete or asphalt areas.

DEFLECTOR

The deflector has a slotted hole on each side for adjustment. To change the angle of the deflector, loosen the large wing nuts, tilt the deflector to the desired angle and tighten the large wing nuts.

Deflector tilted upward: Snow is cast higher and

lower strand of the chain at a point midway between the sprockets. A correctly adjusted chain will have approximately 1/4" (6.4 mm) of deflection.

Use the following procedure to adjust the tension of the drive chain:

1. Loosen bolt (A) and nut (C).
2. Turn nut (D) to obtain the proper tension.
3. Tighten nut (C) and bolt (A).
4. Recheck to insure the proper tension exists.

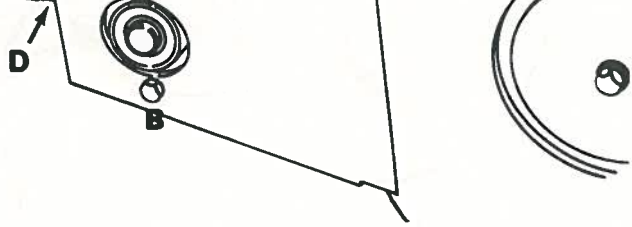


FIGURE 5 Chain Adjustment

casecoltingersoll.com

ASSEMBLY

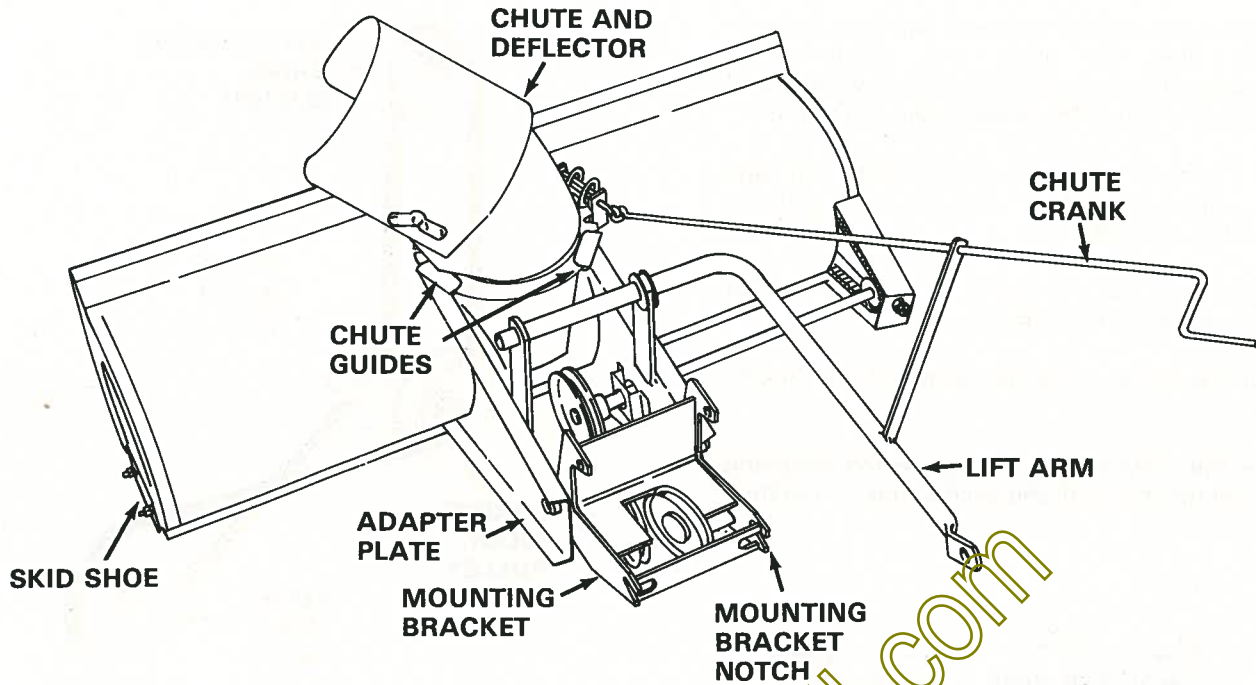


FIGURE 6 Snow Blower (Assembled)

1. Remove the components from the box. Check for damage or missing parts.
2. Position the mounting bracket between the auger housing adapter plates as shown in Figure 6.
3. Insert the special shoulder bushing from the outside through the holes in the adapter plates and the upper mounting holes in the mounting bracket.
4. Fasten the mounting bracket to the adapter plates with the one flat washer on the outside and one flat washer and locknut on the inside.
5. Install the skid shoes with the round head bolts. Insert the bolts from the inside with the flat washer, lockwasher and nut on the outside.

Install the skid shoes in their "down" position if the snow blower will be used on a gravel area.

Install the skid shoes in their "up" position if the snow blower will be used on a cement or blacktop area.

6. Apply a light coating of grease to the outside of the discharge spout on the auger housing.

7. Place the chute over the discharge spout and engage the base ring notches with the crank spiral.

8. Install two of the chute guides on the sides with



3. Engage and lock the brake to hold the tractor while attaching the snow blower.
4. Lock the tractor "snap fast pins" in the "open" position.
5. Slide the snow blower to engage the mounting bracket notches with the anchor pins on the tractor.

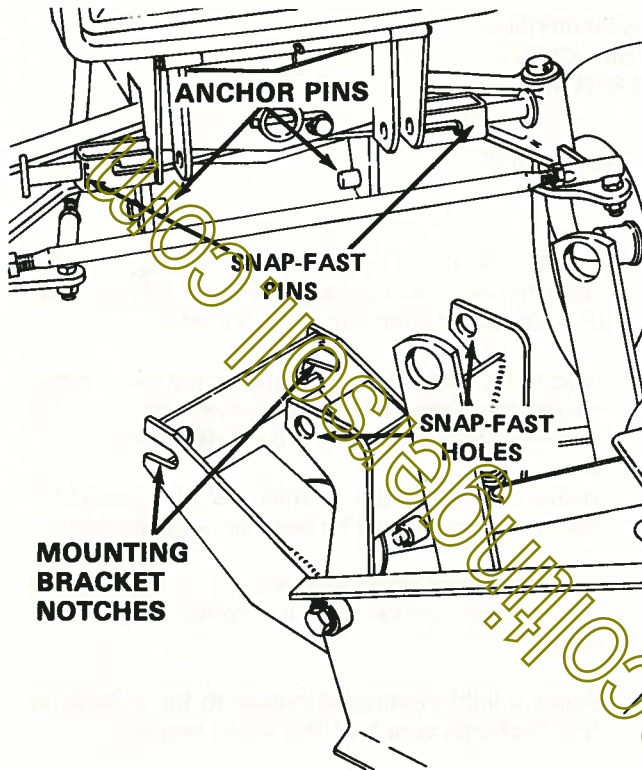


FIGURE 8

6. Pivot the mounting bracket upward and into the tractor "snap fast pin" receptacles. Release the "snap fast pins" to lock the mounting bracket into position.
7. Two belts are included with the Model SB48, Snow Blower. Use the longer belt when installing the snow blower on a Model 4014, 4016, 4018, 4020.

Use the shorter belt when installing the snow blower on a Model 3012, 3014, 3016, 3018.

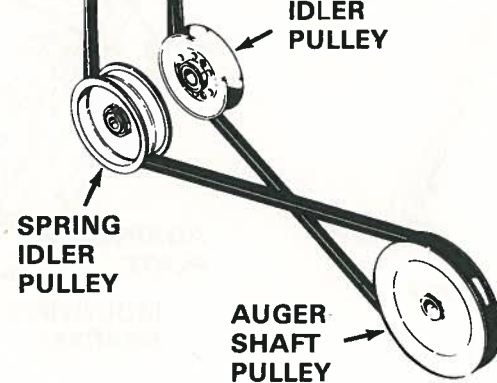


FIGURE 9

8. Place the drive belt over the attachment drive clutch pulley.
9. Place a belt under the "fixed" idler pulley and around the "auger shaft" pulley. Push down on the "spring idler" pulley lever and locate the belt on the underside. Check the belt to make certain it is correctly installed with the "vee" side in the vee groove pulleys and the "flat" side in the flat groove idler pulley. Manually turn the auger to check for proper belt rotation.
10. Connect the chute crank to the crank spiral by aligning the open ends of each loop and rotating the loop of the chute crank onto the loop of the crank spiral.
11. Thread the handle end of the chute crank through the hole in the crank support on the lift arm.
12. Place one plain washer next to the cotter pin and slide the lift arm through one lift bracket.
13. Place the second plain washer on the lift arm and slide the lift arm through the second lift bracket.
14. Push the washers tight on either side of the right lift bracket and secure with the safety pin.
15. Raise or lower the tractor lift lever to align the hole in the lift arm with the lug on the lift lever. Secure with a plain washer and safety pin.
16. Inflate the front tractor tires to 14 psi (95 kPa).

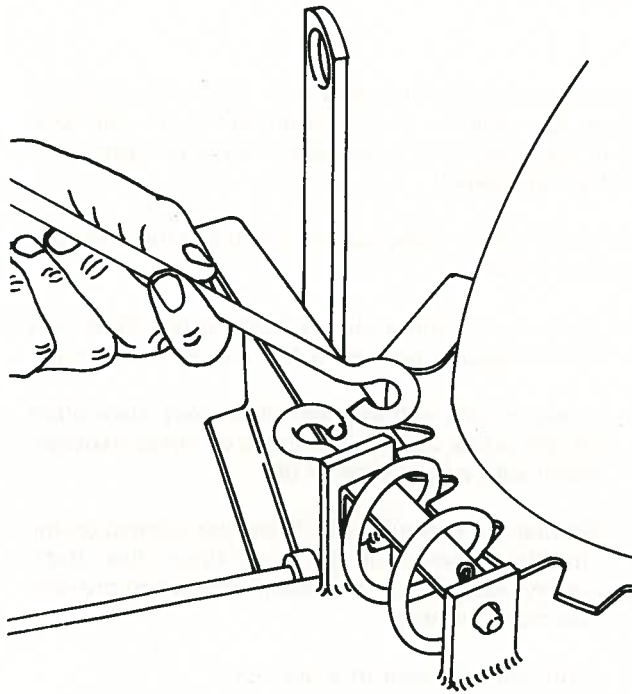
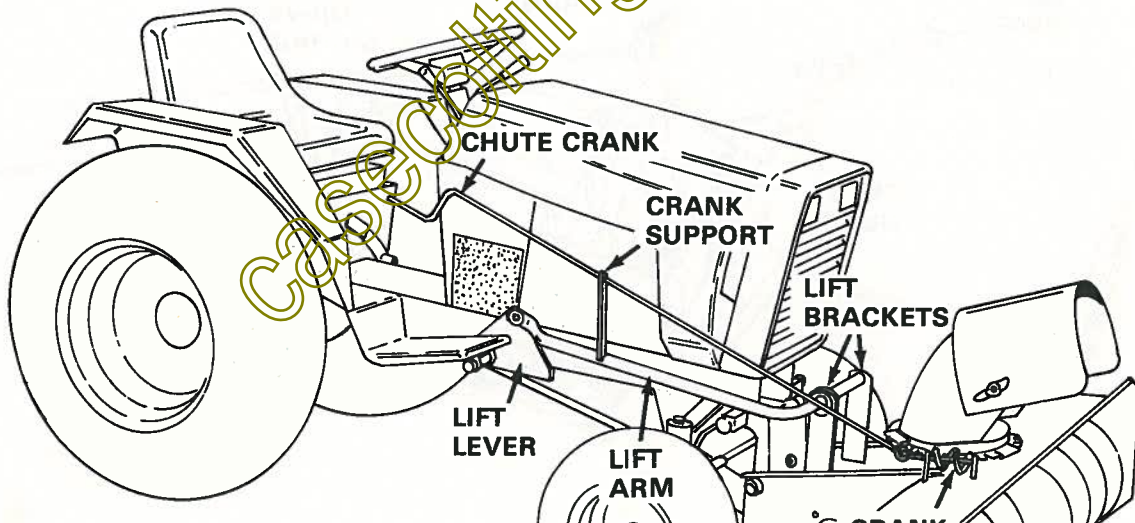


FIGURE 10 Installing Chute Crank

IMPORTANT: Before operating the snow blower, review and follow the recommendations outlined in the Adjustments and Maintenance sections of this manual.

REMOVING THE SNOW BLOWER

1. Disconnect spark plug wire(s) as a safety precaution.
2. Push the "spring idler" pulley to loosen and remove the belt. Reconnect the spark plug wire.
3. Disconnect the lift arm from the tractor lift lever. Remove the safety pin from the front of the lift arm. Slide the lift arm part way out of the lift brackets to clear the tractor. Swing the lift arm with crank attached over the snow blower assembly.
4. Pull the snap fast pins out to release the mounting bracket and back the tractor away.



while the snow blower or tractor is running.

Grease the discharge chute crank, chute guides and the chute base ring daily to keep the crank turning freely.

2. Wash off any salt deposit which may have dried on the auger and chute. Paint or cover exposed metal with a light coat of oil.
3. Service the snow blower following lubrication instructions above. Oil the auger drive chain thoroughly using chain and cable lubricant to prevent rust from forming.
4. Store snow blower in a dry place.

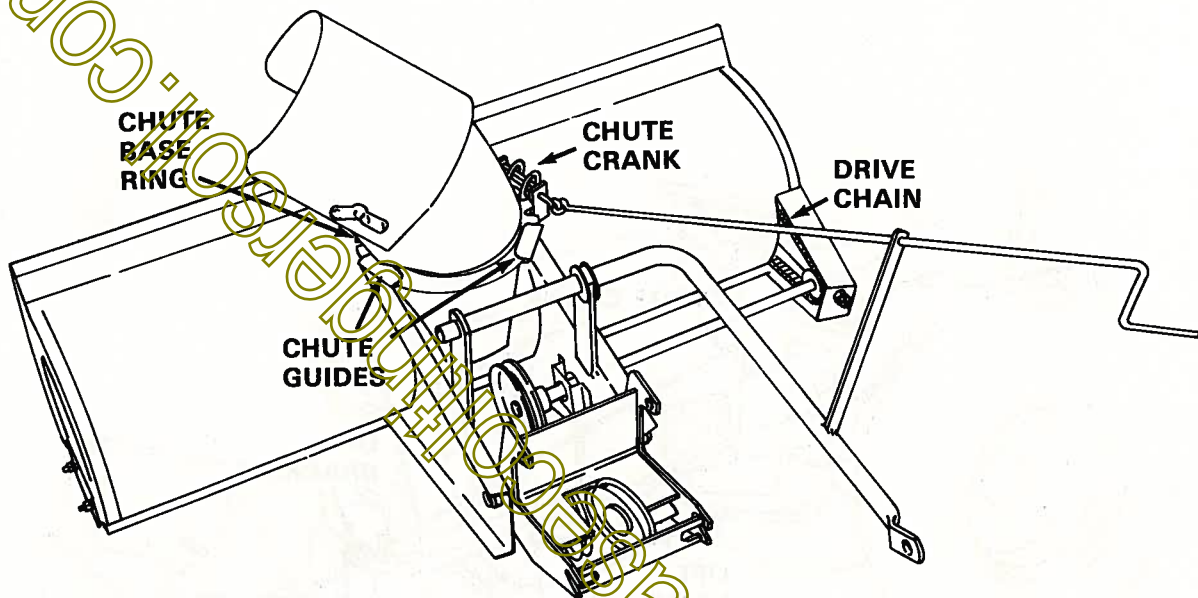


FIGURE 12

casecoltingersoll.com

casecollecting.com