

## PARTS CATALOG NO 990

This catalog covers parts peculiar to the T-90 Utility Transporter.

Catalog No. A977 Model 150 and 190 Garden Tractors must be used to ascertain part numbers common to both machines.

# CASE

MODEL T90

UTILITY TRANSPORTER



PRICE 75¢



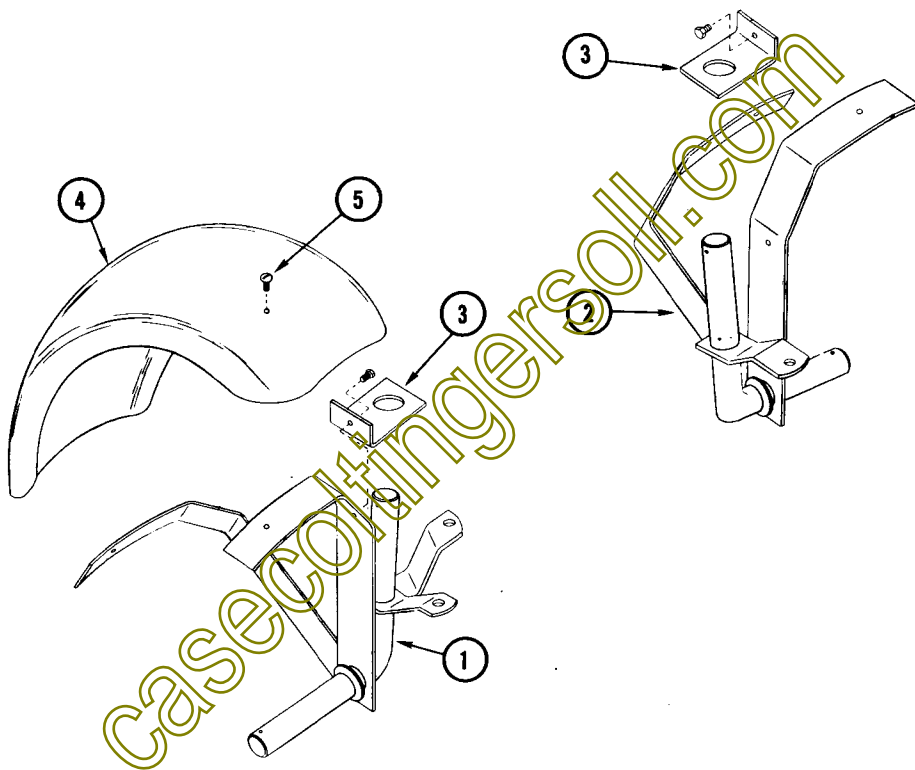
J. I. CASE COMPANY  
Racine, Wisconsin, U.S.A.

# CASE T-90 UTILITY TRANSPORTER

## ALPHABETICAL INDEX

B	
Brake . . . . .	11
D	
Drawbar and Tow Hitch . . . . .	11
E	
Electrical Wiring and Hardware . . . . .	13-15
F	
Front Axle . . . . .	3
H	
Hood, Frame and Grille . . . . .	9
Hydraulic Drive Motor . . . . .	7
Hydraulic System . . . . .	3
S	
Seat, Fenders and Tool Box . . . . .	7
T	
Transmission and Final Drive . . . . .	5

casecoltingersoll.com



**FRONT AXLE**

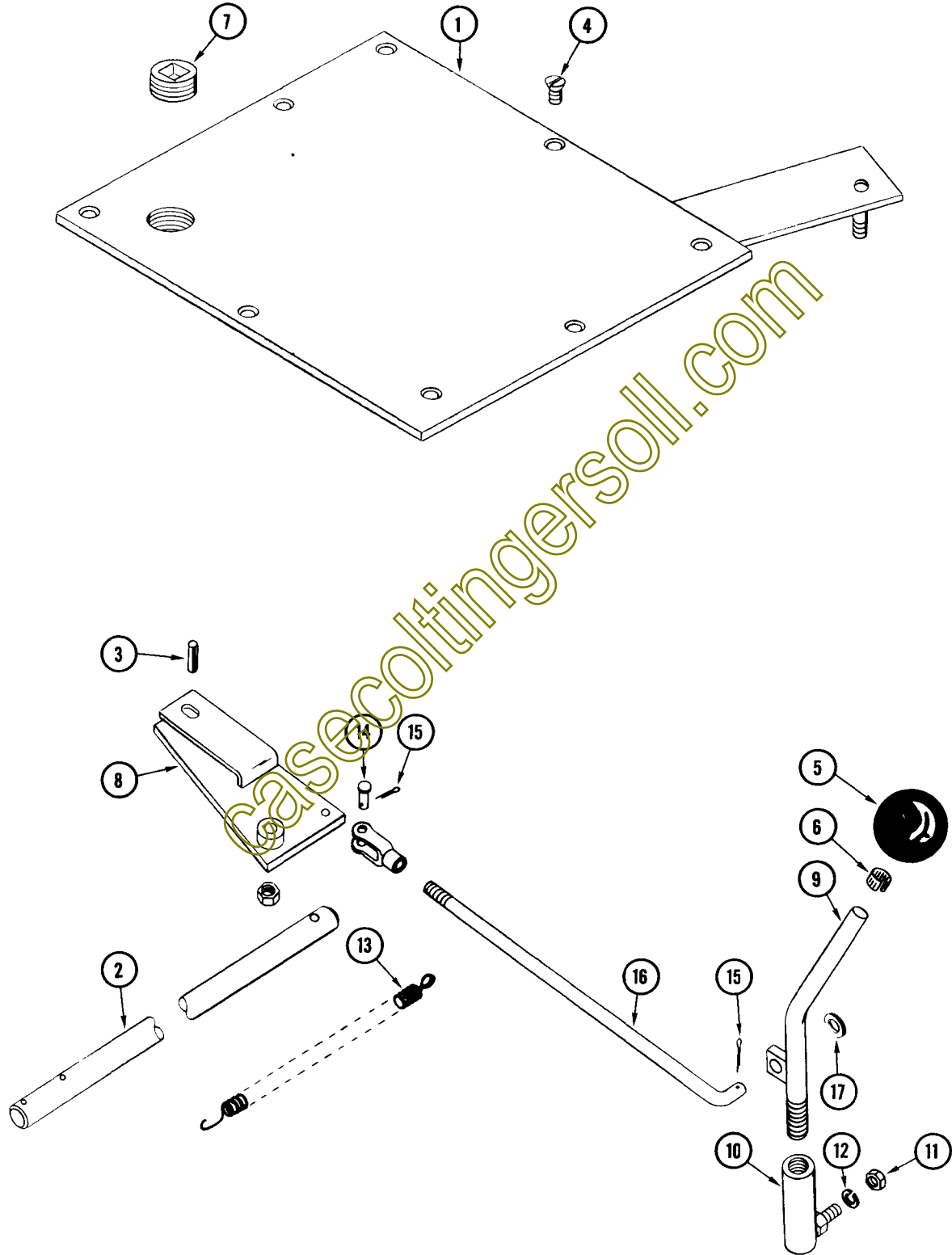
REF. PART NO.	DESCRIPTION	REQ'D
1 C 11554	SPINDLE - right hand (In place of C-10215) . . . . .	1
2 C 11555	SPINDLE - left hand (In place of C-10217) . . . . .	1
3 C 11556	SUPPORT - fender bracket . . . . .	2
4 C 11277	FENDER - front . . . . .	2
5 175- 400	SCREW - truss head, 1/4-24, plated . . . . .	4

(See page 29, #A977 Parts Catalog)

**HYDRAULIC SYSTEM**

C 10415	MOTOR - hydraulic (In place of C-10270) . . . . .	1
C 11035	TUBE - frt. valve port to motor (In place of C-10268) . . . . .	1
C 11036	TUBE - rear valve port to motor (In place of C-10269) . . . . .	1
C 11037	TUBE - trans. to heat exchanger (In place of C-10267) . . . . .	1
C 11038	TUBE - pump to transmission (In place of C-10575) . . . . .	1

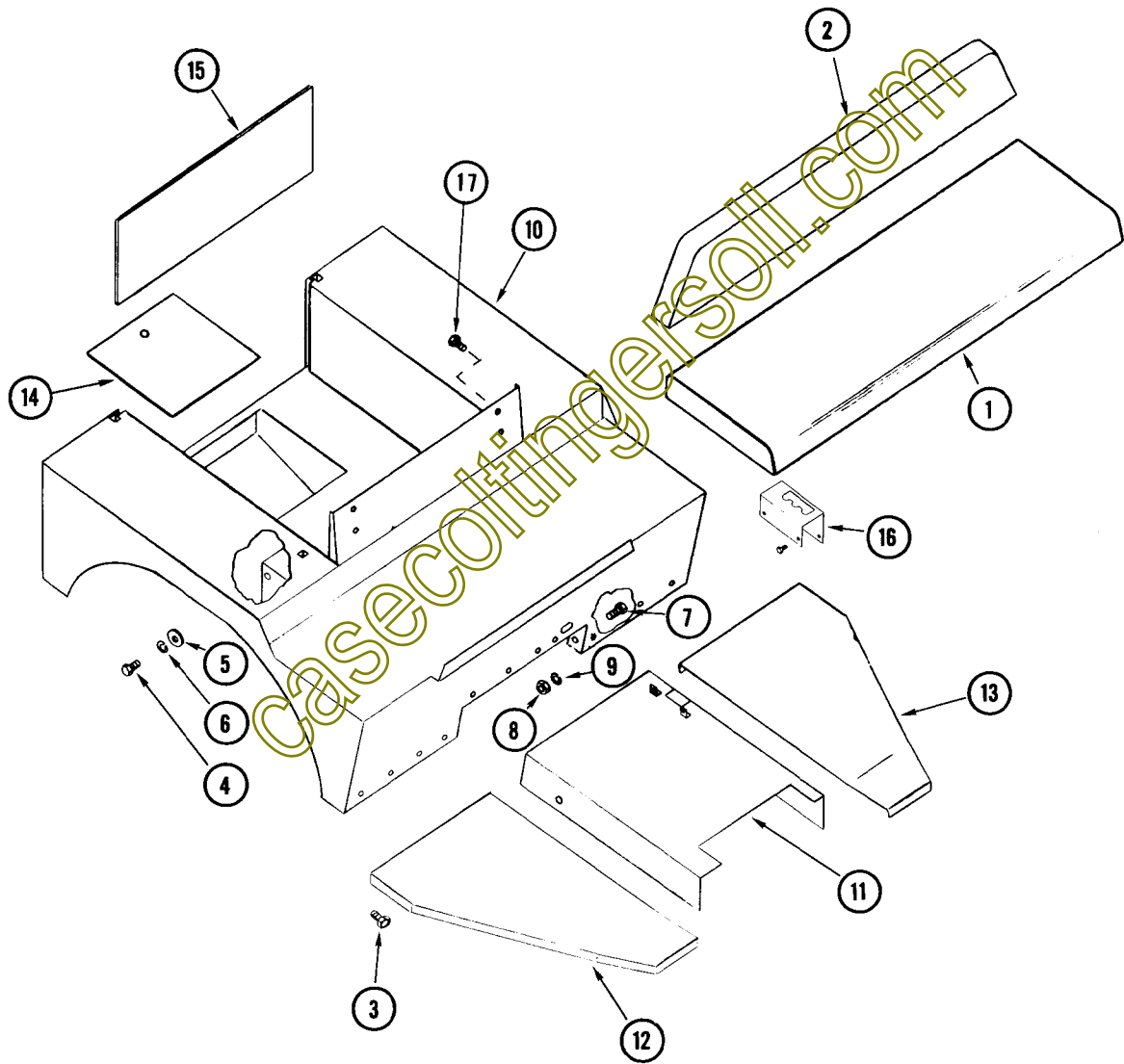
(See page 35, #A977 Parts Catalog)



## TRANSMISSION AND FINAL DRIVE

REF.	PART NO.	DESCRIPTION	REQ'D
	C 11562	SHAFT - axle, right hand (In place of C-10288) . . . . .	1
1	C 11286	COVER - transmission case (In place of C-10296) . . . . .	1
2	C 11055	LEVER - shift (In place of C-10254) . . . . .	1
3	138- 155	PIN - roll, 5/16" x 1-1/4" . . . . .	1
4	164- 39	CAPSCREW - 5/16"-18 x 5/8" F.H. hex socket . . . . .	8
5	C 10562	KNOB - shift lever . . . . .	1
6	C 10565	RING - star . . . . .	1
7	C 11585	PLUG - special socket head, 3/4 NPT . . . . .	1
8	C 11043	BELLCRANK . . . . .	1
9	C 11048	LEVER - shift weldment . . . . .	1
10	A 70055	JOINT - ball . . . . .	1
11	25- 118	NUT - 1/2"-20 N.F. . . . .	1
12	92- 8	LOCKWASHER - 1/2" SAE std. . . . .	1
13	C 10997	SPRING - extension . . . . .	1
14	141- 4	PIN - clevis . . . . .	1
15	132- 26	PIN - cotter, 3/32" x 3/4" . . . . .	2
16	C 11044	ROD - shift . . . . .	1
17	195- 104	WASHER - 3/8" SAE plain, plated . . . . .	1

(See page 33, #A977 Parts Catalog)



**SEAT, FENDERS AND TOOL BOX**

REF. PART NO.	DESCRIPTION	REQ'D
1 C 11569	CUSHION - seat . . . . .	1
2 C 11570	BACK - seat . . . . .	1
3 193- 517	SCREW - 1/4"-20 x 1/2" Hex Hd. w/lockwasher . . . . .	26
4 113- 424	BOLT - 1/2"-18 N.C., hex hd., plated . . . . .	4
5 195- 106	WASHER - flat, 1/2", plated . . . . .	4
6 192- 23	LOCKWASHER - 1/2" SAE, plated . . . . .	4
7 113- 207	BOLT - 3/8"-16" N.C. x 1", plated . . . . .	2
8 129- 103	NUT - 3/8"-16" N.C., plated . . . . .	2
9 192- 21	LOCKWASHER - 3/8" SAE plated . . . . .	2
10 C 11571	BODY - rear . . . . .	1
11 C 11572	COVER - center . . . . .	1
12 C 11573	PAD - foot, R. H. . . . .	1
13 C 11574	PAD - foot, L. H. . . . .	1
14 C 11575	COVER - tool box . . . . .	1
15 C 11576	GATE - tail assembly . . . . .	1
16 C 11530	LOCATOR - gear shift . . . . .	1
17 175- 400	SCREW - 1/4"-24 x 1/2" truss head, slotted . . . . .	4

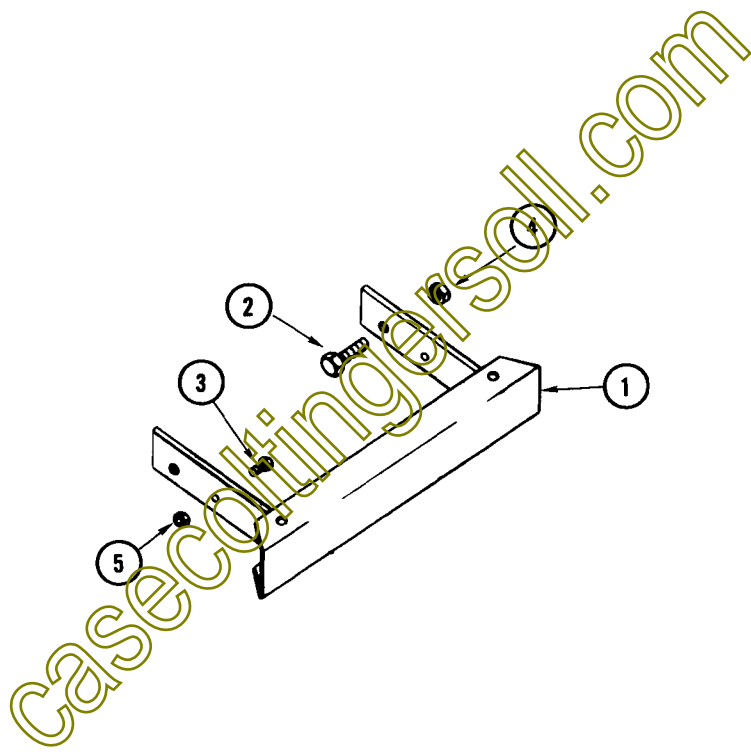
(See page 43, #A977 Parts Catalog)

**HYDRAULIC DRIVE MOTOR**

C 10415	MOTOR - hydraulic drive (In place of C-10270) . . . . .	1
C 11827	GEROTER SET - 1-1/2" thick (In place of A-72112) . . . . .	1
C 11828	SPACER - cplg. drv., 1" thick (In place of A-72113) . . . . .	1
166- 534	CAPSCREW - ferry, 5/16" x 2-3/4" N.F. (In place of 166-532) . . . . .	7

(See page 41, #A977 Parts Catalog)



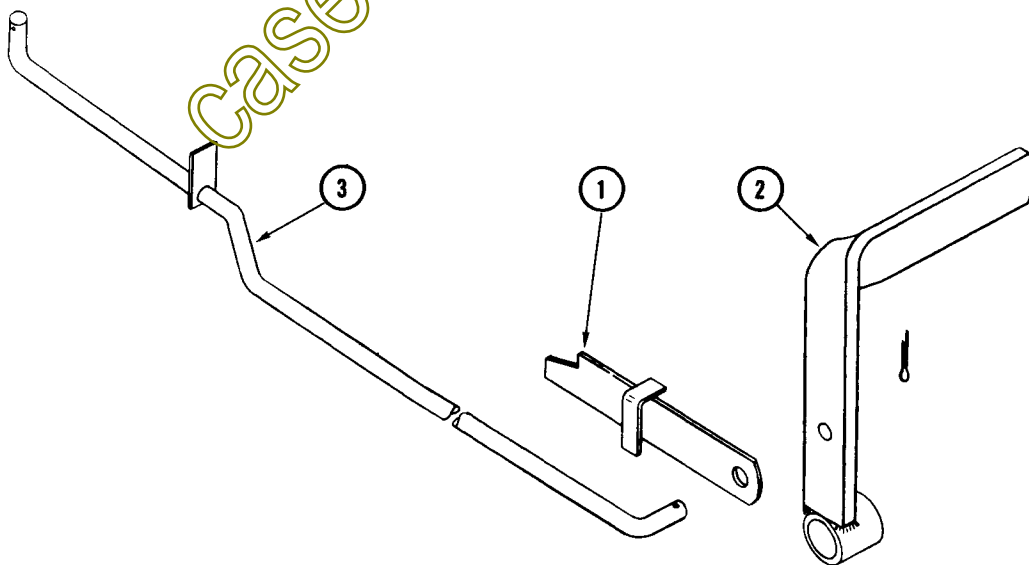
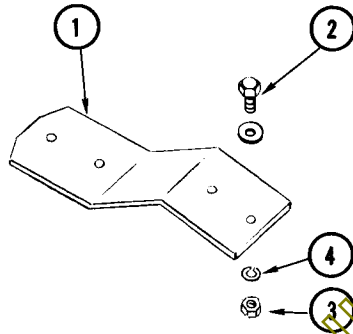


**HOOD, FRAME AND GRILLE**

REF. PART NO.	DESCRIPTION	REQ'D
C 11560	FRAME - (In place of C-11016).....	1
1 C 11267	BUMPER ASSEMBLY.....	1
2 115- 507	BOLT - 5/8-11 x 2" plated.....	2
3 115- 204	BOLT - 3/8-16 x 1" plated.....	2
4 131- 387	NUT - 5/8-11 self-locking.....	2
5 131- 590	NUT - 3/8-16 self-locking.....	2

(See page 45, #A977 Parts Catalog)

casecoltingersoll.com



casecoltingersoil.com

**DRAWBAR AND TOW HITCH**

REF. PART NO.	DESCRIPTION	REQ'D
1 C 11657	DRAWBAR - hitch (In place of C10449).....	1
2 113- 208	BOLT - 3/8"-16 x 1-1/4" N.C., plated.....	2
3 129- 103	NUT - 3/8"-16 N.C., plated.....	2
4 192- 21	LOCKWASHER - 3/8" SAE, plated.....	2

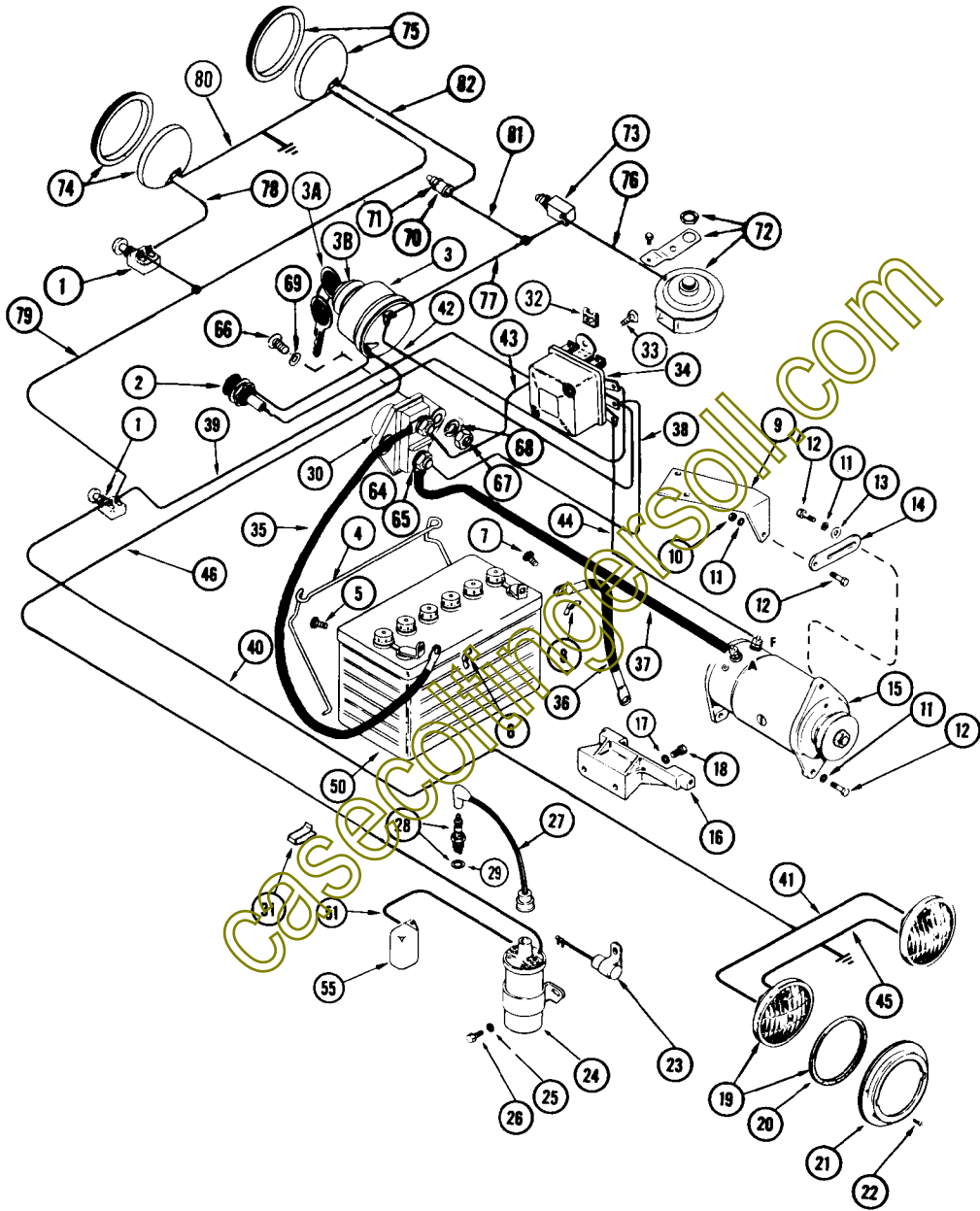
(See page 47, #A977 Parts Catalog)

**BRAKE**

1 C 11551	LOCK - brake.....	1
2 C 11553	PEDAL - brake (In place of C-10309).....	1
3 C 11559	ROD - brake.....	1

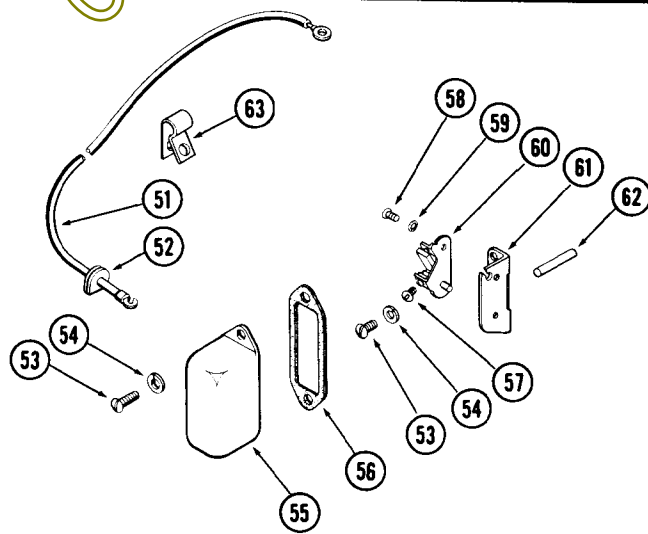
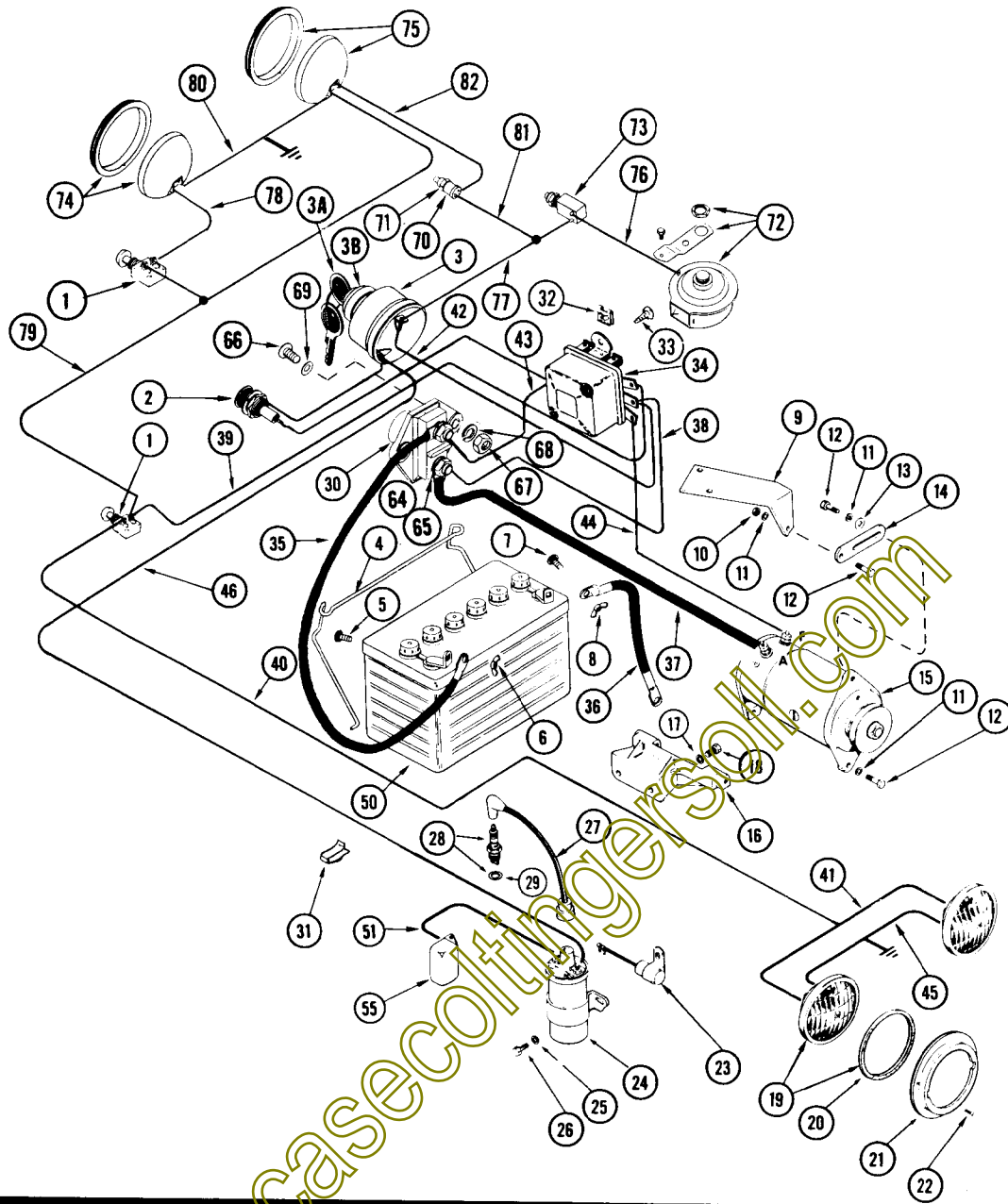
(See page 49, #A977 Parts Catalog)

casecoltingersoll.com



**ELECTRICAL WIRING AND HARDWARE**

REF.	PART NO.	DESCRIPTION	REQ'D
1	C 10474	SWITCH - light	1
2	C 12209	LIGHT - generator indicator (with leads)	1
3	C 11249	SWITCH - ignition (incl. key and nut)	1
3A	C 12684	KEY	2
3B	C 12683	NUT - switch	1
4	C 10549	STRAP - battery hold-down	1
5	11- 512	BOLT - carriage, battery positive	1
6	129- 419	NUT - wing, battery positive	1
7	11- 412	BOLT - carriage, battery negative	1
8	129- 409	NUT - wing, battery negative	1
9	KO235197	SUPPORT - starter generator adj. bracket	1
10	129- 102	NUT - 5/16" N.C. hex plated	4
11	192- 20	LOCKWASHER - 5/16" SAE std.	5
12	113- 113	BOLT - 5/16" x 1" N.C. hex head plated	3
13	195- 520	WASHER - 5/16" SAE plain	1
14	KO235203	BRACKET - adjusting, starter generator	1
15	A 70202	STARTER-GENERATOR - Delco No. Y101970	1
16	KO235196	SUPPORT - starter generator	1
17	192- 21	LOCKWASHER - 3/8" SAE std. plated	2
18	113- 221	BOLT - 3/8" x 7/8" N.C. hex head plated	2
19	A 24572	HEADLAMP - 12 volt	2
20	A 11276	GASKET - retainer ring	2
21	A 11275	RING - headlamp retainer	2
22	187- 1008	SCREW - #6 x 1/2" pan head self-tapping	6
23	KO230722	CONDENSER	1
24	KO231281	COIL - ignition	1
25	192- 19	LOCKWASHER - 1/4" plated	2
26	113- 1	BOLT - 1/4" x 1/2" N.C. hex head plated	2
27	KOA235095	CABLE - high tension	1
28	M 20007	SPARK PLUG - (includes gasket)	1
29	A 27251	GASKET - spark plug	1
30	C 11247	SWITCH - starter	1
31	C 10472	CLIP - wire holder	2
32	C 10836	NUT - speed type "U"	2
33	187- 131	SCREW - #10 x 1/2" flat head self-tapping	2



## ELECTRICAL WIRING AND HARDWARE

REF. PART NO.	DESCRIPTION	REQ'D
34 A 70221	REGULATOR - voltage, Delco No. 1118988.....	1
35 C 12197	CABLE - battery to starter button .....	1
36 C 12198	CABLE - battery to ground .....	1
37 C 12199	CABLE - starter button to generator .....	1
38 C 12193	WIRE - regulator ground to starter button, white, 12" .....	1
39 C 12194	WIRE - regulator to light switch, yellow, 19" .....	1
40 C 12269	WIRE - connector to lights, black .....	1
41 C 12270	WIRE - lights to connector. ....	1
42 C 12195	WIRE - ignition switch to regulator, red, 8-3/4" .....	1
43 C 12196	WIRE - regulator to starter button, black, 13" .....	1
44 C 12192	WIRE - regulator to generator, black, 17" .....	1
45 C 10985	WIRE ASSEMBLY - headlight to ground .....	1
46 C 10592	WIRE - ignition switch to coil, green, 36" .....	1
50 M 20164	BATTERY - 12 volt .....	1
51 KOA231533	LEAD - breaker contact (includes grommet) .....	1
52 KO220297	GROMMET - breaker contact lead .....	1
53 173- 210	SCREW - #10-24 x 3/8" rd. hd. plated .....	4
54 192- 18	LOCKWASHER - 3/16" plated .....	4
55 KO232535	COVER - breaker contact .....	1
56 KO220174	GASKET - cover, breaker contact .....	1
57 187- 408	SCREW - terminal, #6-32 x 3/8" self-tapping .....	1
58 173- 224	SCREW - breaker contact mtg. #8 x 1/4" N.C. rd. hd. ....	1
59 193- 5	LOCKWASHER - #8 (internal shakeproof) .....	1
60 KO220475	POINT SET - breaker contact .....	1
61 KO220476	BRACKET - mounting breaker contacts .....	1
62 KOX389-1	ROD - breaker contact push .....	1
63 KO275303	CLIP - breaker contact wire .....	1
64 124- 102	NUT - FHNUNC 5/16 plated .....	2
65 192- 20	LOCKWASHER - 5/16 SAE std. plated .....	2
66 175- 403	SCREW - 1/4" N.C. x 3/4" truss head plated .....	2
67 129- 101	NUT - 1/4" FHNUNC plated .....	2
68 192- 19	LOCKWASHER - 1/4" plated .....	2
69 195- 517	WASHER - plain 1/4" plated .....	1
70 C 11583	SWITCH - stop .....	1
71 129- 365	NUT - 1/2"-20 jam hex .....	2
72 A 19581	HORN - with nut and bracket .....	1
73 C 11584	SWITCH - horn .....	1
74 C 11254	LAMP - white, tail (with grommet - without plug and leads) .....	1
75 C 11255	LAMP - red, tail (with grommet - without plug and leads) .....	1
76 C 11609	WIRE - horn to button .....	1
77 C 11610	WIRE - horn button to starter switch .....	1
78 C 11611	WIRE - implement switch to implement light .....	1
79 C 11611	WIRE - headlight switch to tail light .....	1
80 C 11612	WIRE - implement light and tail light to ground .....	2
81 C 11613	WIRE - start switch to stoplight switch .....	1
82 C 11614	WIRE - stop switch to light .....	1



## NUMERICAL INDEX

PART NO.	PAGE NO.	REF. NO.	PART NO.	PAGE NO.	REF. NO.	PART NO.	PAGE NO.	REF. NO.	
A	11275	13	21	C	11657	11	1	166- 534	7
A	11276	13	20	C	11827	7		173- 210	15 53
A	19581	15	72	C	11828	7		173- 224	15 58
A	24572	13	19	C	12192	15	44	175- 400	3 5
A	27251	13	29	C	12193	15	38	175- 400	7 17
A	70055	5	10	C	12194	15	39	175- 403	15 66
A	70202	13	15	C	12195	15	42	187- 131	13 33
A	70221	15	34	C	12196	15	43	187- 408	15 57
C	10415	3		C	12197	15	35	187- 1008	13 22
C	10415	7		C	12198	15	36	192- 18	15 54
C	10472	13	31	C	12199	15	37	192- 19	13 25
C	10474	13	1	C	12209	13	2	192- 19	15 68
C	10549	13	4	C	12269	15	40	192- 20	13 11
C	10562	5	5	C	12270	15	41	192- 20	15 65
C	10565	5	6	C	12683	13	3B	192- 21	7 9
C	10592	15	46	C	12684	13	3A	192- 21	11 4
C	10836	13	32	KO	220174	15	56	192- 21	13 17
C	10985	15	45	KO	220297	15	52	192- 23	7 6
C	10997	5	13	KO	220475	15	60	193- 5	15 59
C	11035	3		KO	220476	15	61	193- 517	7 3
C	11036	3		KO	230722	13	23	195- 104	5 17
C	11037	3		KO	231281	13	24	195- 106	7 5
C	11038	3		KO	232535	15	55	195- 517	15 69
C	11043	5	8	KO	235196	13	16	195- 520	13 13
C	11044	5	16	KO	235197	13	9		
C	11048	5	9	KO	235203	13	14		
C	11055	5	2	KO	275303	15	63		
C	11247	13	30	KOA	231533	15	51		
C	11249	13	3	KOA	235095	13	27		
C	11254	15	74	KOX	389-1	15	62		
C	11255	15	75	M	20007	13	28		
C	11267	9	1	M	20164	15	50		
C	11277	3	4						
C	11286	5	1						
C	11530	7	16						
C	11551	11	1						
C	11553	11	2						
C	11554	3	1						
C	11555	3	2						
C	11556	3	3						
C	11559	11	3						
C	11560	9							
C	11562	5							
C	11569	7	1						
C	11570	7	2						
C	11571	7	10						
C	11572	7	11						
C	11573	7	12						
C	11574	7	13						
C	11575	7	14						
C	11576	7	15						
C	11583	15	70						
C	11584	15	73						
C	11585	5	7						
C	11609	15	76						
C	11610	15	77						
C	11611	15	78						
C	11611	15	79						
C	11612	15	80						
C	11613	15	81						
C	11614	15	82						

## HARDWARE CODE NUMBERS

11-	412	13	7
11-	512	13	5
25-	118	5	11
92-	8	5	12
113-	1	13	26
113-	113	13	12
113-	207	7	7
113-	208	11	2
113-	221	13	18
113-	424	7	4
115-	204	9	3
115-	507	9	2
124-	102	15	64
129-	101	15	67
129-	102	13	10
129-	103	7	8
129-	103	11	3
129-	365	15	71
129-	409	13	8
129-	419	13	6
131-	387	9	4
131-	590	9	5
132-	26	5	15
138-	155	5	3
141-	4	5	14
164-	39	5	4

*Be Safe...*

*Insist on*  
**GENUINE**



**PARTS!**