



HOME

TRACTORS

ATTACHMENTS

PAINT

GENERAL INFO

ALPHABETICAL INDEX

Body, Hopper and Shredder Hammers5
 Chipper Assembly7
 Trailer and Wheels (HS24W, AHS24W)9
 Frame and Legs (HS24H, AH24H)11
 Hydraulic System 13-15
 Hydraulic Motor17
 Decals19



APPLICATION CHART

TRACTOR MODEL	ATTACHMENT MODEL
3118, 4116, 4118, 4120	AHS24W, AHS24H *
3010, 3012, 3014, 3016, 3018, 3020	HS24W, HS24H *
4014, 4016, 4018, 4020	(See Note below)

* Also requires 3 point hitch

NOTE: Early tractor models require case drain kits. Current models require coupling kits.
(See Whole Goods Price List.)

casecoltingersoll.com

INDEX

There is an index at the front of this catalog. The front index is an alphabetical index of the major groups or assemblies.

ILLUSTRATION

Each illustration in this catalog shows a group of parts or components. These parts and components are aligned approximately as the parts and components on your machine. Each part and component in an illustration has a reference number. These reference numbers are in a list on the page opposite of the illustration. Next to the reference number is the part number, description and required quantity of the part shown in the illustration.

UAR - "Use as required" indicates that the part quantity is variable.

NSS - "Not sold separately" indicates that the part is only available as component of an assembly or the part must be purchased locally. If the part is an assembly component, the description will be indented under the assembly description in the parts list.

O/L - "Obtain locally"

- "Footnotes" are added to a part number when more information is needed for identification. They only relate to the part numbers indicated. All orders must include the following information:

1. Correct part number.

PARTS ORDERS

2. Complete description of part or component.
3. Total quantity of each part or component.
4. Product model number.
5. All necessary product identification numbers.
6. Method for sending the parts.
7. Complete and correct address.

CATALOG REVISIONS

As the product changes, new pages will be available for your catalog. A notice will be issued.

IMPORTANT: Put all revisions into the catalog as soon as possible.

RIGHT HAND AND LEFT HAND IDENTIFICATION

The words right hand (RH) and left hand (LH) as used in this catalog indicate the direction while you are in the operator's seat in the normal operating position.

INDENTED DESCRIPTIONS

An assembly can have many components. The components of an assembly are indicated by an indented description. The quantity for an indented part is the total needed for that complete assembly. See the example.

REF.	PART NO.	DESCRIPTION	REQ'D
	C 55159	CYLINDER ASSY - rear steering	1
28	C 56208	SOCKET ASSY - rear cylinder	1
29	C 55956	PLUG - adjusting, socket assy	1
30	C 55957	SEAT- socket, ball.....	2
31	C 56210	SPRING-socket	1
32	C 56209	SEAT - socket spring	1
33	G 45175	CLAMP ASSY - socket assy	1
	16- 836	BOLT-1/2"x2-1/4" N.F. hex.....	1
34	132- 104	PIN-cotter, 3/16"x3"	1
35	C 55889	STUD - ball, socket & cylinder	2
36	13- 410	BOLT-1/4"x5/8"N.C.,hex	4
37	92- 4	LOCK WASHER - 1/4"SAE	4

INDEX

PAINT AND OIL

PAINT

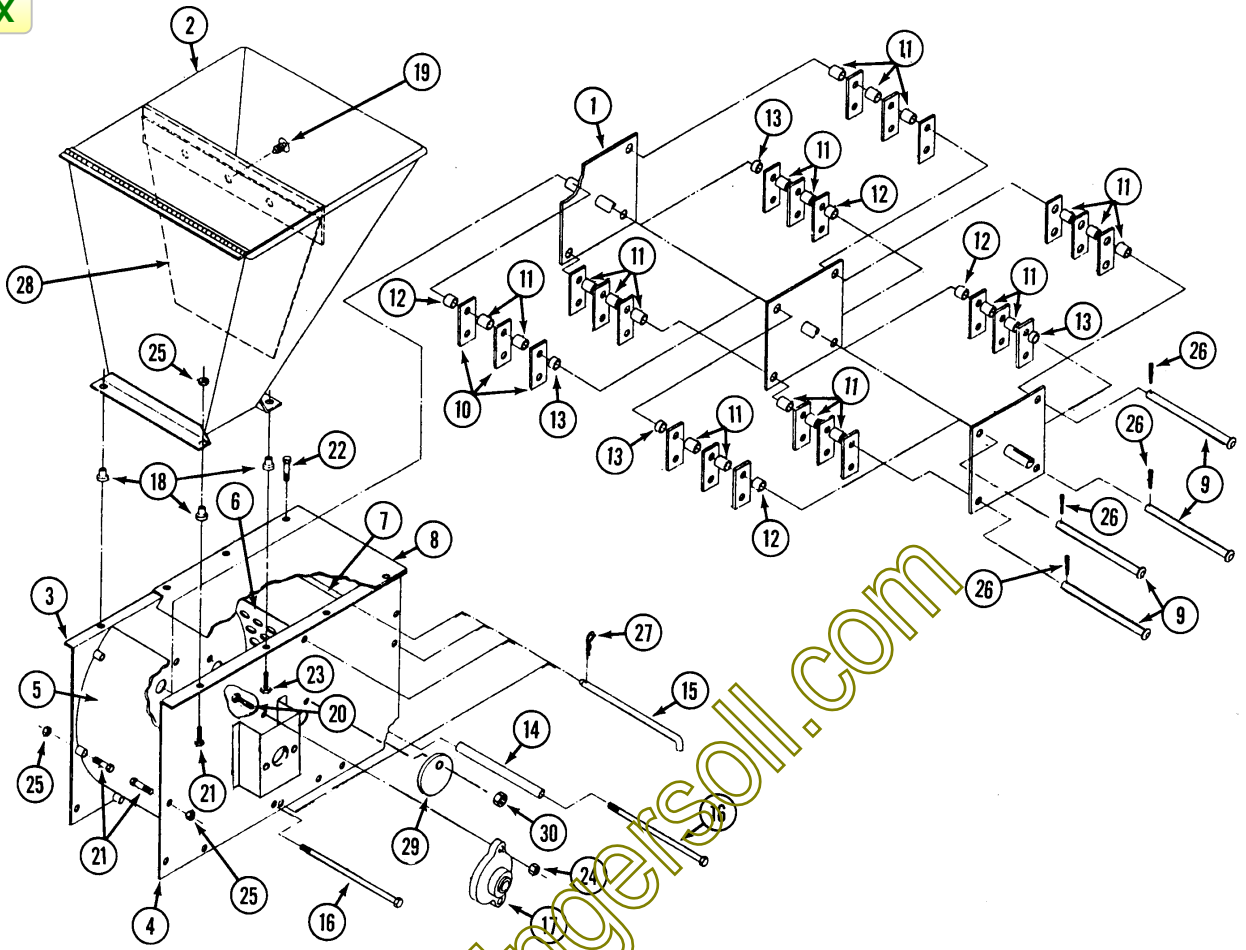
REF.	PART NO.	DESCRIPTION	REQ'D
1	C 28849	BLACK - semi - gloss, 12 oz spray (2 per carton)	1
2	C 28850	BLACK - semi - gloss, quart (2 per carton)	1
3	C 28850	BLACK - semi - gloss, heat resistant, 12 oz spray (2 per carton)	1
4	C 28484	POWER RED - gloss, 12 oz spray (2 per carton)	1
5	C 28485	POWER RED - gloss, quart (2 per carton)	1
6	C 30870	SILVER - gloss, 12 oz. spray (2 per carton)	1
7	C 31643	POWER RED - gloss, 1 oz touch up, (1 doz. per carton)	1

OIL

1	C 32776	OIL - SAE 30, SF, quart (12 per case)	1
2	C 32777	OIL - SAE 5W20, SF, quart (12 per case)	1
3	C 32778	OIL - SAE 20W40, SF, quart (12 per case)	1

casecoltingersoll.com

INDEX

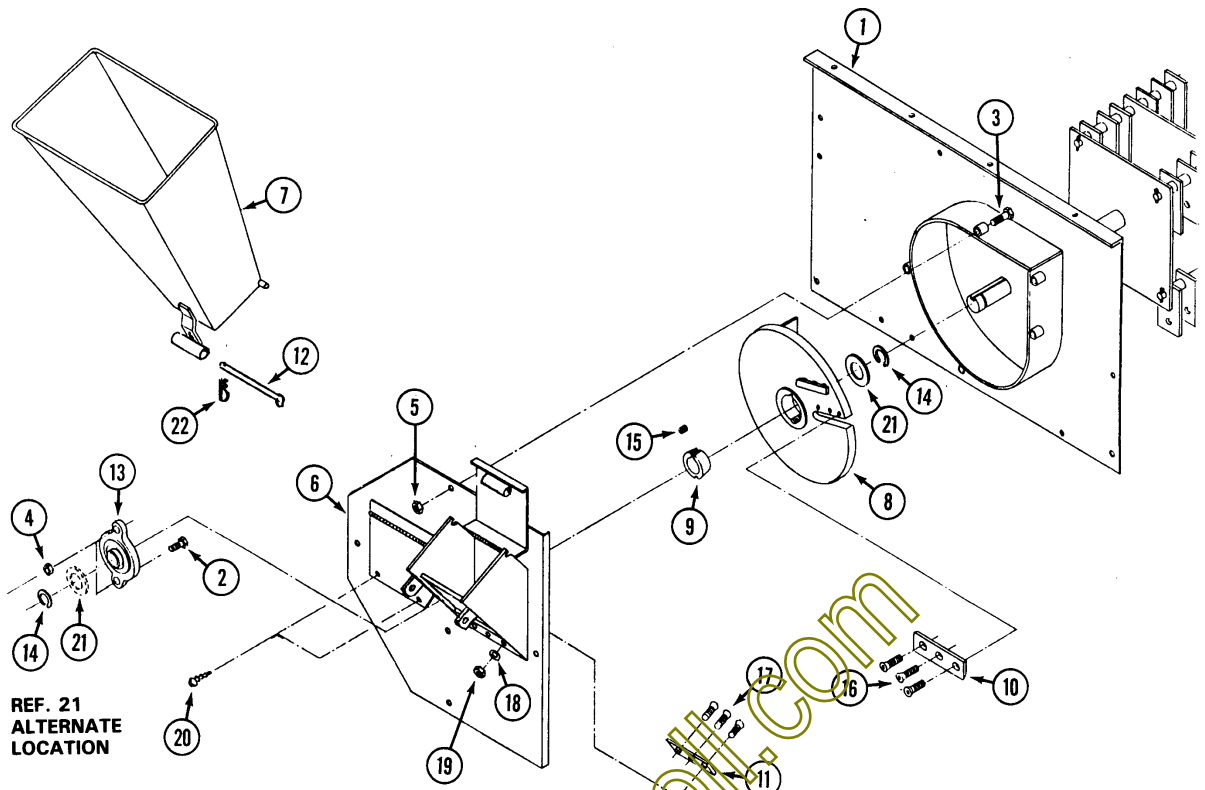


BODY, HOPPER AND SHREDDER HAMMERS

REF.	PART NO.	DESCRIPTION	REQ'D
1	C34556	ROTOR - hammer	1
2	C37363	HOPPER	1
3	C34557	PLATE - chipper side	1
4	C34558	PLATE - drive side	1
5	C34559	SCROLL	1
6	C37354	SCREEN - 1" standard	1
7	C37356	PLATE - baffle	1
8	C34560	PLATE - top	1
9	C34561	ROD - hammer	4
10	C34562	HAMMER	24
11	C34563	SPACER - 7/8'	20
12	C34564	SPACER - 5/8"	4
13	C34565	SPACER - 5/16"	4
14	C34566	SPACER - body	1
15	C37355	ROD - screen and baffle	4
16	C34567	ROD - tie, body	2
17	C34568	BEARING - drive side	1
18	C37367	DAMPENER - vibration	4
19	C37366	FASTENER - push	2
20	113-207	BOLT - 3/8" - 16 x 1"	2
21	113-104	BOLT - 5/16" - 18 x 1-1/4"	8
22	113-102	BOLT - 5/16" - 18 x 3/4"	4
23	113-122	BOLT - 5/16" - 18 x 1-1/2"	2
24	131-178	NUT - lock 3/8" - 16	5
25	131-176	NUT-lock 5/16"-18	12
26	C34573	PIN - groove	4
27	C16450	PIN - cotter, hair	4
28	C37364	GUARD - flex, hopper	1
29	C37357	PLATE - cover	1
30	131-911	NUT - 5/16" - 18 flange lock	1

casecoltingersoll.com

INDEX



casecoltingerson.com

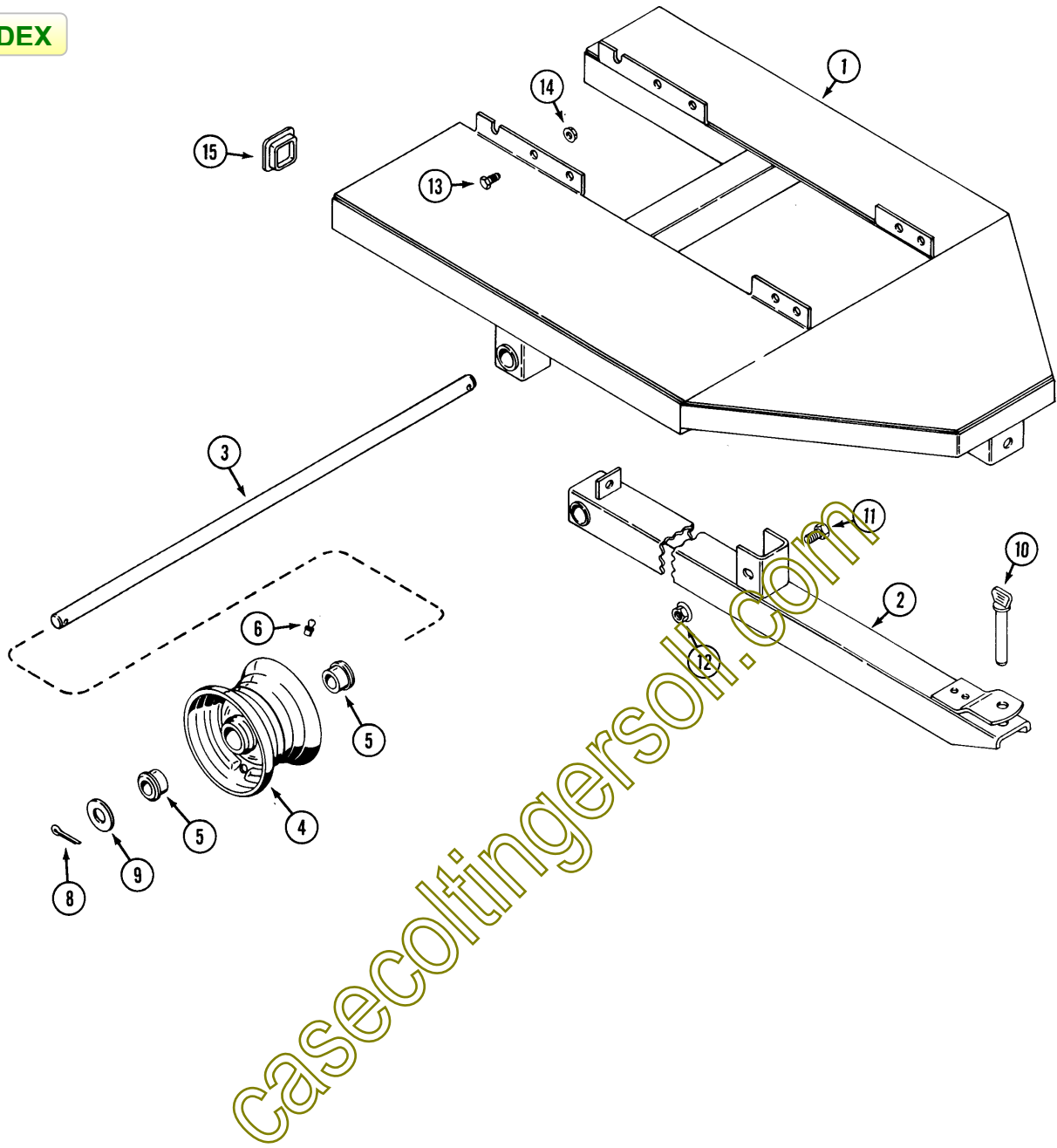
INDEX

CHIPPER ASSEMBLY

REF.	PART NO.	DESCRIPTION	REQ'D
1	C34557	PLATE - chipper side	1
2	113-208	BOLT - 3/8" - 16 x 1-1/4"	2
3	113-104	BOLT - 5/16" - 18 x 1-1/4"	2
4	131-178	NUT - lock 3/8" - 16	2
5	131-176	NUT - lock 5/16" - 18	5
6	C34580	PLATE - chipper cover	1
7	C37358	HOPPER - chipper	1
8	C34569	DISC - chipper	1
9	C34570	BUSHING	1
10	C34571	KNIFE	1
11	C34572	PLATE - wear	1
12	C37020	PIN - chipper cover	1
13	C34574	BEARING	1
14	C34576	RING - retaining	2
15	C34577	SCREW - set 3/8" - 16 x 5/8"	2
16	164-40	BOLT - 5/16" - 18 x 3/4"	3
17	C34578	SCREW - socket head 1/4" - 20 x 1"	3
18	195-518	WASHER - 1/4"	3
19	131-1102	NUT - lock 1/4" - 20	3
20	C34579	SCREW - sheet metal #6 - 32 x 3/8"	2
21	195-2134	WASHER - 1-3/16"	1
22	C29029	PIN - hair	1

casecoltingersoll.com

INDEX



INDEX

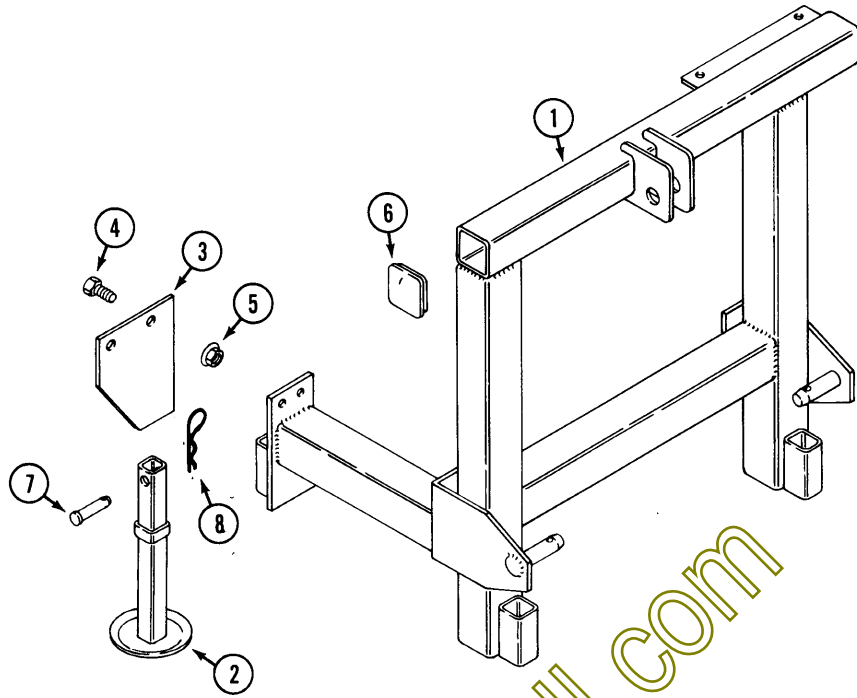
TRAILER AND WHEELS

REF.	PART NO.	DESCRIPTION	REQ'D
1	C37001	FRAME - trailer	1
2	C36950	TONGUE	1
3	C44373	SHAFT - axle.....	1
4	C30928	RIM - wheel	2
5	C14221	BEARING	2
6	219-10	FITTING - lubrication.....	1
8	132-306	PIN - cotter - 3/16" x 1-3/4"	2
9	195-553	WASHER - 1" x 2"	2
10	C10888	PIN - hitch.....	1
11	113-206	BOLT - 3/8" - 16 x 3/4"	3
12	131-938	NUT - 3/8" - 16 flange lock	3
13	113-102	BOLT - 5/16" - 18 x 3/4"	8
14	131-911	NUT - 5/16" - 18 flange lock	8
15	C37368	CAP - tube.....	2

NOTE - Obtain tires locally.

casecoltingersoll.com

INDEX



casecoltingersoll.com

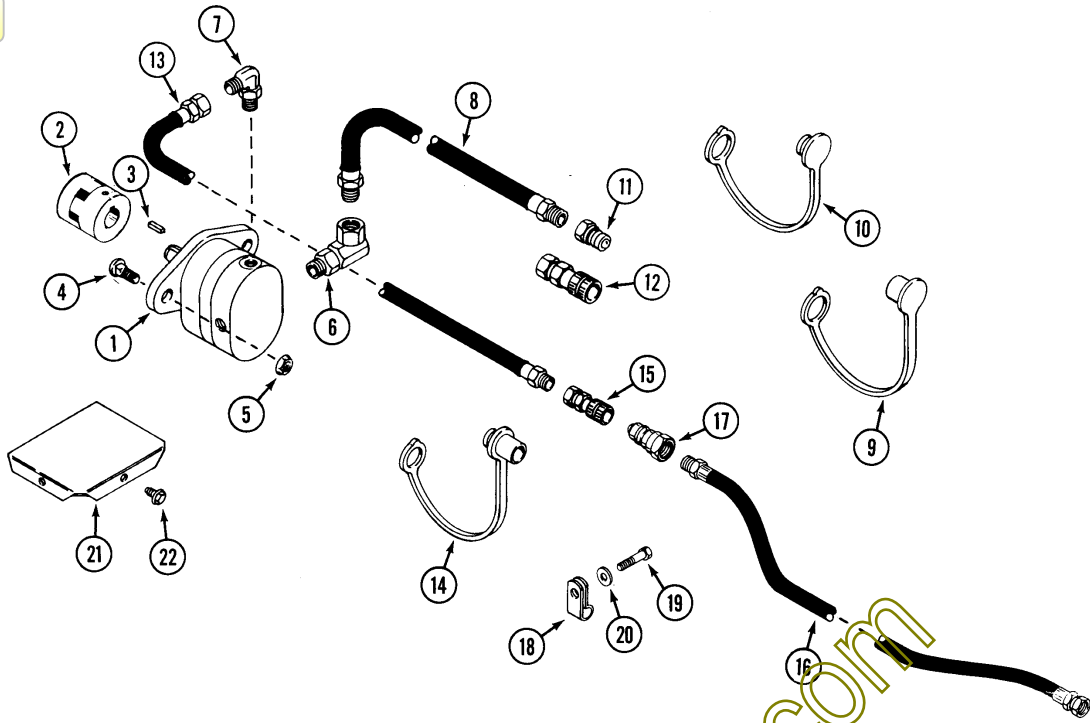
INDEX

FRAME AND LEGS

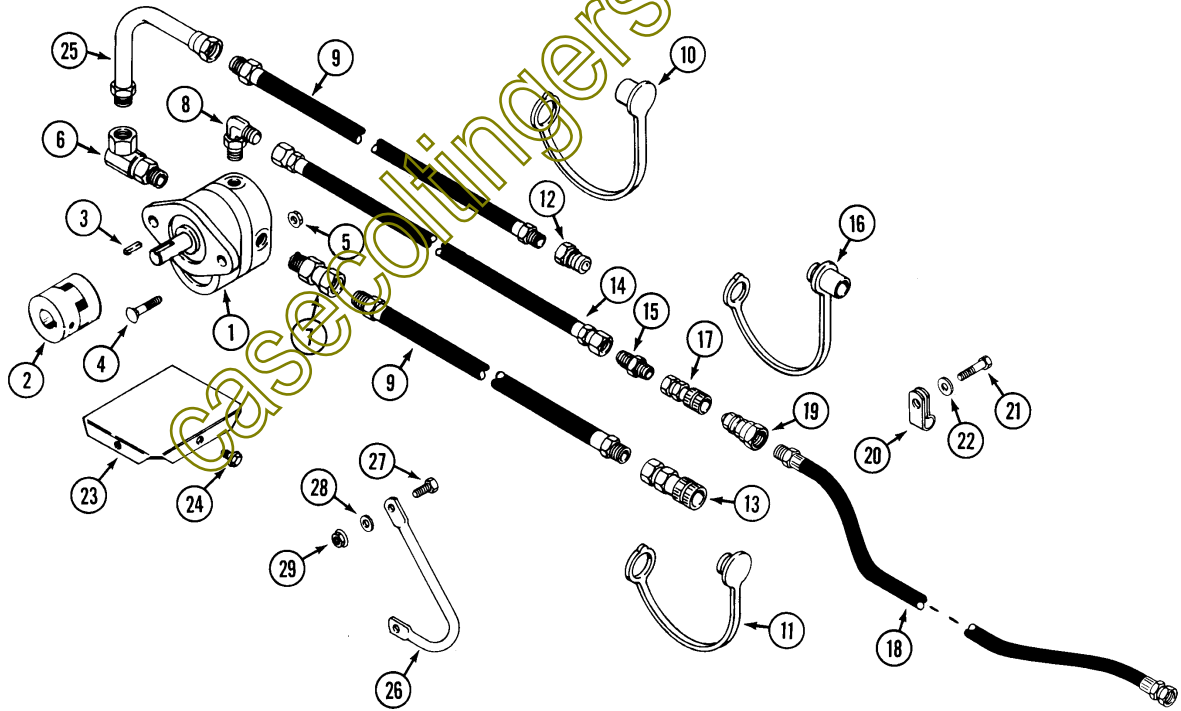
REF.	PART NO.	DESCRIPTION	REQ'D
1	C37179	FRAME - hitch.....	1
2	C37184	LEG - rear (shown).....	2
2	C37182	LEG - front.....	2
3	C37186	BRACKET - mounting, rear leg L.H.....	1
4	113-118	BOLT - 5/16" - 18 x 5/8".....	7
5	131-911	NUT - 5/16" - 18 flange lock.....	7
6	C37368	CAP - tube.....	2
7	C32214	PIN - clevis.....	4
8	C16450	PIN - hair.....	4

casecoltingersoll.com

INDEX



INDEX



INDEX

HYDRAULIC SYSTEM (HS24H, AHS24H)

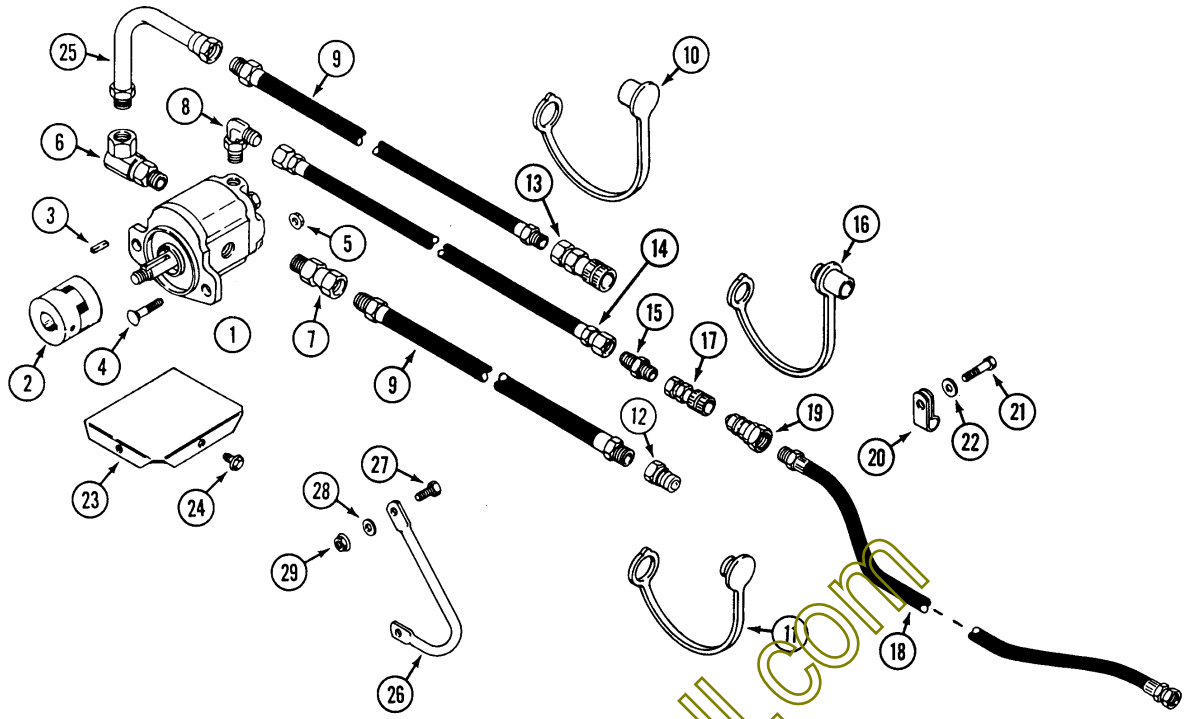
REF.	PART NO.	DESCRIPTION	REQ'D
1	NSS	MOTOR - hydraulic (HS24H) see page 17 for repairs	1
1	NSS	MOTOR - hydraulic (AHS24H) see page 17 for repairs	1
2	C46056	COUPLING - drive.....	1
	C33268	INSERT - rubber.....	1
	C32199	SCREW - set 5/16" - 18 x 5/16".....	3
3	C31976	KEY - 1/4" square, 1-1/4" long.....	1
4	111-366	BOLT - 3/8" - 16 x 1-1/4" carriage.....	2
5	131-1352	NUT - 3/8" - 16 flange lock.....	2
6	218-5201	FITTING - motor, main ports (includes 218-5007 "O" ring).....	2
7	218-5105	FITTING - case drain (includes 218-5005 "O" ring).....	1
8	C42496	HOSE - hydraulic 1/2" x 27".....	2
9	C40641	CAP - dust.....	1
10	C40642	PLUG - dust.....	1
11	C37187	COUPLING - quick, male.....	1
12	C37188	COUPLING - quick, female.....	1
13	C42497	HOSE - hydraulic 1/4" x 21".....	1
14	C33404	CAP/PLUG - dust, case drain couplings.....	UAR
15	C41044	COUPLING - quick, female, case drain.....	1
16	C33864	HOSE - hydraulic 1/4" x 42" (HS24H).....	1
17	C41043	COUPLING - quick, male (HS24H) case drain.....	1
18	C33218	CLAMP - hose (HS24H).....	1
19	113-132	BOLT - 1/4" - 20 x 1-3/4" (HS24H).....	1
20	195-518	WASHER - 1/4" (HS24H).....	1
21	C37003	COVER - motor.....	1
22	187-1036	SCREW - 1/4" - 20 x 1/2" self tap.....	3

INDEX

**HYDRAULIC SYSTEM (HS24W, AHS24W)
(Before PIN 070604013)**

1	NSS	MOTOR - hydraulic (HS24W) repairs page 17 (Danfoss).....	1
1	NSS	MOTOR - hydraulic (AHS24W) repairs page 17 (Danfoss).....	1
2	C46056	COUPLING - drive.....	1
	C33268	INSERT - rubber.....	1
	C32199	SCREW - set 5/16" - 18 x 5/16".....	3
3	C31976	KEY - 1/4" square, 1-1/4" long.....	1
4	111-366	BOLT - 3/8" - 16 x 1-1/4" carriage.....	2
5	131-1352	NUT - 3/8" - 16 flange lock.....	2
6	218-5201	FITTING - 90° inlet (includes 218-5007 "O" ring).....	1
7	218-5251	FITTING - outlet (includes 218-5007 "O" ring).....	1
8	218-5105	FITTING - 90° case drain (includes 218-5005 "O" ring).....	1
9	C40724	HOSE - hydraulic 1/2" x 56".....	2
10	C40641	CAP - dust.....	1
11	C40642	PLUG - dust.....	1
12	C37187	COUPLING - quick, male.....	1
13	C37188	COUPLING - quick, female.....	1
14	C37394	HOSE - hydraulic 1/4" x 51".....	1
15	218-443	FITTING.....	1
16	C33404	CAP/PLUG - dust, case drain couplings.....	UAR
17	C41 044	COUPLING - quick, female.....	1
18	C33864	HOSE - hydraulic 1/4" x 42" (HS24W).....	1
19	C41 043	COUPLING - quick, male (HS24W).....	1
20	C33218	CLAMP - hose (HS24W).....	1
21	113-132	BOLT - 1/4" - 20 x 1-3/4" (HS24W).....	1
22	195-518	WASHER - 1/4" (HS24W).....	1
23	C37003	COVER - motor.....	1
24	187-1036	SCREW - 1/4" - 20 X 1/2" self tap.....	3
25	C29882	TUBE - inlet.....	1
26	C42191	RETAINER - hose.....	1
27	113-102	BOLT - 5/16" - 18 x 3/4".....	1
28	195-521	WASHER - 5/16".....	1
29	131-911	NUT - 5/16" - 18.....	1

INDEX



casecoltingersoll.com

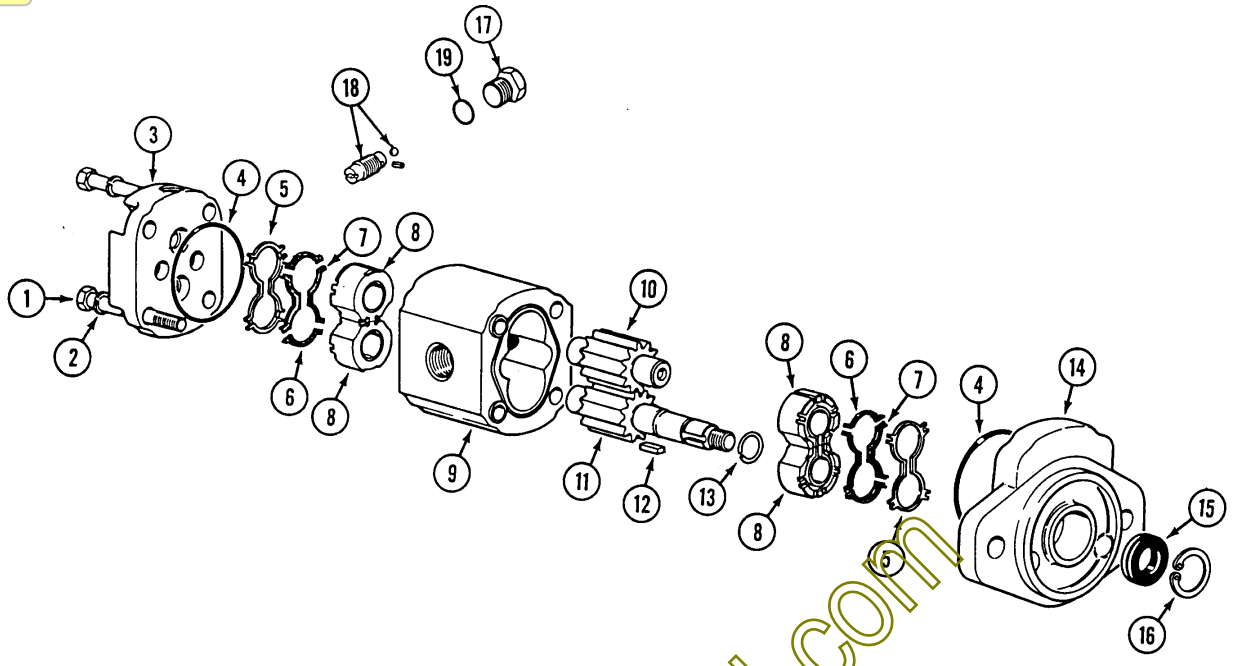
INDEX

**HYDRAULIC SYSTEM (HS24W, AHS24W)
(Use PIN 070604013 and after)**

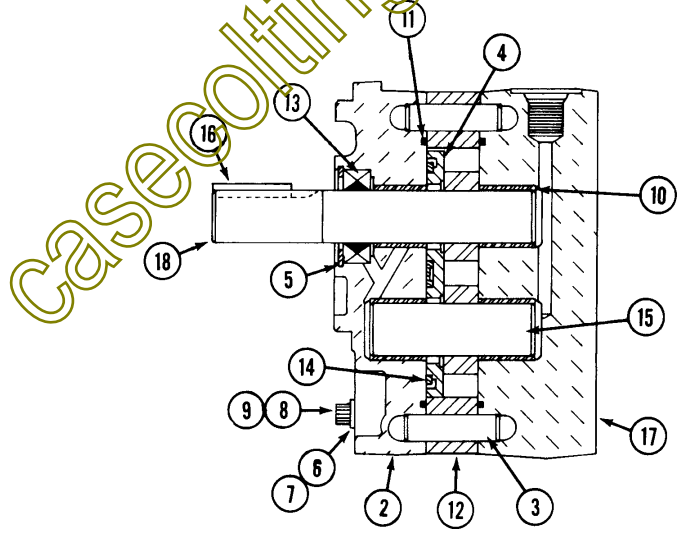
REF.	PART NO.	DESCRIPTION	REQ'D
1	C46234	MOTOR - hydraulic (HS24W) repairs page 17	1
1	C46236	MOTOR - hydraulic (AHS24W) repairs page 17	1
2	C46355	COUPLING - drive	1
	C33268	INSERT-rubber	1
	C32199	SCREW - set 5/16" - 18 x 5/16"	4
3	C31976	KEY - 1/4" square, 1-1/4" long	1
4	111-366	BOLT - 3/8" - 16 x 1-1/4" carriage	2
5	131-1352	NUT - 3/8" - 16 flange lock	2
6	218-5201	FITTING - 90° inlet (includes 218-5007 "O" ring).....	1
7	218-5251	FITTING - outlet (includes 218-5007 "O" ring).....	1
8	218-5105	FITTING - 90° case drain (includes 218-5005 "O" ring).....	1
9	C40724	HOSE - hydraulic 1/2" x 56"	2
10	C40641	CAP - dust	1
11	C40642	PLUG - dust	1
12	C37187	COUPLING - quick, male	1
13	C37188	COUPLING - quick, female	1
14	C37394	HOSE - hydraulic 1/4" x 51"	1
15	218-443	FITTING	1
16	C33404	CAP/PLUG - dust, case drain couplings	UAR
17	C41044	COUPLING - quick, female	1
18	C33864	HOSE - hydraulic 1/4" x 42" (HS24W)	1
19	C41043	COUPLING - quick, male (HS24W)	1
20	C33218	CLAMP - hose (HS24W)	1
21	113-132	BOLT - 1/4" - 20 x 1-3/4" (HS24W)	1
22	195-518	WASHER - 1/4" (HS24W)	1
23	C37003	COVER - motor	1
24	187-1036	SCREW - 1/4" - 20 x 1/2" self tap	3
25	C29882	TUBE - inlet	1
26	C42191	RETAINER - hose	1
27	113-102	BOLT - 5/16" - 18 x 3/4"	1
28	195-521	WASHER - 5/16"	1
29	131-911	NUT - 5/16" - 18	1

casecoilingersoil.com

INDEX



INDEX



INDEX

**HYDRAULIC MOTOR
(ULTRA)**

REF.	PART NO.	DESCRIPTION	REQ'D
	C46236	MOTOR - hydraulic (ultra) AHS24W	1
	C46234	MOTOR - hydraulic (ultra) HS24W	1
1	NSS	BOLT	4
2	NSS	LOCKWASHER.....	4
3	NSS	COVER - end	1
4	NSS	"O" RING - body (included in seal kit)	2
5	NSS	SEAL - backup (included in seal kit)	2
6	NSS	SEALS - bushings (included in seal kit)	4
7	NSS	SEALS - bushings (included in seal kit)	4
8	NSS	BUSHING	4
9	NSS	BODY	1
10	NSS	GEAR - driven	1
11	NSS	SHAFT AND GEAR - drive.....	1
12	C46237	KEY - square 3/16" x 3/4" (included in seal kit)	1
13	NSS	RING - retaining (included in seal kit)	1
14	NSS	FLANGE - mounting.....	1
15	C43748	SEAL - oil (included in seal kit)	1
16	NSS	RING - retaining (included in seal kit)	1
17	NSS	CAP - check valve.....	1
18	NSS	VALVE - check	1
19	NSS	"O" RING - cap (included in seal kit)	1
	C43747	KIT - seal	1

INDEX

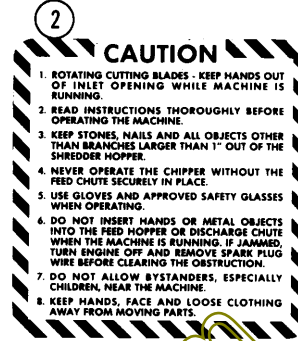
**HYDRAULIC MOTOR
(DANFOSS)**

REF.	PART NO.	DESCRIPTION	REQ'D
1	NSS*	MOTOR - hydraulic	1
2	NSS	BODY - motor, drive end	1
3	NSS	PIN - dowel	2
4	NSS	PLATE - wear	1
5	C40807	RING - retainer	1
6	C40808	WASHER - 5/16"	4
7	C40809	WASHER - 3/8"	4
8	C40810	SCREW - socket head 5/16" - 18	4
9	C40811	SCREW - socket head 3/8" - 16	4
10	NSS	BEARING	4
11	C40813	SEAL-ring	2
12	NSS	PLATE - gear	1
13	C40815	SEAL - oil.....	1
14	NSS	SEAL - load	1
15	NSS	SHAFT AND GEAR - driven.....	1
16	C40818	KEY - square 3/16" x 1.12"	1
17	NSS	COVER - rear	1
	C40820	PLUG - small (not shown)	2
	C40821	CARTRIDGE - check.....	1
	C40822	PLUG - large (not shown).....	1
18	NSS	SHAFT AND GEAR - drive.....	1

* HS24W, HS24H use C46212 Kit

AHS24W, AHS24H use C46215 kit

DECALS



4

INGERSOLL

REF.	PART NO.	DESCRIPTION	REQ'D
1	C37360	DECAL - rotating blades	1
2	C37361	DECAL - "caution", small	2
3	C37362	DECAL - "caution", large	1
4	C31050	DECAL - "INGERSOLL"	2

casecoltingersoll.com