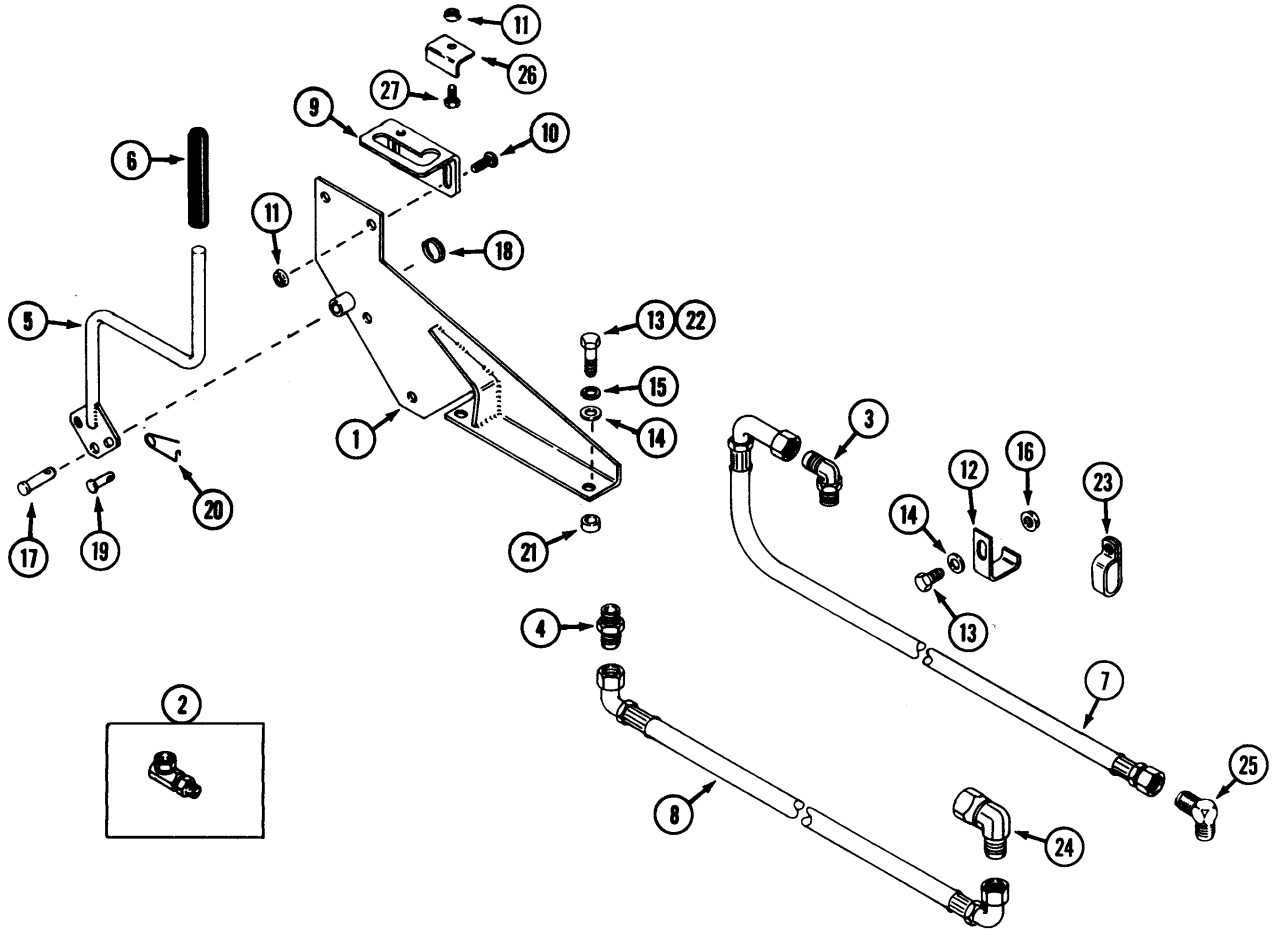
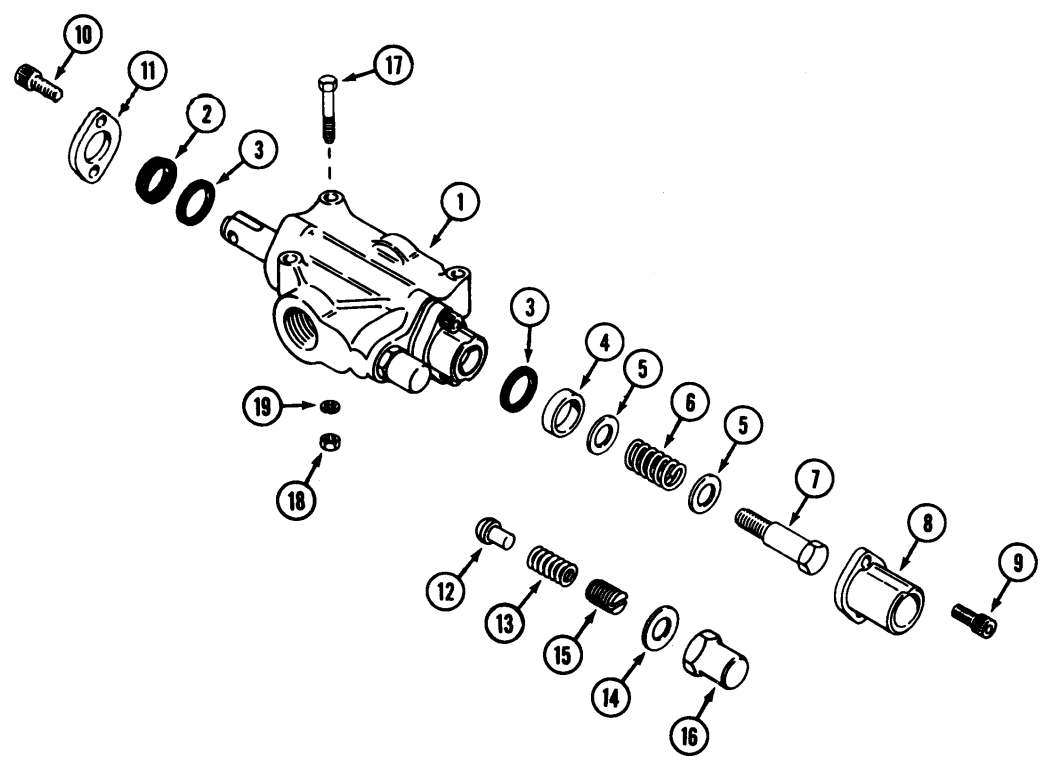


INDEX

HP31 AND HP41 HYDRAULIC PTO KIT



INDEX



**HP31 HYDRAULIC PTO (3016PS) (3018PS before PIN 14181900)
HP41 HYDRAULIC PTO (4016, 4016PS) (4020PS before PIN 14184000)**

INDEX

PTO HOSES AND MOUNTING BRACKET

REF.	PARTNO.	DESCRIPTION	REQ'D
1	C32200	BRACKET - valve mounting.....	1
2	218-5201	FITTING – work port, 90° elbow 7/8” – 14 x 1/2” NPSM swivel	2
3	218-5107	FITTING - inlet port, 7/8” - 14 x 7/8” - 14 flare, 90° adjustable elbow.....	1
4	218-5062	FITTING - outlet port, 7/8” - 14 x 7/8” - 14 flare, straight.....	1
5	C32403	HANDLE - valve.....	1
6	C26020	GRIP - handle	1
7	C34179	HOSE – pump to PTO 46-1/4” (HP31).....	1
7,	C34180	HOSE – pump to PTO 39” (HP41)	1
8	C32209	HOSE - PTO to travel valve 32” (H P31).....	1
8	C32210	HOSE - PTO to travel valve 34” (H P41).....	1
9	C32211	BRACKET - handle guide	1
10	111-101	BOLT - 1/4” – 20 x 5/8” carriage	2
11	131-934	NUT - 1/4” – 20 flangelock	2
12	C32332	CLAMP – tube (HP31)	1
13	113-103	BOLT - 5/16” – 18 x 1”	3
14	195-521	WASHER - 5/16”.....	3
15	192-20	LOCKWASHER - 5/16”.....	2
16	131-911	NUT - 5/16” - 18 flangelock	1
17	C32214	PIN – clevis 3/8” x 1-1/2”.....	1
18	C28105	RING - retaining.....	1
19	C28964	PIN – clevis 3/16” x 1”.....	1
20	C10883	PIN - safety.....	1
21	C29106	SPACER - 3/8” I.D. x 5/8” O.D. x 5/8” long (HP31).....	2
22	113-122	BOLT - 5/16” – 18 x 1-1/2” (HP31).....	2
23	C32213	CLAMP – tube (HP41)	1
24	218-5232	FITTING - 90° swivel bow 7/8” - 14.....	1
25	218-475	FITTING - 90° elbow 7/8” - 14.....	1
26	C32327	BRACKET - handle stop	1
27	113-3	BOLT - 1/4” – 20 x 3/4”	1
	C22947	TIE - nylon	1

INDEX

PTO VALVE

1	C30046	VALVE - hydraulic.....	1
2	C26706	WIPER - spool	1
3	C26707	RING - quad.....	2
4	C26722	SPACER - end cap	1
5	195-526	WASHER	2
6	C26724	SPRING - centering	1
7	C26725	BOLT - shoulder	1
8	C26726	BONNET - end cap	1
9	165-143	SCREW - 1/4” – 20 x 3/4” socket head.....	2
10	165-142	SCREW - 1/4” - 20 x 5/8” socket head.....	2
11	C26727	RETAINER - seal.....	1
12	C26708	POPPET - relief	1
13	C26709	SPRING - relief	1
14	C26710	WASHER - aluminum, seal.....	1
15	C26711	SCREW - adjustment, relief	1
16	C26712	NUT - cap, relief.....	1
17	113-5	BOLT - 1/4” x 1-1/2”.....	3
18	129-101	NUT - 1/4”.....	3
19	192-19	LOCKWASHER - 1/4”	3