



Ingersoll

HYDRAULIC BLOWER
B98, B98-3, B98-B
PARTS CATALOG 8-2963

NOTE: This catalog replaces catalog 8-2961

HOME

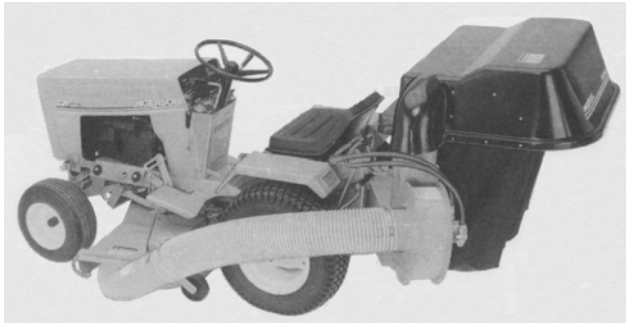
TRACTORS

ATTACHMENTS

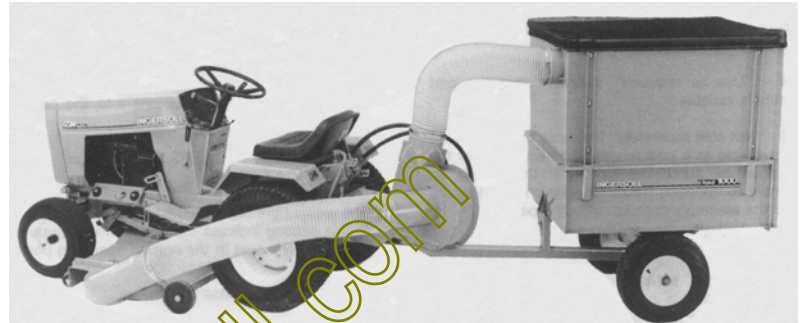
INDEX

PAINT

GENERAL INFO



B98-B



B98

APPLICATION CHART

Tractor	Hydraulic Blower	Mower *	Hydraulic PTO **	Dump Cart
224, 226	B98, B98-B or B98-3†	N40, N44, N46	J17, M17	E, F, G60 or DC1000
444, 446, 448	B98, B98-B or B98-3†	N44, N46	J17, L17, N17	E, F, G60 or DC1000

* M, L, K and J Series mowers require C28870 adaptor kit.

** See your tractors parts catalog for correct PTO kit,

† Mounts on a 3 point hitch.

INDEX

There is an index at the front of this catalog. The front index is an alphabetical index of the major groups or assemblies.

ILLUSTRATION

Each illustration in this catalog shows a group of parts or components. These parts and components are aligned approximately as the parts and components on your machine. Each part and component in an illustration has a reference number. These reference numbers are in a list on the page opposite of the illustration. Next to the reference number is the part number, description and required quantity of the part shown in the illustration.

UAR - "Use as required" indicates that the part quantity is variable.

NSS - "Not sold separately" indicates that the part is only available as component of an assembly or the part must be purchased locally. If the part is an assembly component, the description will be indented under the assembly description in the parts list.

O/L - "Obtain locally"

- "Footnotes" are added to a part number when more information is needed for identification. They only relate to the part numbers indicated. All orders must include the following information:

1. Correct part number.

PARTS ORDERS

2. Complete description of part or component.
3. Total quantity of each part or component.
4. Product model number.
5. All necessary product identification numbers.
6. Method for sending the parts.
7. Complete and correct address.

CATALOG REVISIONS

As the product changes, new pages will be available for your catalog. A notice will be issued.

IMPORTANT: Put all revisions into the catalog as soon as possible.

RIGHT HAND AND LEFT HAND IDENTIFICATION

The words right hand (RH) and left hand (LH) as used in this catalog indicate the direction while you are in the operator's seat in the normal operating position.

INDENTED DESCRIPTIONS

An assembly can have many components. The components of an assembly are indicated by an indented description. The quantity for an indented part is the total needed for that complete assembly. See the example.

REF.	PART NO.	DESCRIPTION	REQ'D
	C 55159	CYLINDER ASSY - rear steering	1
28	C 56208	SOCKET ASSY - rear cylinder	1
29	C 55956	PLUG - adjusting, socket assy	1
30	C 55957	SEAT- socket, ball.....	2
31	C 56210	SPRING-socket	1
32	C 56209	SEAT - socket spring	1
33	G 45175	CLAMP ASSY - socket assy	1
	16- 836	BOLT-1/2"x2-1/4" N.F. hex.....	1
34	132- 104	PIN-cotter, 3/16"x3".....	1
35	C 55889	STUD - ball, socket & cylinder	2
36	13- 410	BOLT-1/4"x5/8"N.C.,hex	4
37	92- 4	LOCK WASHER - 1/4"SAE	4

ALPHABETICAL INDEX

Bags..... 11
Boot..... 7
Cover, Bags 11
Cover, Cart..... 9
Decals 15
Ducts..... 7
Housing, Blower..... 7
Impellor 5
Motor, Hydraulic..... 13
Mounting Brackets 5
Side Panels, Cart..... 9
Support, Bags 11

casecoltingersoll.com

INDEX

PAINT AND OIL

PAINT

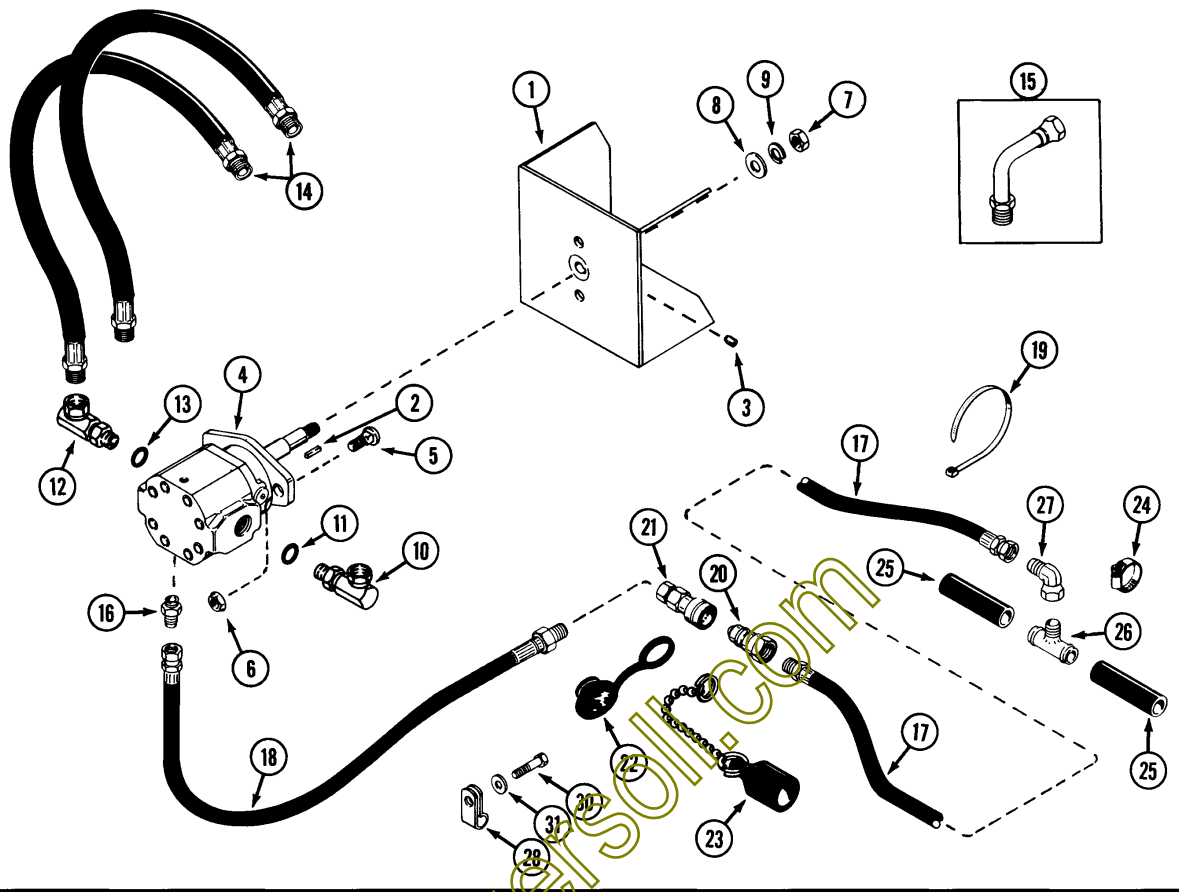
REF.	PART NO.	DESCRIPTION	REQ'D
1	C 28849	BLACK - semi - gloss, 12 oz spray (2 per carton)	1
2	C 28850	BLACK - semi - gloss, quart (2 per carton)	1
3	C 28850	BLACK - semi - gloss, heat resistant, 12 oz spray (2 per carton)	1
4	C 28484	POWER RED - gloss, 12 oz spray (2 per carton)	1
5	C 28485	POWER RED - gloss, quart (2 per carton)	1
6	C 30870	SILVER - gloss, 12 oz. spray (2 per carton)	1
7	C 31643	POWER RED - gloss, 1 oz touch up, (1 doz. per carton)	1

OIL

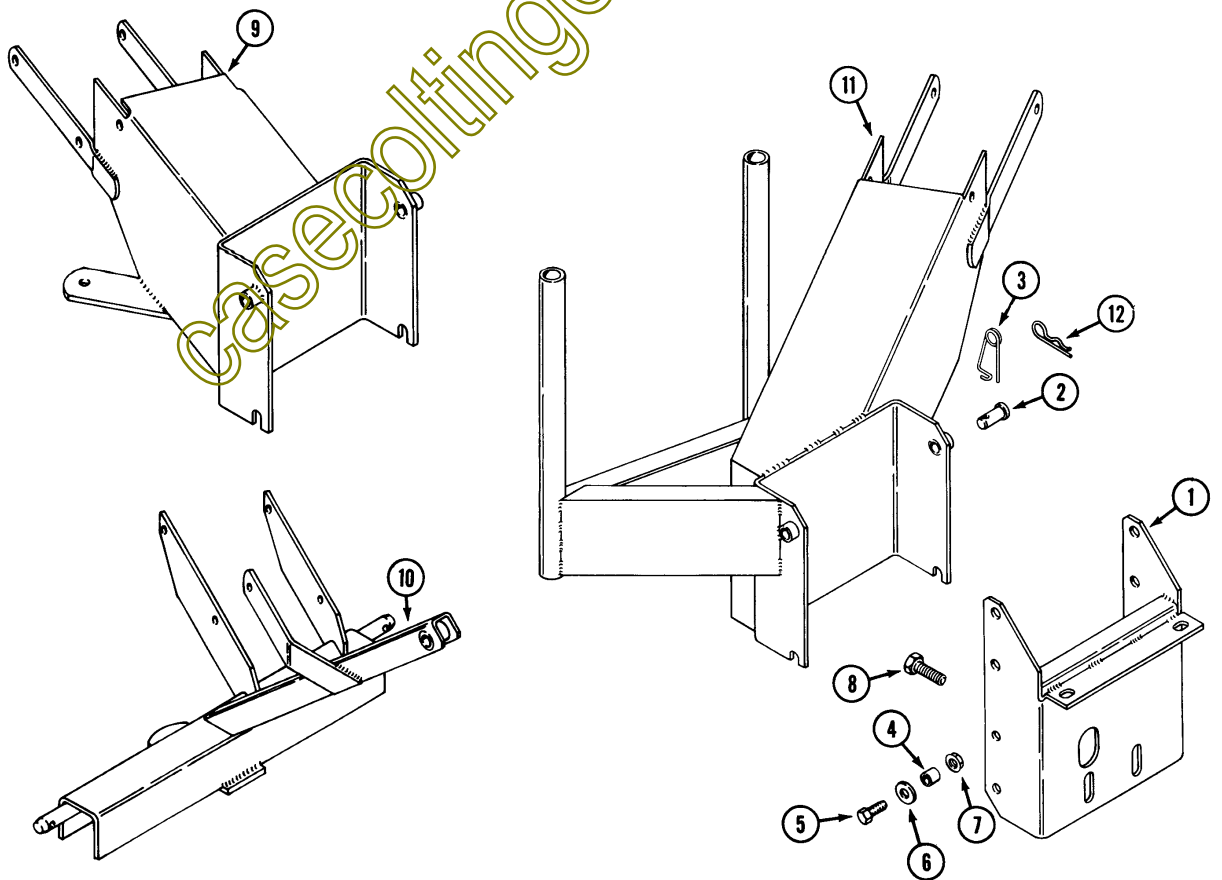
1	C 32776	OIL - SAE 30, SF, quart (12 per case)	1
2	C 32777	OIL - SAE 5W20, SF, quart (12 per case)	1
3	C 32778	OIL - SAE 20W40, SF, quart (12 per case)	1

casecoltingersoll.com

INDEX



INDEX



INDEX

**B98, B98-3 AND B98-B HYDRAULIC BLOWER
IMPELLOR AND HYDRAULIC MOTOR**

REF.	PART NO.	DESCRIPTION	REQ'D
1	C28392	IMPELLOR - blower	1
2	C28215	KEY - 3/16" square x 5/8" impeller.....	1
3	83-46	SET SCREW - 1/4" - 20	2
4	NSS +	MOTOR - hydraulic (use C33127 kit) (repairs page 13).....	1
4	C33107 ++	MOTOR - hydraulic (repairs page 13).....	1
5	111-371	BOLT - 3/8" - 16 x 1-1/4" carriage.....	2
6	131-938	NUT - 3/8" - 16 flange lock.....	2
7	129-163	NUT - 3/8" - 24 (torque to 20-25 ft. lb.)	1
8	195-525	WASHER - 3/8"	1
9	192-21	LOCKWASHER - 3/8"	1
10	218-5203	FITTING - 90° swivel 3/4" - 16 "O" ring x 1/2" pipe (inlet)	1
11	218-5006	"O" RING - fitting	1
12	218-5201	FITTING - 90° swivel 7/8" - 14 "O" ring x 1/2" pipe (outlet) . . .	1
13	218-5007	"O" RING - fitting	1
14	C28320	HOSE - hydraulic (B98-B).....	2
14	C28398	HOSE - hydraulic (B98, B98-3).....	2
15	C29882	TUBE - extension (B98-B).....	2
	111-340 *	BOLT - 3/8" - 16 x 3/4" carriage	1
	131-938 *	NUT - 3/8" - 16 flange lock.....	1
	C33127	KIT - hydraulic motor with case drain (includes motor).....	1
16	218-5053	FITTING - 3/16" - 20 straight x 7/16" - 20, 37° flare.....	1
17	C33202	HOSE - return, front	1
18	C33203	HOSE - return, rear	1
19	C22947	TIE - nylon.....	3
20	C27713	COUPLING - male	1
21	C27714	COUPLING - female	1
22	C27715	PLUG - dust	1
23	C27716	CAP - dust.....	1
24	214-254	CLAMP - hose 11/16" x 1-1/4"	4
25	NSS	HOSE - hydraulic 4" (use C29697 cut to length)	2
26	C33204	TEE - return.....	1
27	218-980	FITTING - 90° swivel.....	1
28	C33125	CLAMP - tube.....	1
29	NSS	TRIM - strip 4" (use C33274 cut to length)	1
30	113-132	BOLT - 1/4" - 20 x 1-3/4" (use if req. to mount tube clamp). . .	1
31	195-518	WASHER - 1/4" (use if req. to mount tube clamp).....	1

+ use before S/N:

++ use SIN and after

B98 BF15296

B98-3 BK10982

B98B CA21505

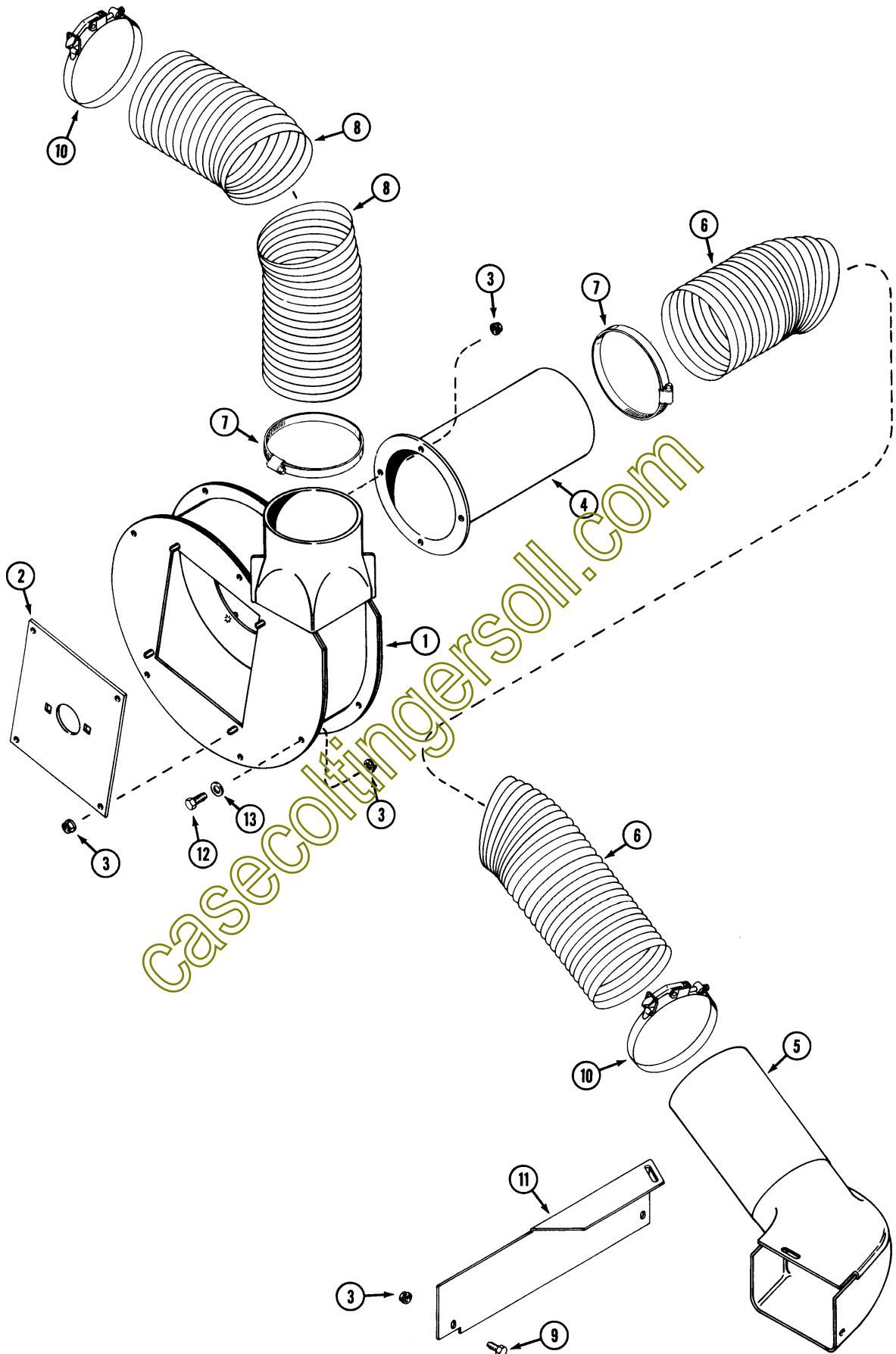
* use in PTO Bracket to prevent reverse handle operation

INDEX

ADAPTER AND MOUNTING BRACKET

1	C29916	BRACKET - tractor adapter (B98-B) shown.....	1
1	NSS	BRACKET - tractor adapter (B98) (use C29916).....	1
2	141-56	PIN - clevis 1/2" x 1-3/8".....	2
3	C10898	PIN - safety	2
4	C14768	SPACER.....	2
5	113-208	BOLT - 3/8" - 16 x 1-1/4"	2
6	195-525	WASHER - 3/8"	2
7	131-938	NUT - 3/8" - 16 flange	2
8	113-417	BOLT - 1/2" - 13 x 1-1/4"	2
9	C28400	BRACKET - mounting (B98)	1
10	C29057	BRACKET - mounting (B98-3)	1
11	C29885	BRACKET - mounting (B98-B).....	1
12	C29029	PIN - cotter hair pin (B98-B).....	2

INDEX



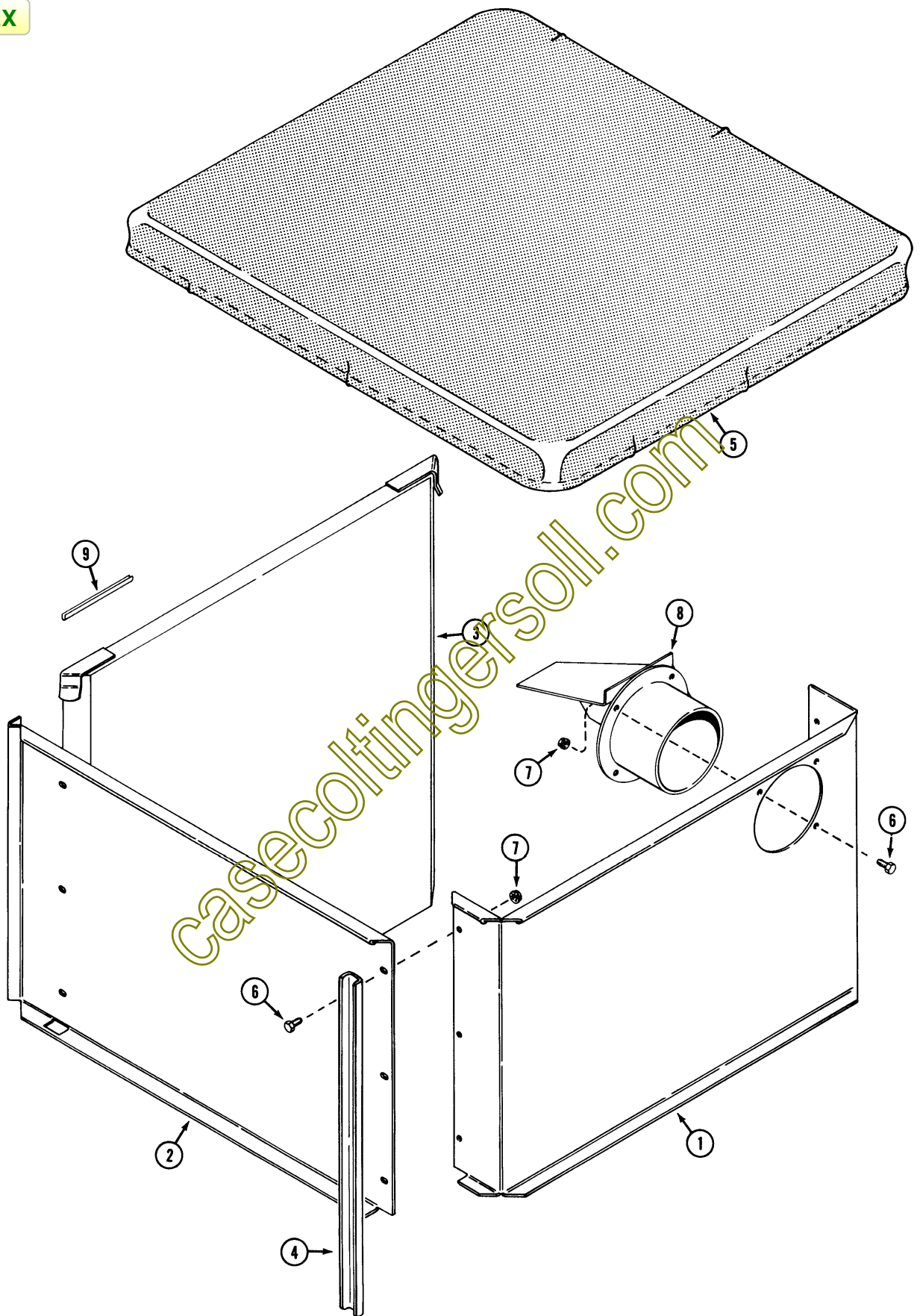
B98, B98-3 AND B98-B HYDRAULIC BLOWER

BLOWER HOUSING, DUCTS AND TUBES

REF.	PART NO.	DESCRIPTION	REQ'D
1	C28387	HOUSING - blower.....	1
2	C28396	PLATE - motor mounting.....	1
3	131-911	NUT - 5/16" - 18 flange lock.....	16
4	C28405	DUCT - blower inlet (B98, B98-3) shown.....	1
4	C29890	DUCT - blower inlet (B98-B)	1
5	C28408	BOOT - mower	1
6	C30266	CHUTE - blower intake 45" to 48"	1
7	214-277	CLAMP - chute, worm drive	UAR
8	NSS	CHUTE - blower discharge (use C30266)	1
9	113-102	BOLT - 5/16" - 18 x 3/4"	2
10	C28413	CLAMP - chute.....	UAR
11	C28411	BAFFLE - mower.....	1
12	113-103	BOLT - 5/16" - 18 x 1	6
13	195-2175	WASHER - .344" x 1.25"	4

casecoltingersoll.com

INDEX



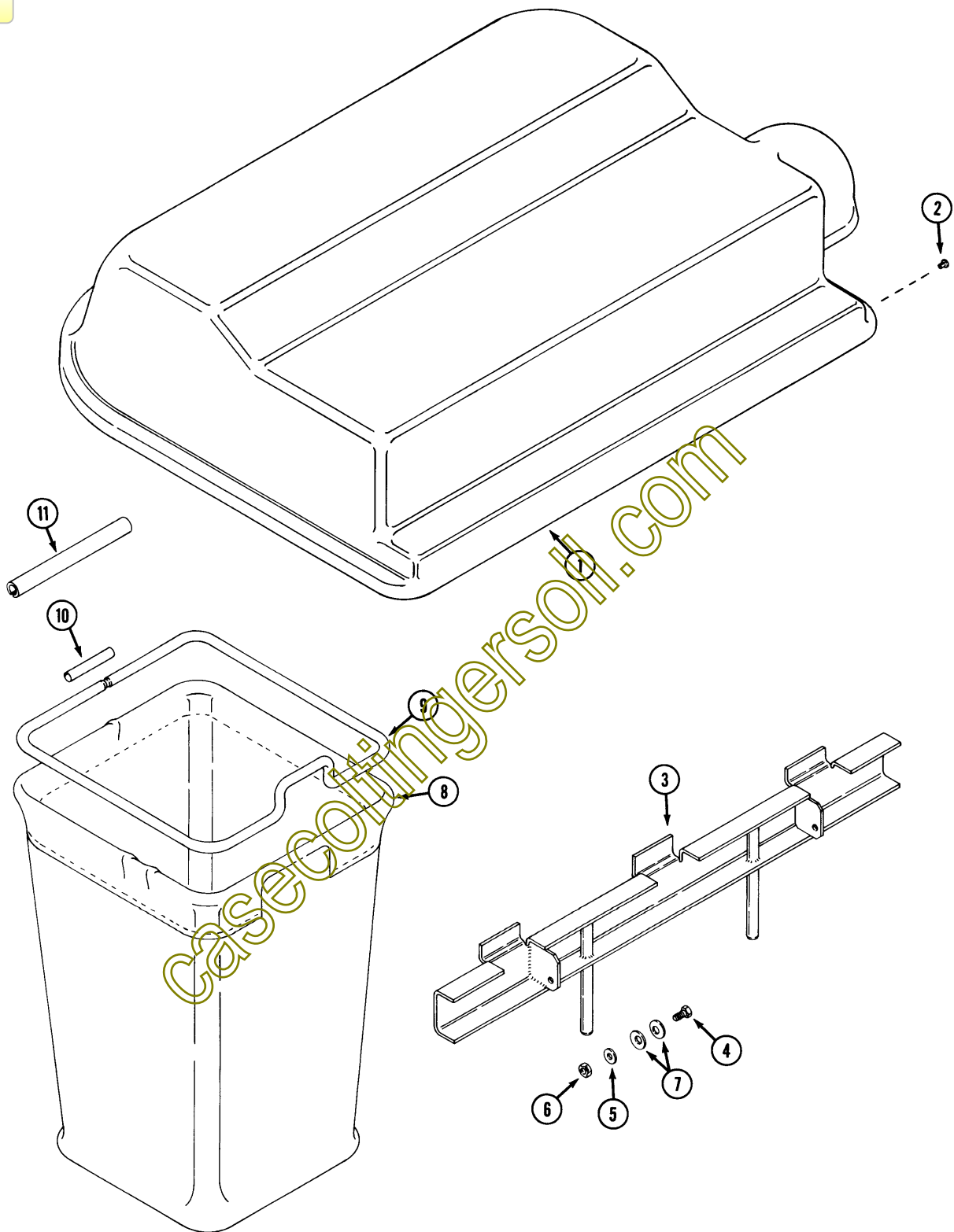
B98, B98-3 AND B98-B HYDRAULIC BLOWER

**CART ENCLOSURE
For B98, B98-3**

REF.	PART NO.	DESCRIPTION	REQ'D
1	C28417	PANEL - front	1
2	C28418	PANEL - side L.H.	1
2	C28419	PANEL - side R.H. (shown).....	1
3	C32414	TAILGATE	1
4	C28420	CHANNEL - support.....	4
5	C30102	COVER - cart	1
6	113-102	BOLT - 5/16" - 18 x 3/4"	15
7	131-911	NUT - 5/16" - 18 flange lock	15
8	C28414	DEFLECTOR - debris	1
9	C33274	TRIM - strip.....	2

casecoltingersoll.com

INDEX



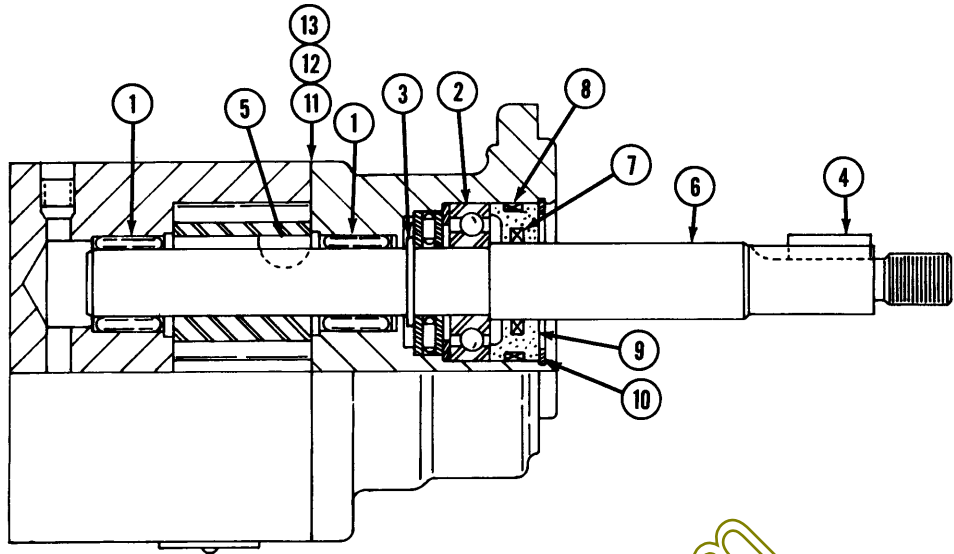
INDEX

**B98, B98-3 AND B98-B HYDRAULIC BLOWER
BAGS, COVER AND SUPPORT FRAME
For B98-B**

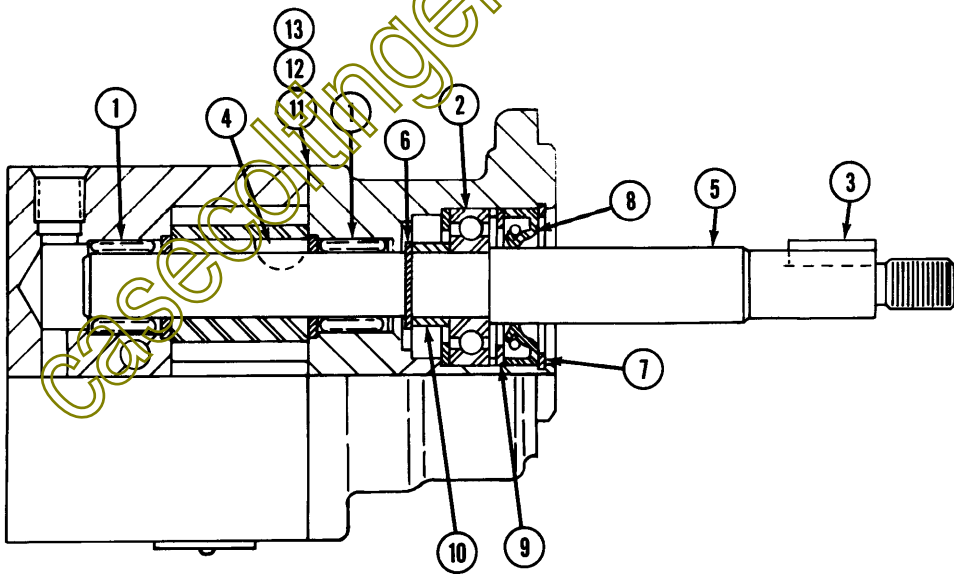
REF.	PART NO.	DESCRIPTION	REQ'D
1	C29900	COVER - bagger	1
2	151-539	RIVET - pop.....	UAR
3	C29891	FRAME - support	1
4	113-103	BOLT - 5/16" - 18 x 1"	2
5	195-521	WASHER - 5/16"	2
6	131-176	NUT - 5/16" - 18 lock.....	2
7	C25114	SPRING WASHER - Belleville	4
8	C28438	BAG.....	3
9	C29897	ROD - bag reinforcement.....	3
10	C28440	TUBE - connector.....	3
11	C32400	GUARD - bag.....	3

casecoltingersoll.com

INDEX



INDEX



INDEX**B98, B98-3, B98B HYDRAULIC BLOWER
HYDRAULIC MOTOR**

Use Before S/N:

B998 - BF 15296**B98-3 - BK 10982****B98B - CA 21505**

REF.	PART NO.	DESCRIPTION	REQ'D
	NSS	MOTOR - hydraulic (use C33127 kit).....	1
1	C33292	BEARING - needle.....	4
2	C33293	BEARING - ball.....	1
	C33303	KIT - shaft repair.....	1
3	NSS	RING - snap 1/2" external.....	1
4	C28215	KEY - square 3/16".....	1
5	126-6	KEY - woodruff 1/8" x 3/8".....	1
6	NSS	SHAFT - hydraulic motor.....	1
	C33304	KIT - seal.....	1
7	NSS	"0" RING - internal.....	1
8	NSS	"0" RING - external.....	1
9	NSS	RETAINER - seal.....	1
10	NSS	RING - snap 1-1/8" internal.....	1
11	NSS	GASKET - body .00050" (silver).....	UAR
12	NSS	GASKET - body .00075" (gold).....	UAR
13	NSS	GASKET - body .00100" (amber).....	UAR

INDEX**HYDRAULIC MOTOR**

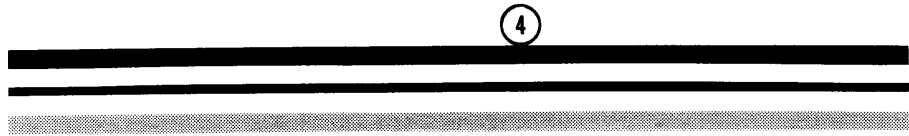
Use S/N and after:

B98 - BF 15296**B98-3 - BK 10982****B98B - CA 21505**

	C33107	MOTOR - hydraulic.....	1
1	C33292	BEARING - needle.....	4
2	C33293	BEARING - ball.....	1
	C33301	KIT - shaft repair.....	1
3	C28215	KEY - square 3/16".....	1
4	126-6	KEY - woodruff 1/8" x 3/8".....	1
5	NSS	SHAFT - hydraulic motor.....	1
6	NSS	RING - snap 1/2" external.....	1
	C33302	KIT - seal.....	1
7	NSS	RING - snap 1-1/8" internal.....	1
8	C33282	SEAL-oil.....	1
9	NSS	SPACER - seal.....	1
10	NSS	SPACER - bearing.....	1
11	NSS	GASKET - body .00050" (silver).....	UAR
12	NSS	GASKET - body .00075" (gold).....	UAR
13	NSS	GASKET - body .00100" (amber).....	UAR

⁵
INGERSOLL

⁶
hydravac™



⁷
hydrabagger™

⚠ WARNING

FLYING DEBRIS
OPERATE MOWER ONLY
WITH DISCHARGE CHUTE
GUARD/COVER OR COMPLETE
GRASS CATCHER IN PLACE.
DEBRIS MAY CAUSE INJURY

²

⚠ CAUTION

FLYING DEBRIS
1. DO NOT RAISE COVER WHILE OPERATING.
2. PROPERLY INSTALL BAGGER AND CHUTE
BEFORE STARTING MOWER. SEE OPER-
ATORS MANUAL FOR FURTHER
INSTRUCTIONS.

³

¹
⚠ DANGER

SPINNING BLADE
SEE OPERATOR'S MANUAL BEFORE
ATTEMPTING TO CLEAR PLUGGED
DISCHARGE CHUTE.
CONTACT WITH BLADE CAN RESULT IN
SERIOUS INJURY.

¹

REF.	PART NO.	DESCRIPTION	REQ'D
1	C31089	DECAL - "Spinning Blade".....	UAR
2	C31086	DECAL - "Flying Debris".....	1
3	C31088	DECAL - "Flying Debris".....	1
4	NSS	DECAL - strip (use C31328 cut to length).....	1
5	NSS	DECAL - "Ingersoll" shown (use C31989).....	1
6	NSS	DECAL - "hydravac" (no longer available).....	1
7	C29910	DECAL - "hydrabagger".....	1

case@ingersoll.com