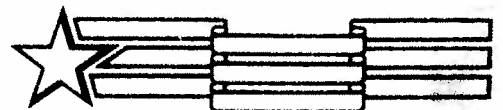




Ingersoll

**HYDRAULIC MOWER
HRM48H, AHRM4H
Parts Catalog 8-3091**

HRM 48H



QUALITY IN THE AMERICAN TRADITION



8

8



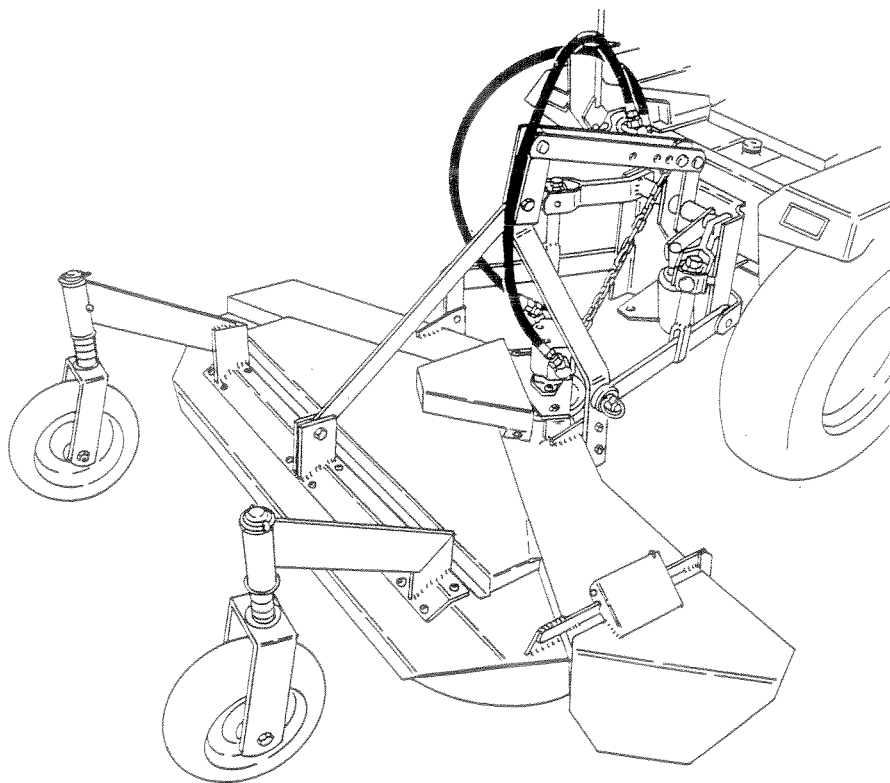
8

8



**HYDRAULIC MOWER
AHRM4H, HRM48H
Parts Catalog 8-3091**

9-96-RP-500



APPLICATION CHART

MODEL	TRACTOR
HRM48H	3014, 3016, 3018 4014, 4016, 4018, 4020 6018
AHRM4H	3118, 4118 3118D, 4118D

Also requires 3 pt hitch and hydraulic PTO if not equipped.

GENERAL INFORMATION

INDEX

There is an index at the front and rear of this catalog.

The front index is an alphabetical index of the major groups or assemblies.

The rear index is a numerical index of the part numbers and pages on which these numbers are shown.

ILLUSTRATION

Each illustration in this catalog shows a group of parts or components. These parts and components are aligned approximately as the parts and components on your machine. Each part and component in an illustration has a reference number. These reference numbers are in a list on the page opposite of the illustration. Next to the reference number is the part number, description and required quantity of the part shown in the illustration.

UAR - "Use as required" indicates that the part quantity is variable.

NSS - "Not sold separately" indicates that the part is only available as a component of an assembly or the part must be purchased locally. If the part is an assembly component, the description will be indented under the assembly description in the parts list.

O/L - "Obtain locally"

** - "Footnotes" are added to a part number when more information is needed for identification. They only relate to the part numbers indicated.

PARTS ORDERS

All orders must include the following information:

1. Correct part number.
2. Complete description of part or component.
3. Total quantity of each part or component.
4. Product model number.
5. All necessary product identification numbers.
6. Method for sending the parts.
7. Complete and correct address.

CATALOG REVISIONS

As the product changes, new pages will be available for your catalog. A notice will be issued.

IMPORTANT: Put all revisions into the catalog as soon as possible.

RIGHT HAND AND LEFT HAND IDENTIFICATION

The words right hand (RH) and left hand (LH) as used in this catalog indicate the direction while you are in the operator's seat in the normal operating position.

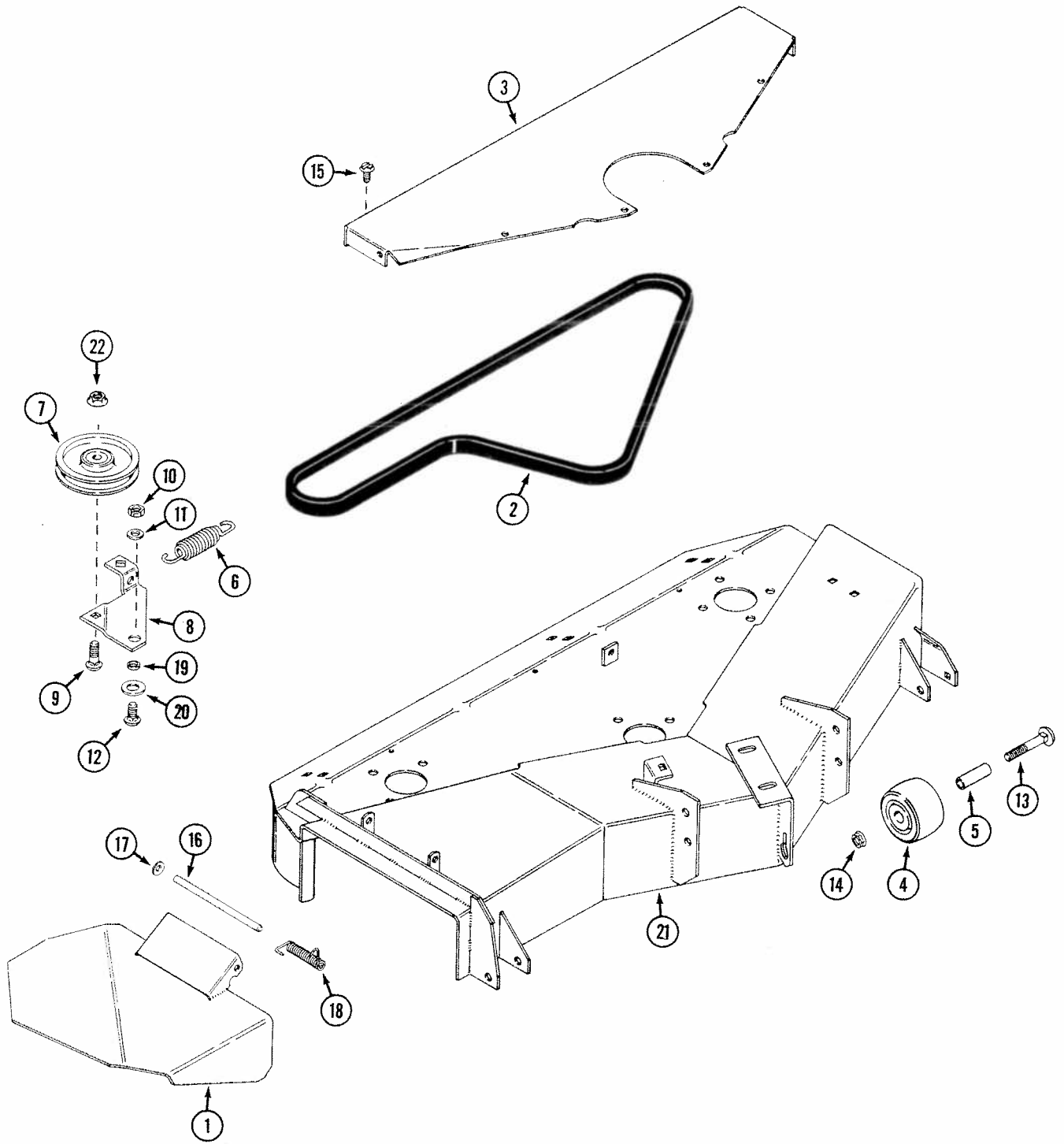
INDENTED DESCRIPTIONS

An assembly can have many components. The components of an assembly are indicated by an indented description. The quantity for an indented part is the total needed for that complete assembly. See the example.

REF.	PART NO.	DESCRIPTION	REQ'D
	C 55159	CYLINDER ASSY - rear steering	1
28	C 56208	SOCKET ASSY - rear cylinder	1
29	C 55956	PLUG - adjusting, socket assy	1
30	C 55957	SEAT - socket ball	2
31	C 56210	SPRING - socket	1
32	C 56209	SEAT - socket spring	1
33	G 45175	CLAMP ASSY - socket assy	1
	16- 836	BOLT - 1/2" x 2-1/4" N.F. hex	1
34	132- 104	PIN - cotter, 3/16" x 3"	1
35	C 55889	STUD - ball, socket & cylinder	2
36	13- 410	BOLT - 1/4" x 5/8" N.C., hex	4
37	92- 4	LOCK WASHER - 1/4" SAE	4

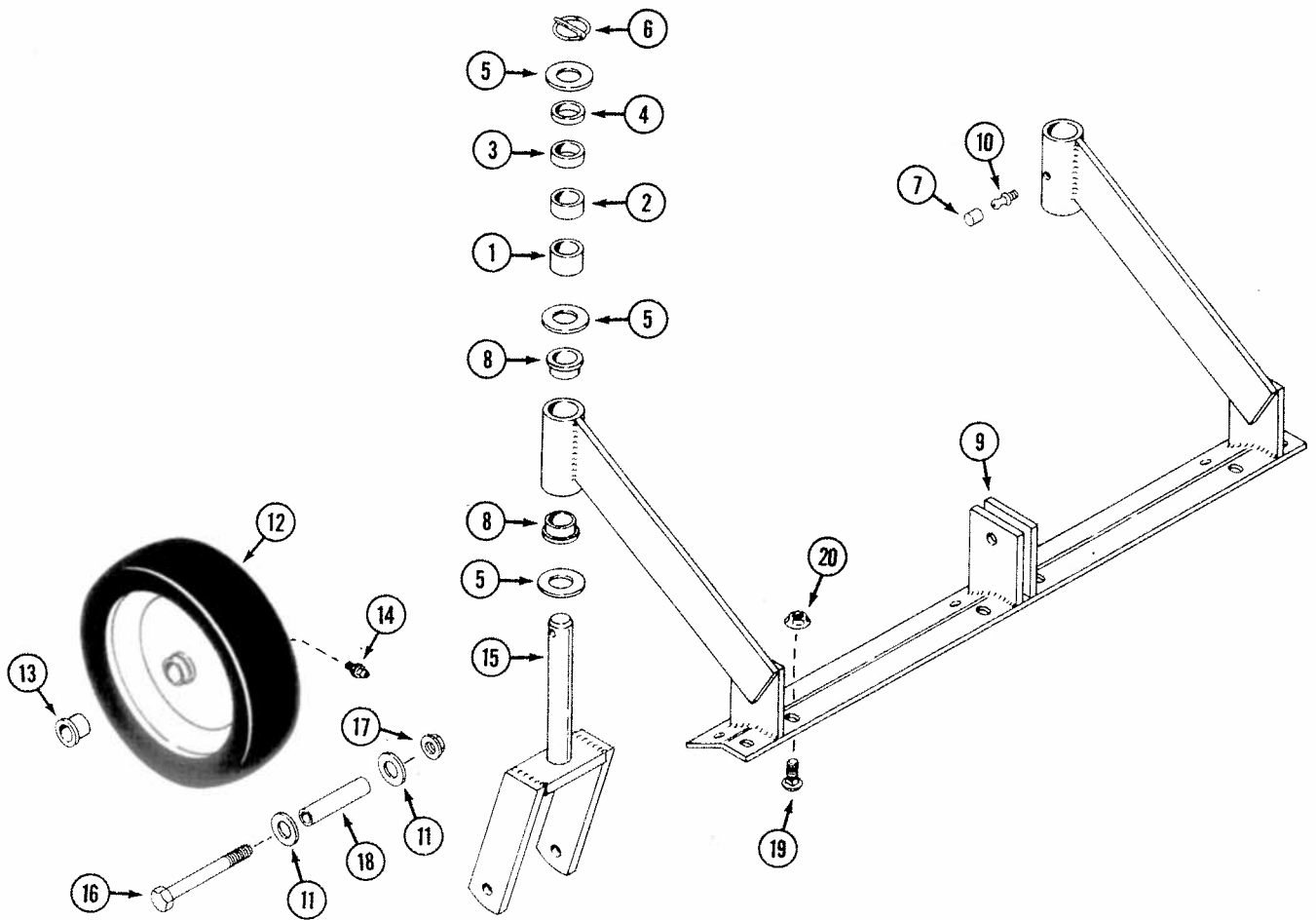
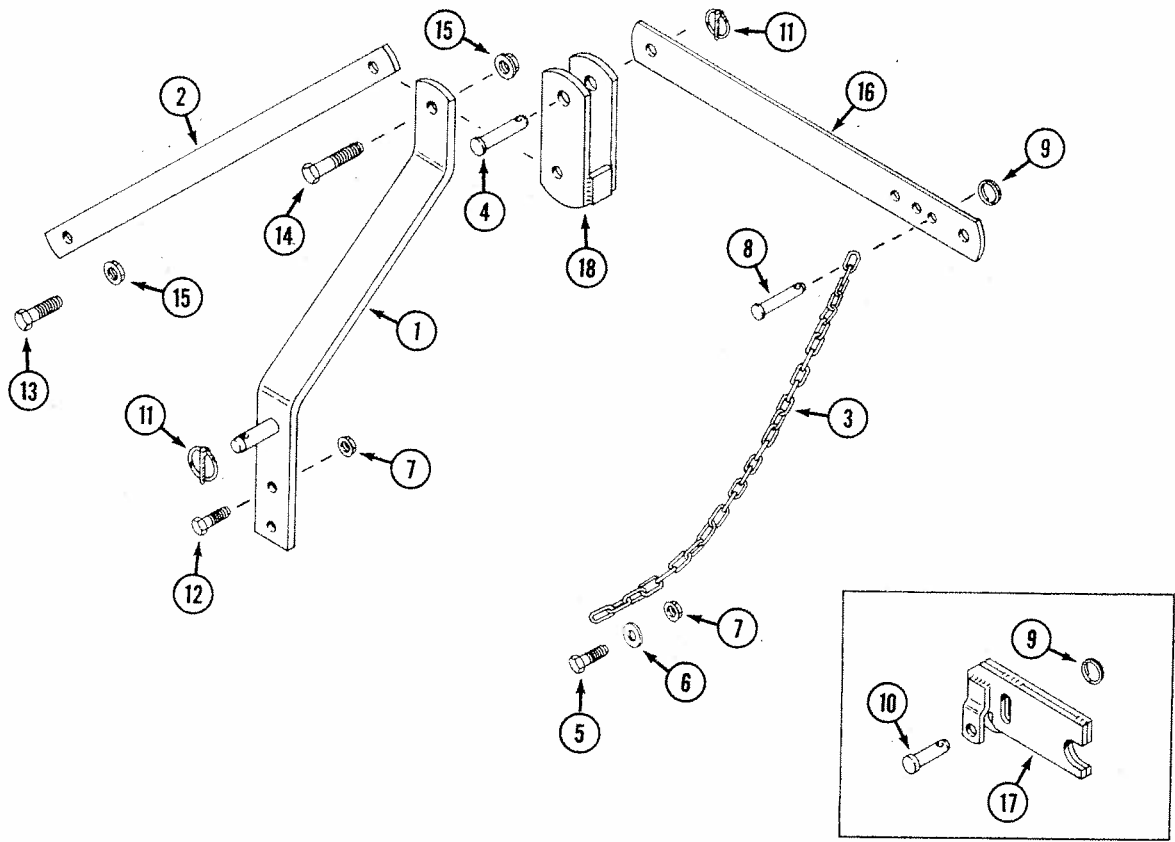
TABLE OF CONTENTS

Deck, Belt and Idler Pulley	5
Mounting Bracket	7
Rear Wheels	7
Hydraulic Drive	9-13
Spindles and Blades	9
Hydraulic Motor	15
PTO Handle Stop Bracket	17
Decals	17



DECK, BELT AND IDLER PULLEY

REF.	PART NO	DESCRIPTION	REQ'D
1	C31502	EXTENSION - chute	1
2	C23950	BELT - deck	1
3	C31497	COVER - deck belt	1
4	C31500	ROLLER - anti - scalp	2
5	C31501	SPACER - sleeve	2
6	C31606	SPRING - idler	1
7	C12251	PULLEY - idler	1
8	C31608	PLATE - idler	1
9	111-366	BOLT - 3/8" - 16 x 1-1/4" carriage	1
10	131-1181	NUT - 3/8" - 16 lock	2
11	195-525	WASHER - 3/8"	2
12	111-371	BOLT - 3/8" - 16 x 1"	1
13	111-375	BOLT - 3/8" - 16 x 3" carriage	1
13	113-241	BOLT - 3/8" - 16 x 3" hexhead	1
14	131-938	NUT - 3/8" - 16 flange lock	2
15	187-1036	SCREW - 1/4" - 20 x 1/2" self tap	7
16	C30766	PIN - hinge	1
17	C30768	NUT - push	2
18	C31505	SPRING - chute	1
19	C14768	SPACER - sleeve	1
20	195-105	WASHER - 1/2"	1
21	C32759	DECK - mower	1

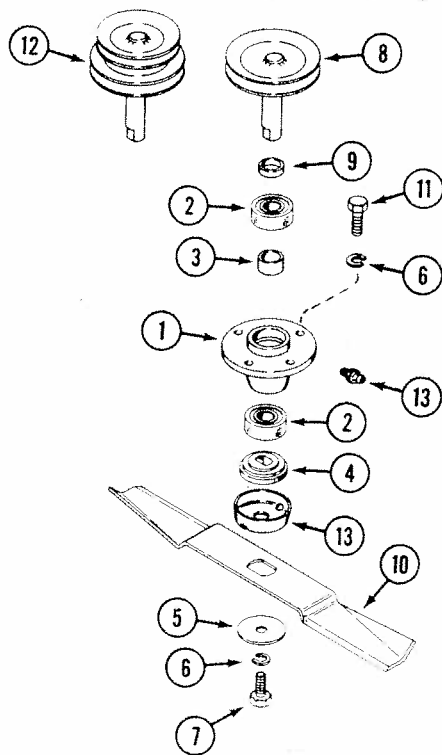
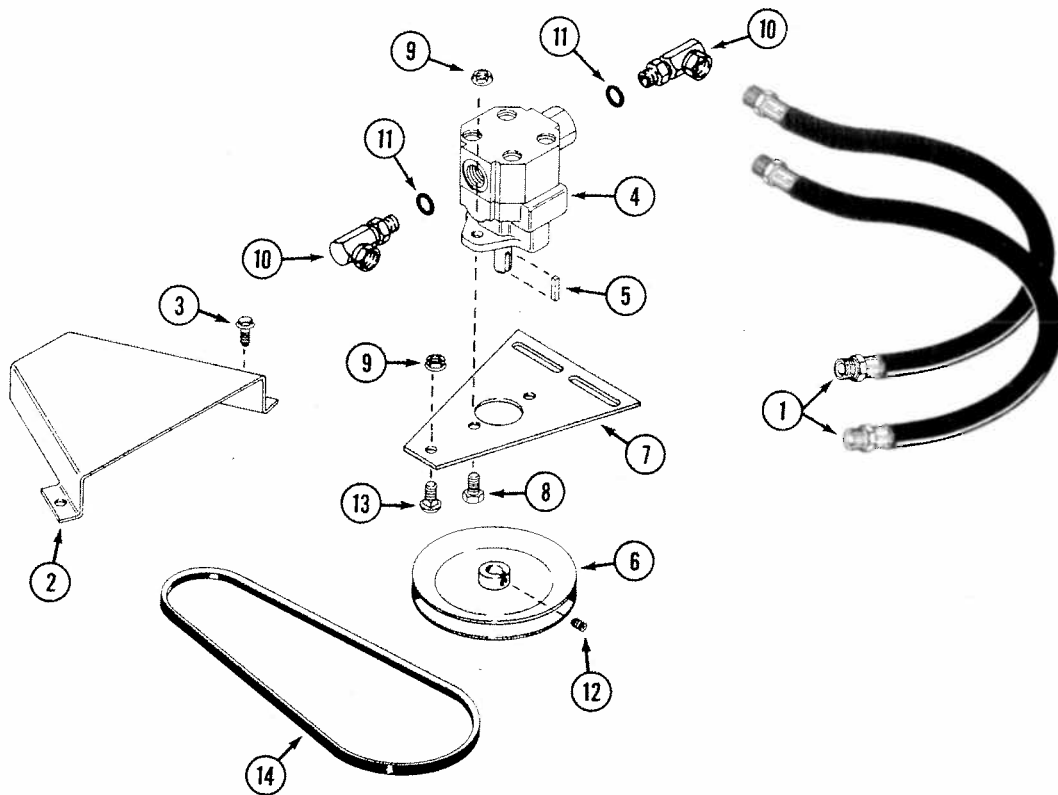


MOUNTING BRACKET

REF.	PART NO	DESCRIPTION	REQ'D
1	C32756	STRAP - side	2
2	C32784	LINK - front to rear	1
3	C32753	CHAIN - leveling	1
4	C16128	PIN - clevis	2
5	113-207	BOLT - 3/8" - 16 x 1"	1
6	195-2029	WASHER - 7/16" x 1-1/4"	2
7	129-938	NUT - 3/8" - 16 flange lock	5
8	C28266	PIN - clevis 3/8" x 2.6"	1
9	C28105	RING - retaining	3
10	C29693	PIN - clevis 1/2"	2
11	C28222	PIN - retaining	4
12	113-208	BOLT - 3/8" - 16 x 1-1/4"	4
13	113-412	BOLT - 1/2" - 13 x 1-3/4"	1
14	113-426	BOLT - 1/2" x 13 x 2-3/4"	1
15	131-1182	NUT - 1/2" - 13 lock	2
16	C33209	BAR - upper	1
17	C33210	ARM - lift cylinder	1
18	C32785	LINK - top	1

REAR WHEELS

1	C32788	SPACER - 1"	2
2	C32789	SPACER - 3/4"	2
3	C32790	SPACER - 1/2"	2
4	C32791	SPACER - 1/4"	2
5	195-553	WASHER - 1" x 2"	6
6	C28222	PIN - retaining	2
7	C13106	COVER - grease fitting	4
8	C30562	BUSHING - flange	4
9	C32744	BRACKET - caster mounting	1
10	219-20	FITTING - lubrication 1/4" - 28"	2
11	C12975	WASHER - spacer	4
12	C30926	WHEEL - 10"	2
13	C24503	BUSHING - shoulder	2
14	219-10	FITTING - lubrication	1
15	C32743	CASTER - wheel	2
16	113-436	BOLT - 1/2" - 13 x 5-1/2"	2
17	131-930	NUT - 1/2" - 13 flange lock	2
18	C29590	SLEEVE - spacer	2
19	111-132	BOLT - 5/16" - 18 x 3/4" carriage	12
20	131-911	NUT - 5/16" - 18 flange lock	12



HYDRAULIC DRIVE
(HRM48H before PIN 010406094)

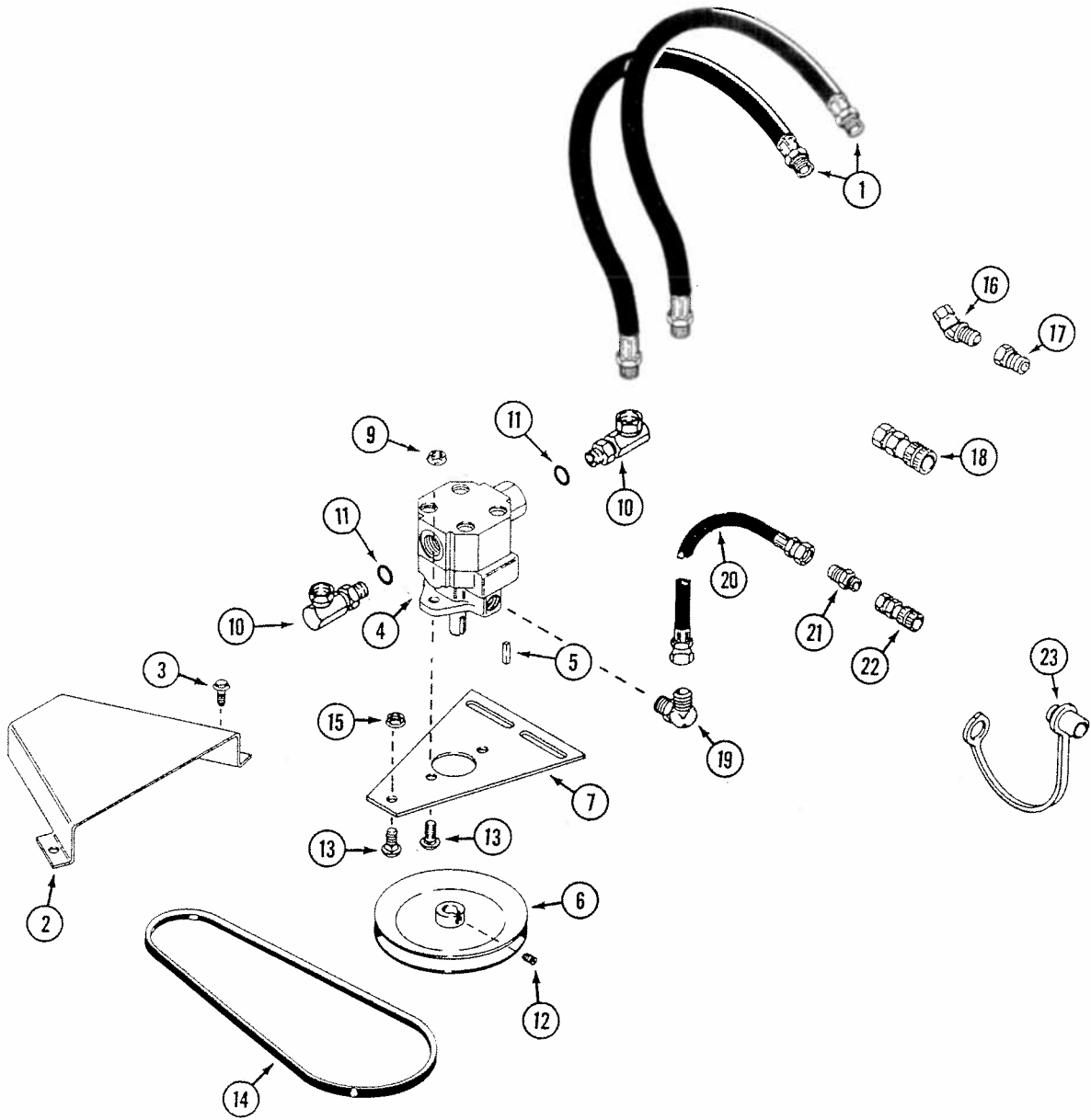
REF.	PART NO	DESCRIPTION	REQ'D
1	C28320	HOSE - hydraulic	2
2	C32536	COVER - drive belt	1
3	187-1036	SCREW - 1/4" - 20 x 1/2" self tap	3
4	NSS	MOTOR - hydraulic (use C46480 kit)	1
	C30053	KIT - repair (includes carrier and seal kit)	1
	C29625	KIT - seal	1
5	C29581	KEY - motor shaft 3/16" x 3/16" x 1"	1
6	C32535	PULLEY - 7" drive	1
7	C32751	PLATE - motor mount	1
8	113-207	BOLT - 3/8" - 16 x 1"	2
9	131-938	NUT - 3/8" flange	5
10	218-5201	FITTING - 7/8" O-ring x 1/2" pipe, 90°	2
11	218-5007	"O" RING	1
12	C32199	SCREW - set 5/16" - 18 x 5/16"	1
13	111-342	BOLT - 3/8" - 16 x 1" carriage	3
14	C31215	BELT - drive	1

SPINDLES AND BLADES

1	NSS*	HOUSING - spindle (use C40722, 219-20 and (2) C16516)	3
1	C40722**	HOUSING - spindle	3
2	C28971	BEARING - spindle	6
3	C10810	SPACER - bearing	3
4	C25542	ADAPTER - blade	3
5	C31452	WASHER - 3/8" x 2"	3
6	192-21	LOCKWASHER - 3/8"	15
7	113-209	BOLT - 3/8" - 16 x 1-1/2"	3
8	C31566	SPINDLE - outboard	2
9	C29431	SPACER - spindle	3
10	C31572	BLADE - 17"	3
11	113-206	BOLT - 3/8" - 16 x 3/4"	12
12	C31560	SPINDLE - center (HRM48H)	1
12	C42440	SPINDLE - center (AHRM4H)	1
13	C25544	SHIELD - bearing	3
14	219-20**	FITTING - lubrication 1/4" - 28	3
15	C16519**	RING - retaining	6

* Use before PIN 010602046

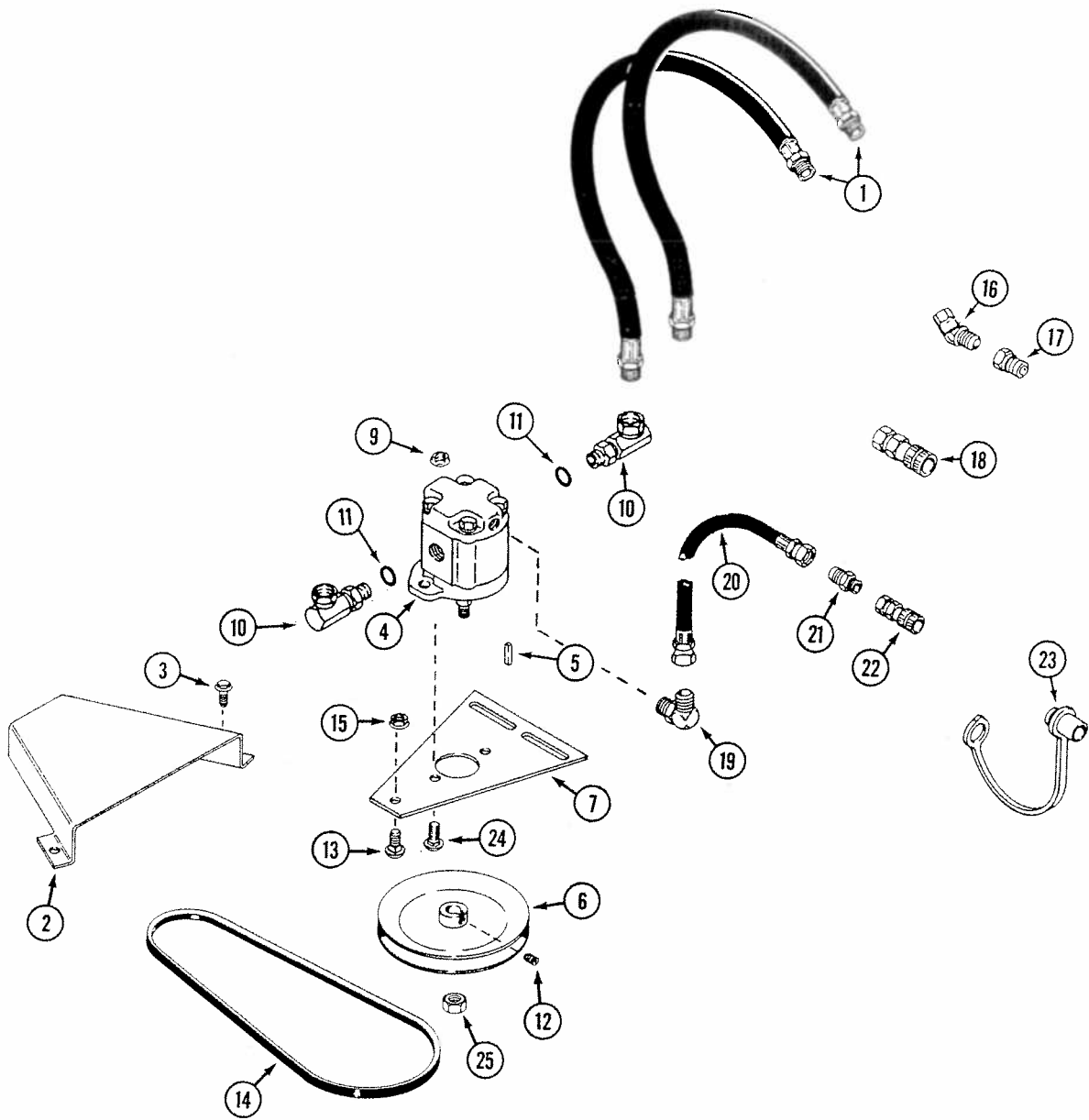
** Use PIN 010602046 and after



HYDRAULIC DRIVE
(HRM48H - PIN 010406094 to 010601046)
(AHRM4H before PIN 010404153)

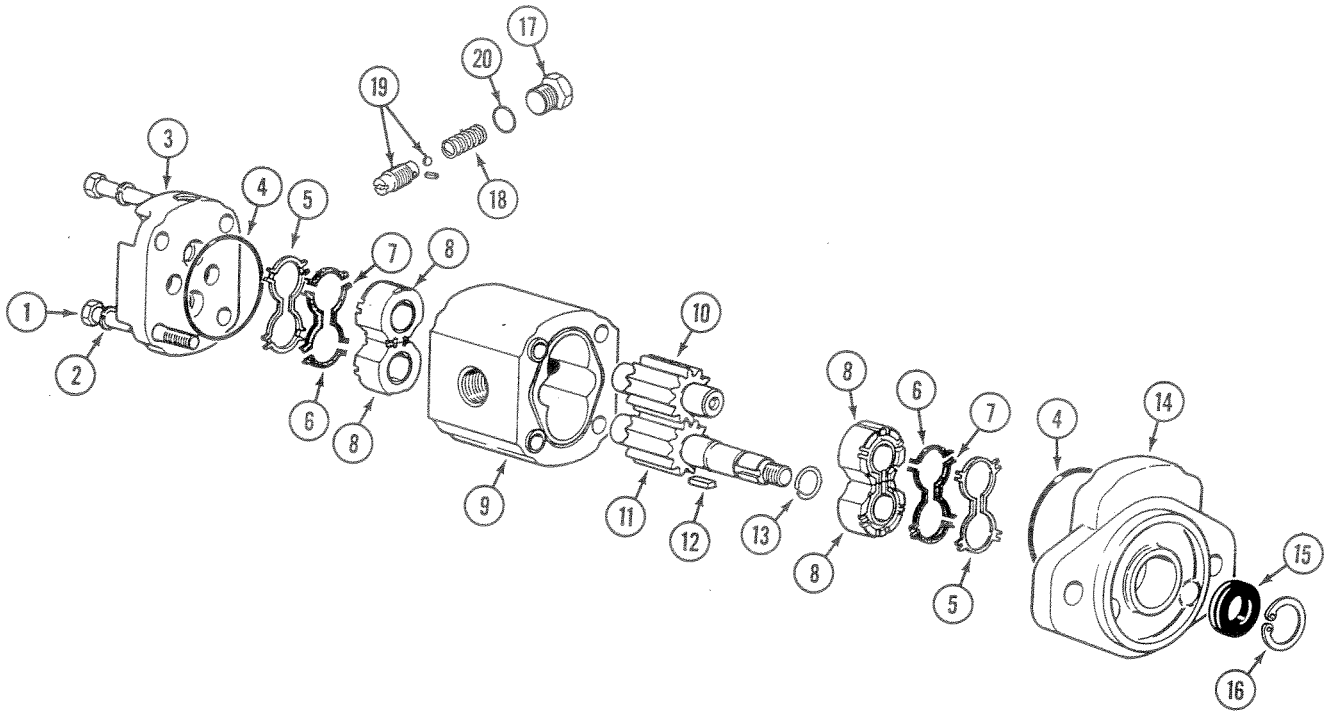
REF.	PART NO	DESCRIPTION	REQ'D
1	C28320	HOSE - hydraulic	2
2	C42452	COVER - drive belt	1
3	187-1036	SCREW - 1/4" - 20 x 1/2" self tap	3
4	NSS*	MOTOR - hydraulic	1
	C40815	SEAL - shaft	1
5	C29581	KEY - motor shaft 3/16" x 3/16" x 1"	1
6	42436	PULLEY - 6.4 drive (AHRM4H)	1
6	C45490	PULLEY - 7" drive (HRM48H)	1
7	C42437	PLATE - motor mount	1
8	113-207	BOLT - 3/8" - 16 x 1"	2
9	131-1352	NUT - 3/8" flange	2
10	218-5201	FITTING - 7/8" O-ring x 1/2" pipe, 90°	2
11	218-5007	"O" RING	1
12	83-55	SCREW - set 5/16" - 18 x 5/16"	1
13	111-342	BOLT - 3/8" - 16 x 1" carriage	5
14	C31215	BELT - drive	1
15	131-938	NUT - 3/8" - 16 flange lock	3
16	217-1086	FITTING - 45° elbow 1/2"	1
17	C37187	COUPLING - quick, male 1/2"	1
18	C37188	COUPLING - quick, female 1/2"	1
19	218-5105	FITTING - 9/16" 90° (includes 218-5005 "O" RING)	1
20	C33560	HOSE - 1/4" x 23"	1
21	218-443	FITTING - 1/4" X 3/8"	1
22	C41044	COUPLING - quick, female 1/4"	1
23	C33404	CAP - dust	1

* HRM48H use C46213 Kit
AHRM4H use C46214 Kit



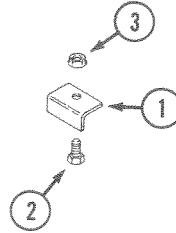
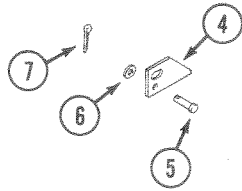
HYDRAULIC DRIVE
(HRM48H - PIN 010601048 and after)
(AHRM4H - PIN 010404153 and after)

REF.	PART NO.	DESCRIPTION	REQ'D
1	C28320	HOSE - hydraulic (HRM48H)	2
1	C42444	HOSE - 1/2" X 32" (AHRM4H)	2
2	C42452	COVER - drive belt	1
3	187-1036	SCREW - 1/4" - 20 x 1/2" self tap	3
4	C46235	MOTOR - hydraulic (repairs page 15)	1
5	C46237	KEY - motor shaft 3/16" x 1"	1
6	C46266	PULLEY - 7" drive (HRM48H)	1
7	C42437	PLATE - motor mount	1
8	113-207	BOLT - 3/8" - 16 x 1"	2
9	131-1352	NUT - 3/8" flange	2
10	218-5201	FITTING - 7/8" O-ring x 1/2" pipe, 90°	2
11	218-5007	"O" RING	1
12	83-55	SCREW - set 5/16" - 18 x 5/16"	1
13	111-342	BOLT - 3/8" 16 x 1" carriage	3
14	C31215	BELT - drive	1
15	131-938	NUT - 3/8" - 16 flange lock	3
16	217-1086	FITTING - 45° elbow 1/2"	1
17	C37187	COUPLING - quick, male 1/2"	1
18	C37188	COUPLING - quick, female 1/2"	1
19	218-5105	FITTING - 9/16", 90° (includes 218-5005 "O" ring)	1
20	C33560	HOSE - 1/4" x 23"	1
21	218-443	FITTING - 1/4" x 3/8"	1
22	C41044	COUPLING - quick, female 1/4"	1
23	C33404	CAP - dust	1
24	111-366	BOLT - 3/8" - 16 x 1-1/4" carriage	2
25	131-C5	NUT - 7/16" - 20 lock	1



HYDRAULIC MOTOR

REF.	PART NO.	DESCRIPTION	REQ'D
1	NSS	BOLT	4
2	NSS	LOCKWASHER	4
3	NSS	COVER - end	1
4	NSS	"O" RING - body (included in seal kit)	2
5	NSS	SEAL - backup (included in seal kit)	2
6	NSS	SEALS - bushings (included in seal kit)	4
7	NSS	SEALS - bushings (included in seal kit)	4
8	NSS	BUSHING	4
9	NSS	BODY	1
10	NSS	GEAR - driven	1
11	NSS	SHAFT AND GEAR - drive	1
12	C46237	KEY - square 3/16" x 3/4" (included in seal kit)	1
13	NSS	RING - retaining (included in seal kit)	1
14	NSS	FLANGE - mounting	1
15	C43748	SEAL - oil (included in seal kit)	1
16	NSS	RING - retaining (included in seal kit)	1
17	NSS	CAP - check valve	1
18	NSS	SPRING - check valve (if required)	1
19	NSS	VALVE - check	1
20	NSS	"O" RING - cap (included in seal kit)	1
	C43747	KIT - seal	1



3

⚠ DANGER

SPINNING BLADE
STAY CLEAR OF MOWER WHEN
ENGINE IS RUNNING

4

⚠ CAUTION

BE SURE HYDRAULIC PTO IS
OFF BEFORE STARTING TRACTOR
ENGINE.
KEEP AWAY FROM MOWER
WHEN ENGAGING PTO.
BLADE CONTACT CAN INJURE.

2

NO STEP

⚠ WARNING

SPINNING BLADE
TO AVOID SERIOUS INJURY:
MOWER SHALL NOT BE OPERATED
WITHOUT EITHER ENTIRE:
- CHUTE DEFLECTOR - MULCHER
- GRASS CATCHER
AND GUARD / COVERS IN PLACE.

1

PTO HANDLE STOP BRACKET

REF.	PART NO.	DESCRIPTION	REQ'D
1	C32327	STOP - handle (use with 3014 thru 4020 tractors)	1
2	113-3	BOLT - 1/4" - 20 x 3/4"	1
3	131-934	NUT - 1/4" - 20 flange lock	1
4	C32965	PLATE - spool stop (use with 6018 tractors)	1
5	C32966	PIN - clevis 3/16" x 7/16"	2
6	195-510	WASHER - 3/16" x 7/16"	2
7	132-320	PIN - cotter 3/32" x 1"	2

DECALS

1	C46323	DECAL - "Spinning Blade"	1
2	C12519	DECAL - "No Step"	2
3	C46324	DECAL - "Warning"	1
4	C29769	DECAL - "Caution"	1

NUMERICAL INDEX

C10810	9 3	C37187	13 17	217-1086	11 16
C12251	5 7	C37188	11 18	217-1086	13 16
C12519	17 2	C37188	13 18	218- 443	11 21
C12975	7 11	C40722	9 1	218- 443	13 21
C13106	7 7	C40815	11	218-5007	9 11
C14768	5 19	C41044	11 22	218-5007	11 11
C16128	7 4	C41044	13 22	218-5007	13 11
C16519	9 15	C42436	11 6	218-5105	11 19
C23950	5 2	C42437	11 7	218-5105	13 19
C24503	7 13	C42437	13 7	218-5201	9 10
C25542	9 4	C42440	9 12	218-5201	11 10
C25544	9 13	C42444	13 1	218-5201	13 10
C28105	7 9	C42452	11 2	219- 20	7 10
C28222	7 11	C42452	13 2	219- 20	9 14
C28222	7 6	C43747	15		
C28266	7 8	C43748	15 15		
C28320	9 1	C45490	11 6		
C28320	11 1	C46235	13 4		
C28320	13 1	C46237	13 5		
C28971	9 2	C46237	15 12		
C29431	9 9	C46265	13 6		
C29581	9 5	C46266	13 6		
C29581	11 5	C46323	17 1		
C29590	7 18	C46324	17 3		
C29625	9	083- 55	11 12		
C29693	7 10	083- 55	13 12		
C29769	17 4	111- 132	7 19		
C30053	9	111- 342	9 13		
C30562	7 8	111- 342	11 13		
C30766	5 16	111- 342	13 13		
C30768	5 17	111- 366	5 9		
C30926	7 12	111- 366	13 24		
C31215	9 14	111- 371	5 12		
C31215	11 14	111- 375	5 13		
C31215	13 14	113- 3	17 2		
C31452	9 5	113- 206	9 11		
C31497	5 3	113- 207	7 5		
C31500	5 4	113- 207	9 8		
C31501	5 5	113- 207	11 8		
C31502	5 1	113- 207	13 8		
C31505	5 18	113- 208	7 12		
C31560	9 12	113- 209	9 7		
C31566	9 8	113- 241	5 13		
C31572	9 10	113- 412	7 13		
C31606	5 6	113- 426	7 14		
C31608	5 8	113- 436	7 16		
C32199	9 12	129- 938	7 7		
C32327	17 1	131- C5	13 25		
C32535	9 6	131- 911	7 20		
C32536	9 2	131- 930	7 17		
C32743	7 15	131- 934	17 3		
C32744	7 9	131- 938	5 14		
C32751	9 7	131- 938	9 9		
C32753	7 3	131- 938	11 15		
C32756	7 1	131- 938	13 15		
C32759	5 21	131-1181	5 10		
C32784	7 2	131-1182	7 15		
C32785	7 18	131-1352	11 9		
C32788	7 1	131-1352	13 9		
C32789	7 2	132- 320	17 7		
C32790	7 3	187-1036	5 15		
C32791	7 4	187-1036	9 3		
C32965	17 4	187-1036	11 3		
C32966	17 5	187-1036	13 3		
C33209	7 16	192- 21	9 6		
C33210	7 17	195- 105	5 20		
C33404	11 23	195- 510	17 6		
C33404	13 23	195- 525	5 11		
C33560	11 20	195- 553	7 5		
C33560	13 20	195-2029	7 6		
C37187	11 17	210- 10	7 14		





1
2
3
4
5
6
7
8
9
10
11
12
13
14
15
16
17
18
19
20
21
22
23
24
25
26
27
28
29
30
31
32
33
34
35
36
37
38
39
40
41
42
43
44
45
46
47
48
49
50
51
52
53
54
55
56
57
58
59
60
61
62
63
64
65
66
67
68
69
70
71
72
73
74
75
76
77
78
79
80
81
82
83
84
85
86
87
88
89
90
91
92
93
94
95
96
97
98
99
100



1
2
3
4
5
6
7
8
9
10
11
12
13
14
15
16
17
18
19
20
21
22
23
24
25
26
27
28
29
30
31
32
33
34
35
36
37
38
39
40
41
42
43
44
45
46
47
48
49
50
51
52
53
54
55
56
57
58
59
60
61
62
63
64
65
66
67
68
69
70
71
72
73
74
75
76
77
78
79
80
81
82
83
84
85
86
87
88
89
90
91
92
93
94
95
96
97
98
99
100

