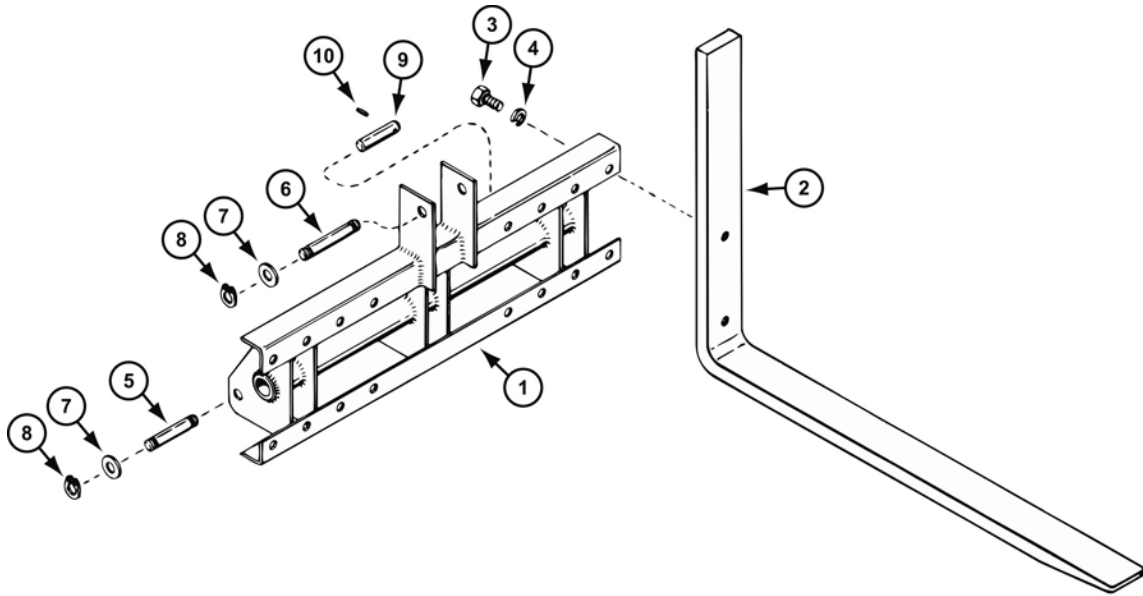


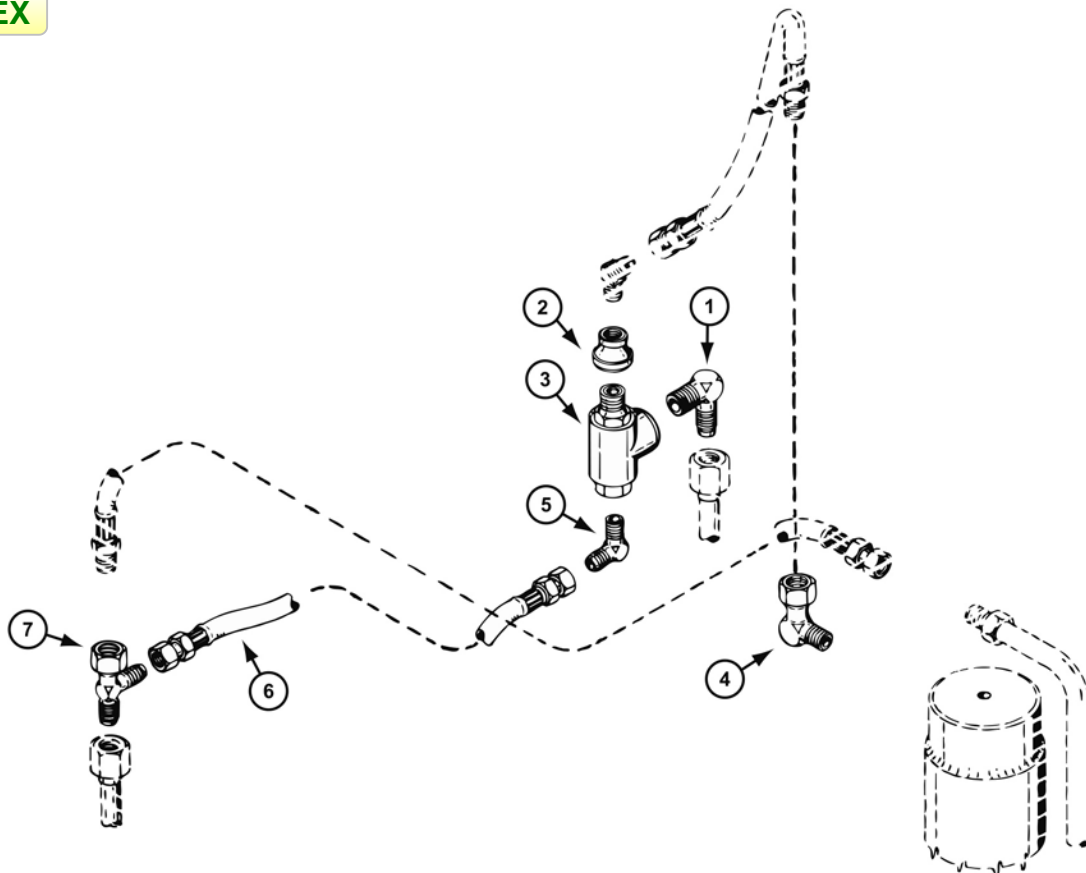
INDEX

LL20 FORK LIFT KIT (600, 6000 AND 7000 SERIES TRACTORS)



LL20 FORK LIFT CHECK VALVE HYDRAULIC COMPONENTS (LL21 VALVE KIT)

INDEX



**LL20 FORK LIFT
(600, 6000 AND 7000 SERIES TRACTORS)**

REF.	PART NO.	DESCRIPTION	REQ'D
1	C18637	FRAME ASSEMBLY - fork lift	1
2	C18641	TINE - fork lift	2
3	113-606	BOLT - 5/8" x 1-1/4" NC hex	4
4	192-25	LOCKWASHER - 5/8"	4
5	C17334	PIN - loader, 3-5/16"	2
6	C17336	PIN - loader, 4-3/4"	1
7	195-545	WASHER - 3/4" plain ZP	6
8	C28232	RING - retaining	6
9	C21963	PIN - cylinder lift	1
10	138-2005	PIN - 1/4" x 1"	1

**LL20 FORK LIFT CHECK VALVE HYDRAULIC COMPONENTS
(LL21 VALVE KIT)**

1	218-1054	FITTING - elbow 90° 3/8" NPT x 9/16" - 18 JIC	1
2	221-1348	CONNECTOR - reduction 1/4" x 1/2" NPT	1
3	C28274	VALVE - check	1
4	218-993	ADAPTER - swivel 90°	1
5	218-483	FITTING - elbow 90° 1/4" NPT x 9/16" - 18 JIC	1
6	C25168	HOSE - hydraulic	1
7	218-5222	FITTING - tee 9/16" - 18	1