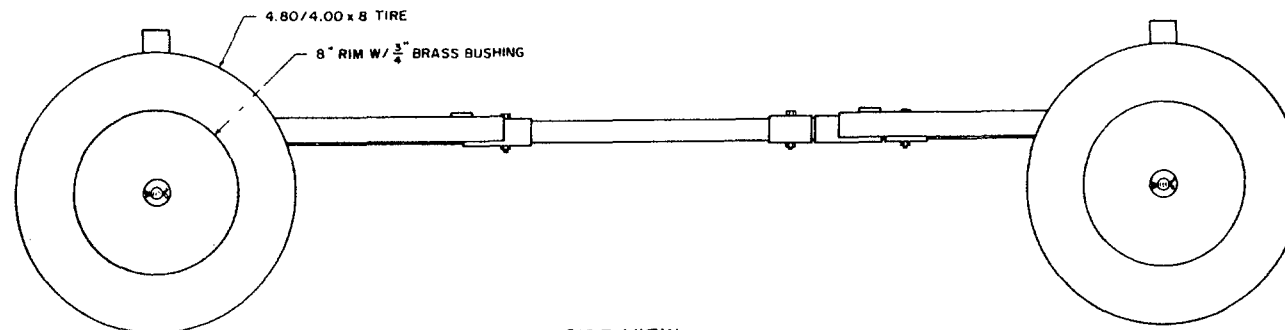


PT. NO.	MATERIAL	QTY
1	3/4 x 1 3/4 x 1/8 x 26 1/2 SQ. STEEL TUBING	
2	(3/4 x 1 3/4 x 1/8 x 30" SQ. STEEL TUBING	1
3	1 1/2 x 1 1/2 x 3/16 x 21" L-STEEL	4
4	1/4 x 1 1/2 x 5" STRAP STEEL	2
5	1 1/4 x 1 1/2 x 23" STRAP STEEL	2
6	1 1/4 x 1 1/2 x 5" STRAP STEEL	4
7	3/8 x 1 1/2 x 1 1/2 STRAP STEEL	12
8	1 1/2 x 1 1/2 x 2" SQ. STEEL	2
9	1 1/4 x 1" x 15" STRAP STEEL	2
10	1/4 x 1 1/4 x 5" STRAP STEEL	2
11	1 1/4 x 2" x 2 1/2" STRAP STEEL	2
12	3/8 x 2" x 5 1/4" STRAP STEEL	2
13	3/8 x 2" x 3 1/4" STRAP STEEL	2
14	1 1/4" PIPE - 4" LONG	3
15	1 1/4" PIPE - 2 1/2" LONG	2
16	1" PIPE - 60" LONG	1
17	1 1/4 x 1 1/2 x 6" STRAP STEEL	2
18	1/4 x 1 1/2 x 6 1/2" STRAP STEEL	
19	1 1/4 x 1 1/4 x 1/16 x 30" SQ. STEEL TUBING	
20	1 1/4 x 1 1/2 x 6 3/8" STRAP STEEL	
21	1 1/4 x 1 1/2 x 2 3/4" STRAP STEEL	2
22	1/4 x 2 1/4 x 2 1/2" STEEL PLATE	2
23	1 1/4 x 1 1/2 x 11" STRAP STEEL	1
24	1 1/2" DIA. x 3" LG COLD ROLLED - DRILL FOR 3/4" DIA. COLD ROLLED STEEL	2

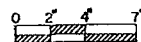
TOP VIEW

SCALE 3/16" = 1"



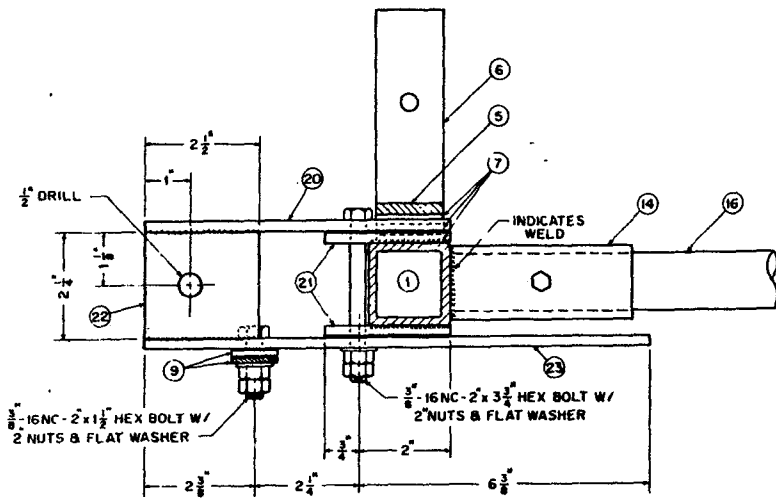
SIDE VIEW

SCALE 3/16" = 1"

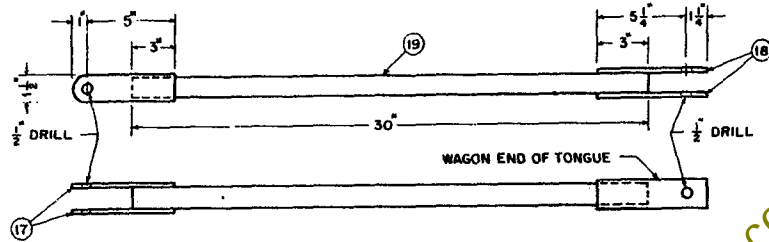


4-WHEEL LAWN & GARDEN TRAILER

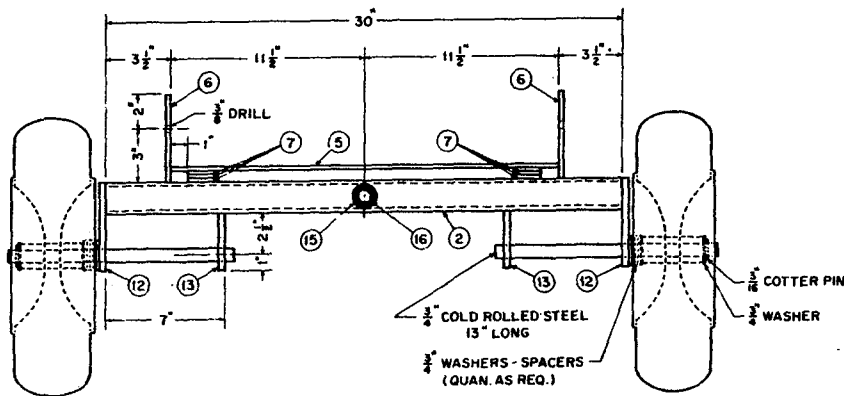
WV '84 6358 SHEET 1 OF 2



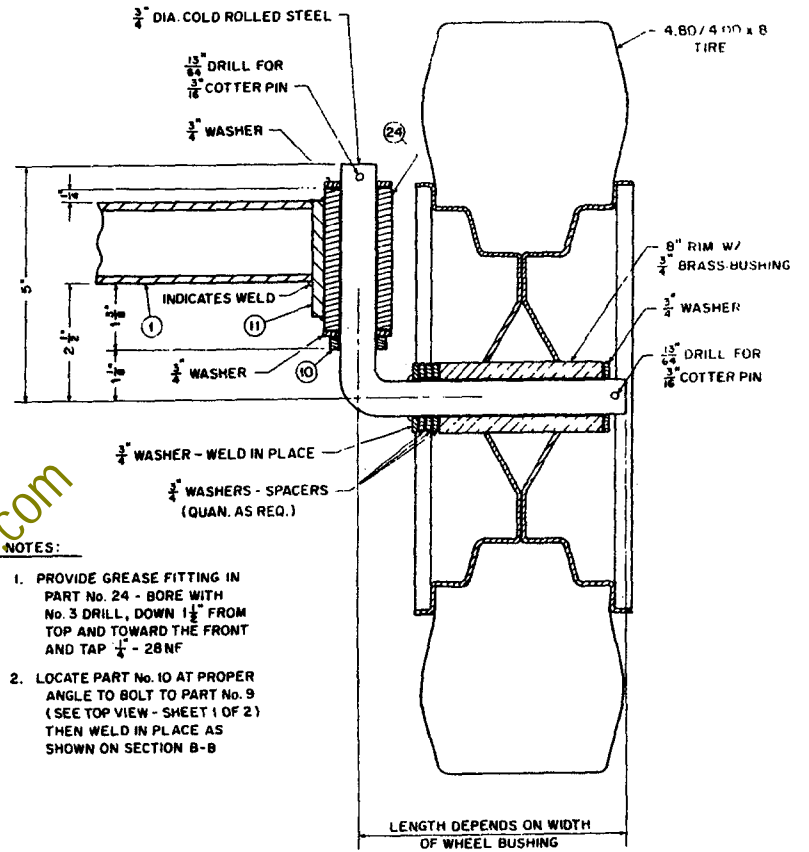
SECTION A - A SCALE: $\frac{1}{4}'' = 1''$



TONGUE DETAILS SCALE: $\frac{3}{16}'' = 1''$



REAR VIEW SCALE: $\frac{3}{16}'' = 1''$



SECTION B - B

SCALE: $\frac{1}{2}'' = 1''$

NOTES:

1. PROVIDE GREASE FITTING IN PART No. 24 - BORE WITH No. 3 DRILL, DOWN $1\frac{1}{2}''$ FROM TOP AND TOWARD THE FRONT AND TAP $\frac{1}{4}'' - 28\text{NF}$
2. LOCATE PART No. 10 AT PROPER ANGLE TO BOLT TO PART No. 9 (SEE TOP VIEW - SHEET 1 OF 2) THEN WELD IN PLACE AS SHOWN ON SECTION B-B

casescoltingersoil.com



4-WHEEL LAWN & GARDEN TRAILER

6358

SHEET 2 OF 2

Disclaimer

This site makes available conceptual plans that can be helpful in developing building layouts and selecting equipment for various agricultural applications. These plans do not necessarily represent the most current technology or construction codes. They are not construction plans and do not replace the need for competent design assistance in developing safe, legal and well-functioning agricultural building system. The LSU Agriculture Center, the Mid-West Plan Service, the United States Department of Agriculture and none of the cooperating land-grant universities warranty these plans.

casecoltingersoll.com