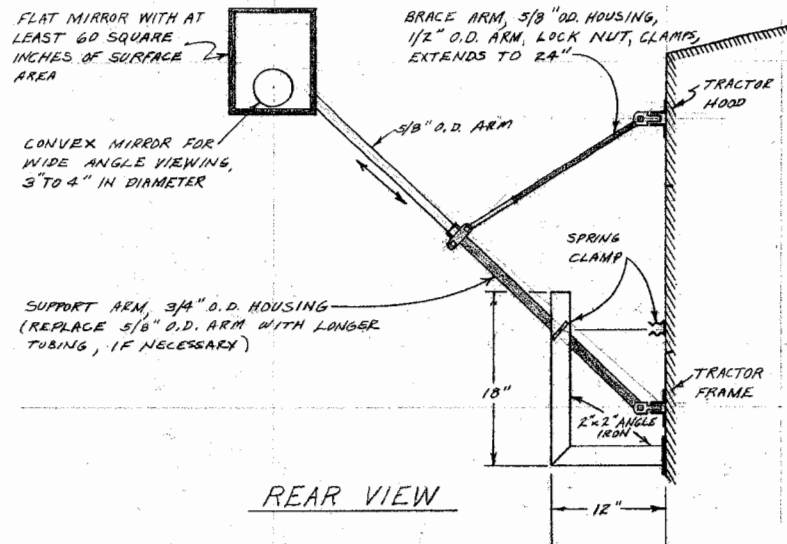
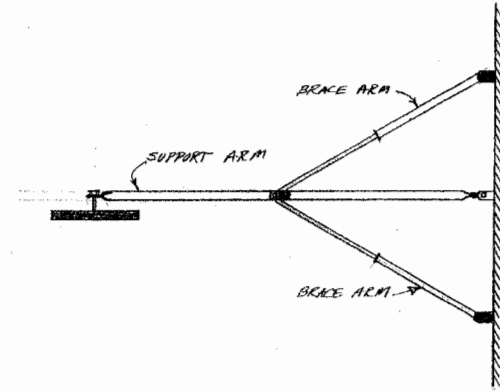


TOP VIEW

FLEXIBLE POSITION



REAR VIEW



TOP VIEW

RIGID POSITION

[SIMILAR TO FLEXIBLE POSITION EXCEPT 2 BRACE ARMS ARE USED & NO SPRING CLAMPS OR ANGLE IRON SUPPORT ARE USED.]



REAR VIEW MIRROR FOR TRACTORS

ENGINEER	HADDEN	SCALE	1.2" = 1/2"
DRAWN BY	HADDEN	SHEET	1 OF 1
TRACED BY		DATE	4/30/64 NO. 38-17

Disclaimer

This site makes available conceptual plans that can be helpful in developing building layouts and selecting equipment for various agricultural applications. These plans do not necessarily represent the most current technology or construction codes. They are not construction plans and do not replace the need for competent design assistance in developing safe, legal and well-functioning agricultural building system. The LSU Agriculture Center, the Mid-West Plan Service, the United States Department of Agriculture and none of the cooperating land-grant universities warranty these plans.