

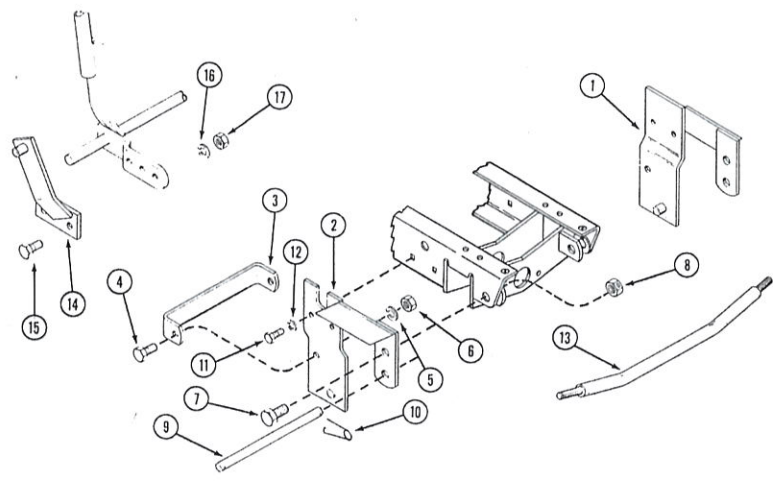


**Installation Instructions
and Parts List
for Adapter Kit
No. H39**

INSTALLATION INSTRUCTIONS AND PARTS LIST

Adapter Kit No. H39 for Mounting Model H84 Snow Blower, H44 and H46 Rotary Mowers and H54 Dozer Blade on Model 442 and 444 Compact Tractors below Serial Number 9646800.

IMPORTANT: Refer to supplement on last page.



Parts List Adapter Kit No. H39

<u>Ref. No.</u>	<u>Part No.</u>	<u>Description</u>	<u>Req'd</u>
1	C17687	Bracket - hitch L.H.	1
2	C17688	Bracket - hitch R.H.	1
3	C17694	Brace	1
4	113-424	Bolt - 1/2x1 nc hex	2
5	192-23	Lockwasher - 1/2"	2
6	129-105	Nut - 1/2" nc hex	2
7	113-602	Bolt - 5/8 x 1 nc hex	2
8	131-356	Nut - lock 5/8" nc hex	2
9	C17695	Rod - latch	1
10	C10898	Pin - Safety	2
11	113-207	Bolt - 3/8x1" nc hex	4
12	192-21	Lockwasher - 3/8"	4
13	C17710	Rod - tie	1
14	C17709	Bracket - lift arm	1
15	113-417	Bolt - 1/2 x 1 1/4" nc hex	2
16	192-23	Lockwasher - 1/2"	2
17	129-105	Nut - 1/2" nc hex	2

INSTALLATION

1. Remove the original tractor tie rod and install the special one, reference 13, with the bend downward as shown.

2. Attach the right and left hand hitch brackets, reference 1 and 2, to the tractor as shown using the four $3/8$ " x 1" hex bolts and lockwashers.

NOTE: If the tractor does not have weld nuts inside the frame mounting holes, use the alternate $3/8$ " x 1" square neck bolts, part number 111-362 in the kit.

3. Secure the hitch brackets to the front mounting holes in the tractor frame with the two $5/8$ " x 1" hex head bolts and lock nuts, reference 7 and 8.
4. Connect the brace, reference 3, to the rear of the hitch brackets as shown using the two $1/2$ " x 1" hex head bolts, nuts and lockwashers.
5. Secure the lift arm bracket, reference 14, to the tractor mechanical or hydraulic lift lever with the two $1/2$ " x $1\frac{1}{4}$ " hex head bolts, nuts and lockwashers. (Use only for snow blower or dozer blade)
6. Mount the "H" series rotary mower, snow blower or dozer blade according to the instructions furnished with the attachment. Use the latch rod, reference 9, and safety pins, reference 10, to connect the attachment mounting bracket to the tractor.

IMPORTANT: Tractors with Hydraulic Lift - When mowing or snow blowing, remove the "flotation pin" and release the lift lever as soon as the attachment reaches the ground.

SUPPLEMENT TO INSTALLATION INSTRUCTIONS FOR ADAPTER KIT
NUMBER H39

1. The brace, reference 3 (Part No. C17694) must be used with the Model H84 snow blower and H54 dozer blade but must be removed for use with the Model H44 and H46 rotary mowers.
2. H44 and H46 mower installation - when the mower is first installed, adjust the drive belt and run in the unit for approximately 30 minutes to take out initial stretch of the drive belt. Following the initial run in, readjust for proper drive belt tension.

19-99696
INSTALL. & PART H39 ADAPT. I
Z0302

