

**Ingersoll**

**SERVICE**

**ROUTING**

DEALER PRINCIPAL	SERVICE MANAGER	PARTS MANAGER	MECHANICS	REFERENCE FILE

99-1

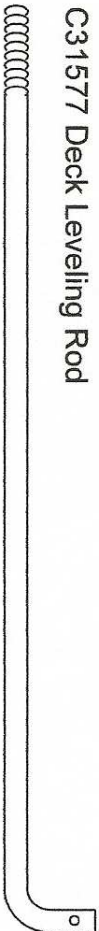
Bulletin Number

10/01/99

Date

# SERVICE BULLETIN

**SUBJECT:** C31577 Deck Leveling Rod

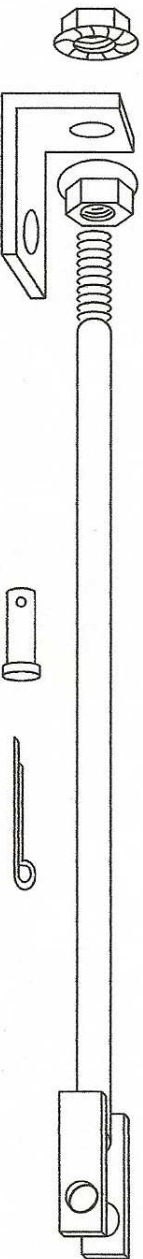


**MODELS INVOLVED:** RM44 AND RM48 MOWER DECKS

**PARTS INFORMATION:**

Part #	Desc.	List Price
C47195	Leveling Rod Kit	\$22.75

The C31577 leveling rod is no longer available and has been replaced by C47195 leveling rod kit. This kit includes the C47007 leveling rod, C47010 bracket, (2) 7/16 - 14, grade 5 whiz lock nuts, 3/8 x 1" clevis pin and cotter pin.



**CORRECTIVE PROCEDURE:**

Please note the above sub and price information in the Parts Price and Substitution Book 99-3 for future reference.



SERVICE

ROUTING

DEALER PRINCIPAL	SERVICE MANAGER	PARTS MANAGER	MECHANICS	REFERENCE FILE

99-2

Bulletin Number

10/01/99

Date

# SERVICE BULLETIN

**SUBJECT:** RM SERIES DECK SHELL REPLACEMENT

**MODELS INVOLVED:** RM38 deck shells prior to PIN # 010308055 Part #C31507  
RM44 deck shells prior to PIN # 010307024 Part #C31526  
RM48 deck shells prior to PIN # 010307021 Part #C31535

**PARTS INFORMATION:** The older style deck shells with the part numbers above are no longer available. In order to properly substitute a direct shell replacement, first determine if the customer has ever had a newer style suspension kit, C44689, installed for his mower deck.

**CORRECTIVE PROCEDURE:** Determine if the suspension kit has been installed:

**If the C44689 kit has been installed:**

The *bellcrank leveling rod* is welded onto the nose of the deck. The leveling bellcrank is free to rotate on the rod as shown in figure 1.

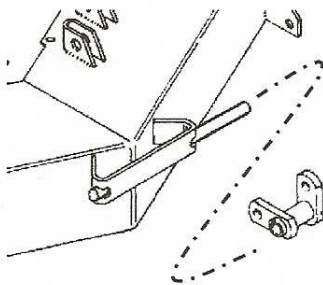


Figure 1

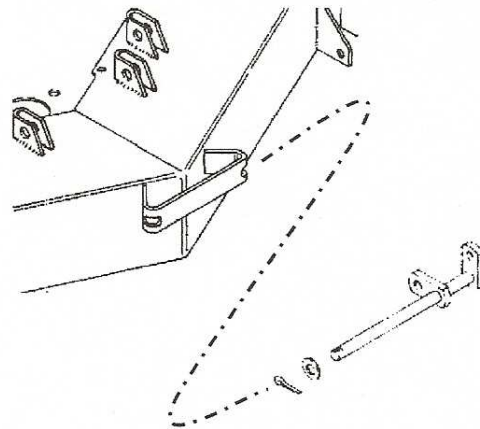


Figure 2

**If the C44689 kit has not been installed:**

The bellcrank leveling rod will be slid into the nose of the deck and is secured with a cotter pin and washer. The rod will be free to rotate in the nose of the deck as shown in figure 2.

Over...

Continued:

99-2

Bulletin Number

8/5/99

Date

For deck shell replacement, order the correct part number indicated below:

Mower Deck Model	Kit Previously Installed	Kit Not Installed
RM48	C44661 Shell, New Style	C44876 Kit
RM44	C44659 Shell, New Style	C44875 Kit
RM38	C44657 Shell, New Style	C44874 Kit

**NOTE:** This bulletin is for informational purposes only. This is not a mandatory service change.