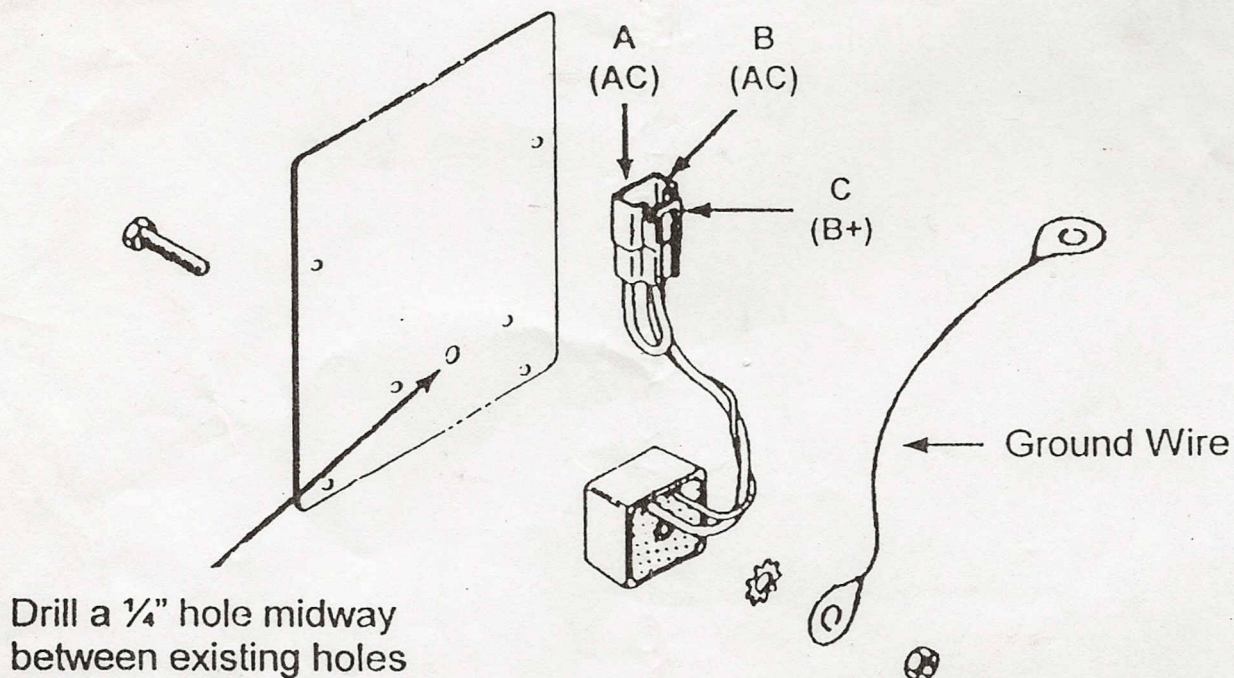




## INSTALLING C27509 RECTIFIER REGULATOR IN PLACE OF C21945

1. Disconnect the battery negative (-) terminal.
2. Remove the old rectifier-regulator.
3. Remove the two white wires from the wiring harness connector and insert them in the "A" and "B" positions in the new connector.
4. Remove the red wire from the wiring harness connector and insert the red wire in the "C" position in the new connector. Discard the old connector.
5. Drill a 1/4" diameter hole in the access panel midway between the two existing holes.
6. Put the bolt through the access panel from the outside in.
7. Place the rectifier-regulator on the bolt with its metal side tight against the inside of the access panel.
8. Place the star washer on the bolt and place one end of the ground wire on the bolt.
9. Install and tighten the nut.
10. Position the new ground wire around the front left corner of the hydraulic reservoir and connect to the battery negative terminal.
11. Reinstall the rear access cover.

### C31249 Rectifier Kit



Form # 8-55161